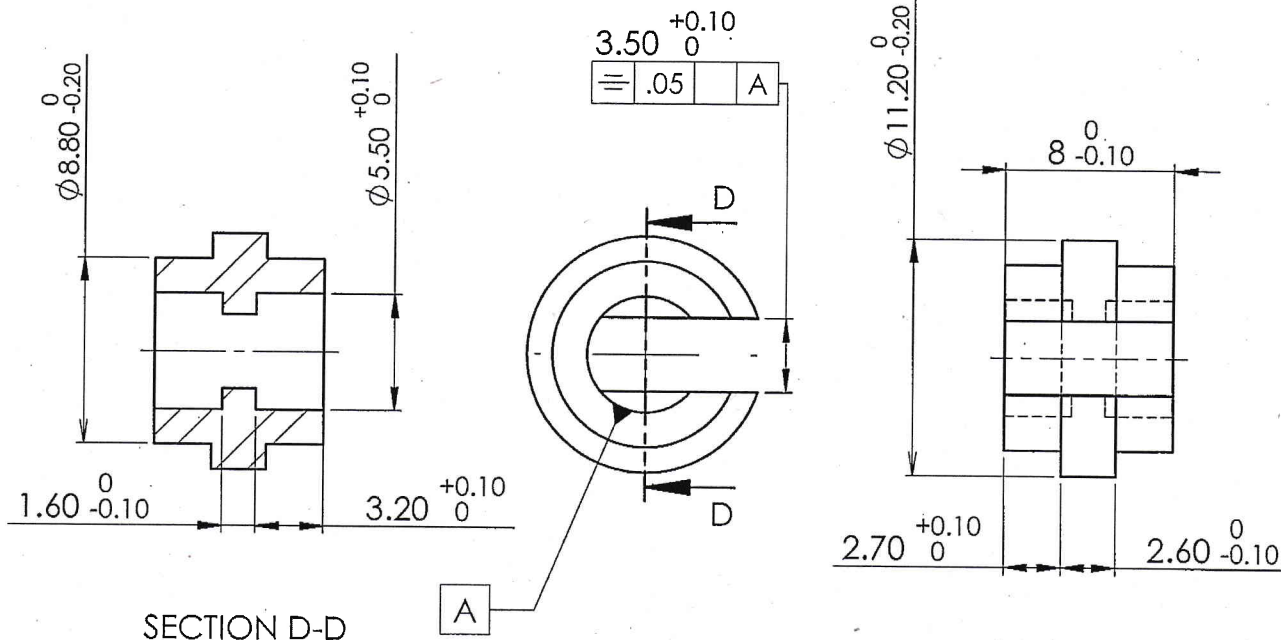
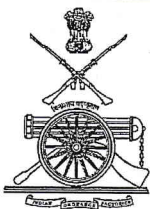


DRG. NO.

DIMENSIONS ARE IN mm.

UNTOLERATED DIMNS. AS PER IS : 2102 (MED)

MARK DRAWING No.



SECTION D-D

Material : MIM S7

Hardness: 340 - 400 HV

Protective Finish : Black Oxide Coating

MIM S7 Composition

Element	C	Mn	Si	Cr	Ni	Mo	S	P
Min (%)	0.45	-	0.2	2.5	-	1.0	-	-
Max (%)	0.7	0.5	1.0	3.5	0.3	1.8	0.05	0.05

CERTIFIED CORRECT COPY
 OF APPROVED DRAWINGS
 AT THIS DATE
 Design & Development Office,
 Ordnance Factory,
 Tiruchirappalli-620016

UN CONTROLLED COPY

AMENDMENTS	SIG. & DATE	SIGNATURE & DATE.	SUB: Front Guide Retainer FOR: Recoil Mech Assy K-2030 OF: TRICHY ASSAULT RIFLE DES. REF. NO. K-2033 DRG. No.: MIM-K-2033-00	SCALE NTS
	TRACED			QPG 1
	DRAWN	<i>[Signature]</i>		Weight(g) 2.69
	CHECKED			SHEETS: 1
	OIC/D&DO	<i>[Signature]</i>		SHEET No.: 1
OFFICER/PRODN.		APPROVED ON. /12/2020	ORDNANCE FACTORY TIRUCHIRAPPALLI-16.	
DIV. OFFICER/D&DO	<i>[Signature]</i>			