

1 2 3 4

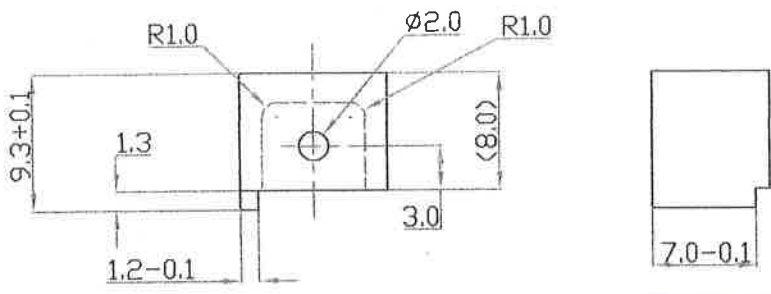
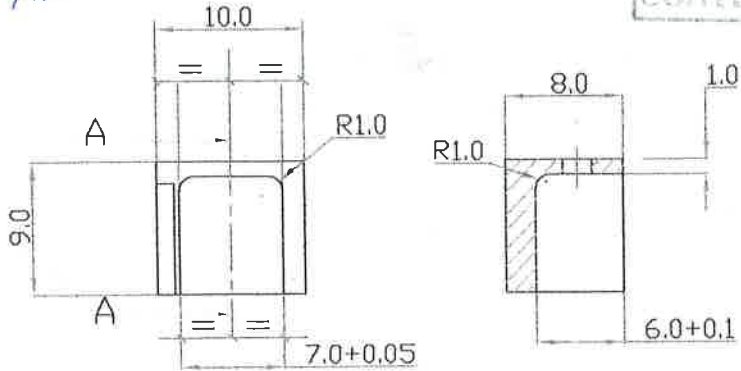
ISS C A AA S SS IC DRG.No. 020400DF 0302182900400DF

GEN TOL FINE/MEDIUM/COARSE CLASS TO IS:2102

DRG CONVENTIONS CONFIRM TO INDIAN STD DIMN IN mm UNLESS OTHERWISE STATED

*Received on 29/11/15*

CONTROL COPY No. 00



*Def verified on 17/3/16*  
*[Signature]*

CONTROL COPY No. 1

- NOTES: 1) REMOVE ALL SHARP EDGES AND BURRS  
 2) HEAT TREATMENT: CASE HARDENED TO A DEPTH OF 0.13 TO 0.26  
 3) HARDNESS: 500-550 HV  
 4) ALT.MATERIAL : MIM 9310 (AISI 9310 EQUIVALENT)  
 HARDNESS:500-600HV, CASE DEPTH-0.1 TO 0.3mm

5	18/11/15	M/29	ALT.MATERIAL MODIFIED	D-1,2
4	17/8/15	M/28	DIMN.7.0+0.05 WAS 6.5+0.1 R1.0 & R0.5 ADDED	B-2 B,C-3
3	14/7/15	M/27	ALT.MATERIAL ADDED	D-1,2
2	22/5/15	M/26	VIEW CORRECTED	C-3
1	10/4/14	M-22	DIMN. 6.5+0.1 WAS 7.0+0.1	B-1

S No	DATE	AUTHORITY	BRIEF RECORD	ZONE	CD	GO
					SIGN	

DRN	RGN	CHD	MATERIAL:
		<i>Moulik?</i>	STEEL TO IS: 4432-1988, Gd 13Ni13Cr3 (En-36B)

APPD	DATE	SEALED	PROTECTIVE FINISH: PHOSPHATED TO SPECN. IS:3618-1966, CLASS 'B'
	18/11/2015	<i>[Signature]</i> For Director	

SCALE	EST MASS	TITLE
2:1		HOUSING PLUNGER

DESIGN AUTHORITY	
ARDE	
PUNE 411021	

DRG.No. 02040302182900400DF  
 IC SS S AA A C SST

PART No DS CAT No AHSP

1 2 3 4