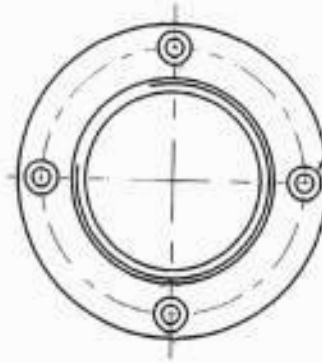


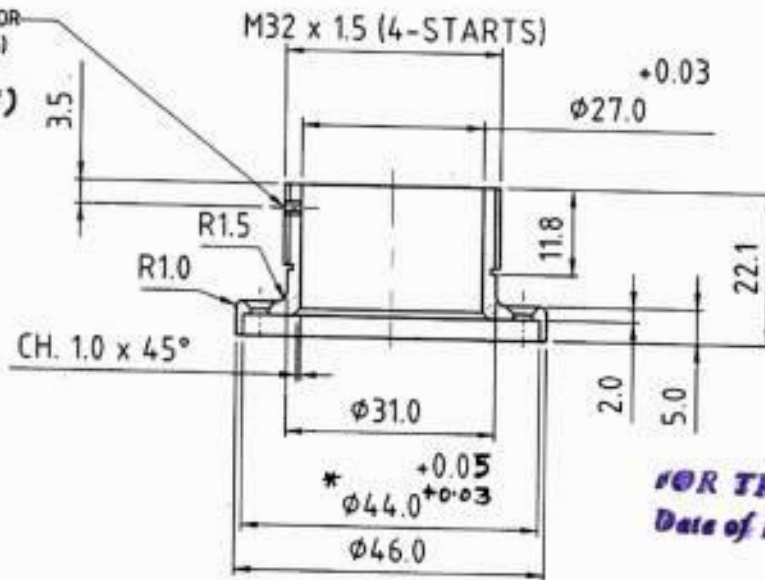
# MODIFIED PASSIVE NIGHT SIGHT FOR 12.7 A.D. GUN

## HOUSING, E.P.

ORDNANCE FACTORY, DEHRADUN.



\* TAPPED HOLE M2.2 FOR GRUB SCREW (BRASS) SIZE M2.2 x 2.2 (CWC-229/78)



FOR TRADE ONLY  
Date of Issue: 12.02.17

MATL. & SPECN. :- AL. ALLOY 24345-WP TO IS- 733-1983

FINISH:- ANODISED DULL BLACK,

EXTERNAL SURFACE TO BE DULL BLACK POWDER COATED

DIMENSIONS ARE IN M/M.  
IMPORTANT DIMENSIONS MARKED THIS ●  
INFORMATION MARKED THIS † TO BE MARKED ON.

	DR. - P.C. SINGH	DT. 07-10-10	SCALE - 1:1
	TR. -	MATL. AS ABOVE	TREAT. AS ABOVE
* D.A. No 2/2013 DT. 4/2/2013	CH.	SHEETS-1	SHTS.-1
* D.A. No.10/2014, DT.24.7.2014	APPROVED.	DRAWING NO - CWC-229/32/2	
AMENDMENTS.	(A. JAY SINGH) JWM/DO.		
OFD/DO/002	(T. KHATTERI) JWM/P.		