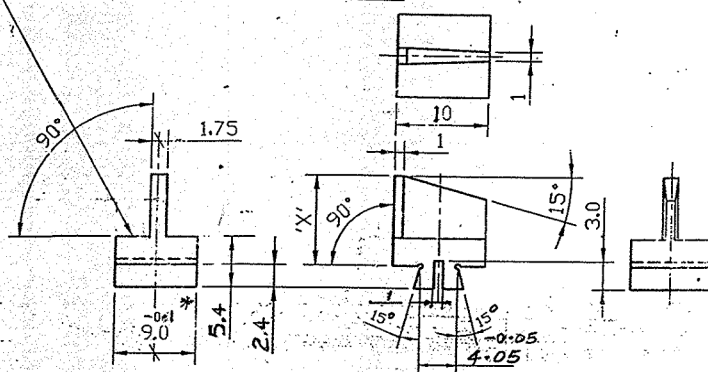


	DIMN. AT 'X'	± 0.05
0+3	9.65	
0+2	9.25	
0+1	8.85	
0 N	8.45	
0-1	8.05	
0-2	7.65	

DIMENSIONS ARE IN mm.
 UNTOLERATED DIMENSIONS AS PER IS:2102 (MED)

INFORMATION TO BE STAMPED
 ON THIS FACE 1.5 SIZE OF STAMP



NOTE :- FOR IDENTIFICATION OF COMPONENTS TO SIZE 0+3,
 0+2, 0+1, 0N, 0-1, 0-2 TO BE STAMPED ON COMPTS.

FINISH: PHOSPHATE TO SPECN. WPN/GEN/3
~~WITH SPIRIT STAIN OIL BLACK~~

* CENTER OFF SET - 0

PART NO.	DESCRIPTIONS	NO OFF	MATERIAL	TREATMENT	REMARKS
			BS 970 EN 8		
	SIGNATURE & DATE:	SUB: BLADE FORE SIGHT			SCALE 2:1.
	TRACED	FOR: .315" SPORTING RIFLE			STORE DRG. NO.
	DRAWN	OF:			-
	CHECKED	DES. REF. NO. SP-4			OPERATION NO.
	VOIC/D&DO	DRG. No.: 29 P 0004*			-
	OFFICER/PRODN.	ORDNANCE FACTORY TIRUCHIRAPPALLI-16.			SHEETS: 01
	OFFICER/D&DO				SHEET No.: 01
AMENDMENTS	SIG. & DATE	APPROVED ON: 10/04			

DA NO.
 899614/00010
 DT-29-5-09

WGS