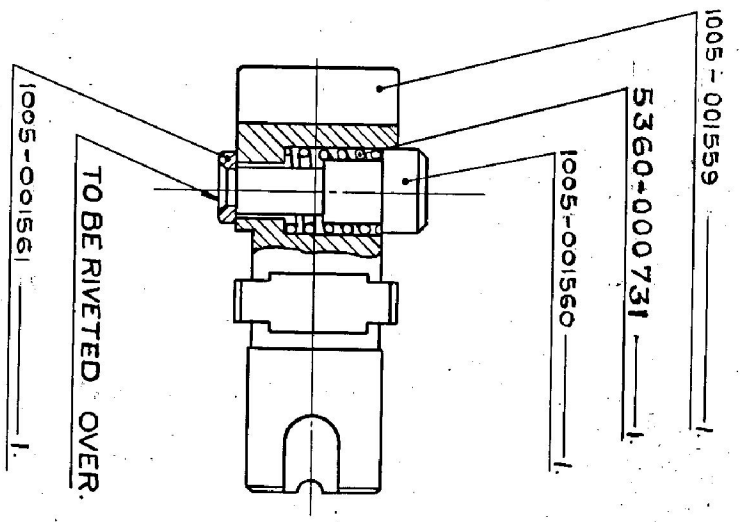


DS. CAT. NO. 1005-001558
 FOR EXPLANATION SEE D.D. NOTE SHEET No. 3.
 THIRD ANGLE PROJECTION. DIMENSIONS ARE IN MILLIMETRES.



METRIC

1369815640-SA		D S CAT NO. AMENDED		ASSY DRG: 1005-001504	
1427/15027-5A		DRG. SEALED		INSR INSTRS.:	
DATE	AUTHY:	ZONE	NATURE	SIG.	APPROVED
SEALING: D. C. (U) 15027-5A, DT. 14.2.77			AMENDMENTS		
MATERIAL:-					
PROTECTIVE FINISH:-					
ESTIMATED WEIGHT:-					
SCALE:- 2/1					
PLUG GAS CYLINDER ASSLY.			CISA ICHAPUR		