

MACHINE TOOL PROTOTYPE FACTORY, AMBARNATH

|                      |                |  |                 |   |                 |
|----------------------|----------------|--|-----------------|---|-----------------|
| <b>M.P.F.</b>        |                | <b>PART LIST : 125mm SEMI CMB. CRTDG. CASE</b> |                 | <b>ORDER NO.</b>  | <b>SHT. NO.</b> |
| <b>AMBARNATH</b>     |                | <b>GROUP : WINDING M/C.</b>                    |                 |   | <b>73</b>       |
| <b>AMBARNATH</b>     |                | <b>SUB GROUP : CUTTER UNIT ASSY.</b>           |                 | <b>ASSY. DRG. NO.</b>   |                 |
|                      |                |  |                 | <b>VMT - SK - 119 - 11300-41</b>                                |                 |
| <b>PART NO.</b>      | <b>NO. OFF</b> | <b>DESCRIPTION</b>                             | <b>MATERIAL</b> | <b>REMARKS</b>  |                 |
| <b>VMT. SK. 119.</b> |                |  |                 |   |                 |
| 11301-13             | 1              | PLATE  | 40C8 1S:5517    | <div style="text-align: center;"> <p>WELDED TOGETHER</p> </div> |                 |
| 11302-14             | 2              | COUPLING                                       | 40C8 1S:5517    |   |                 |
| 11303-14             | 1              | TUBE   | 40C8 1S:5517    |   |                 |

CHD. BY NATH AK      SIG.   
 DATE

APPROVED *Jb*

MACHINE TOOL PROTOTYPE FACTORY, AMBARNATH

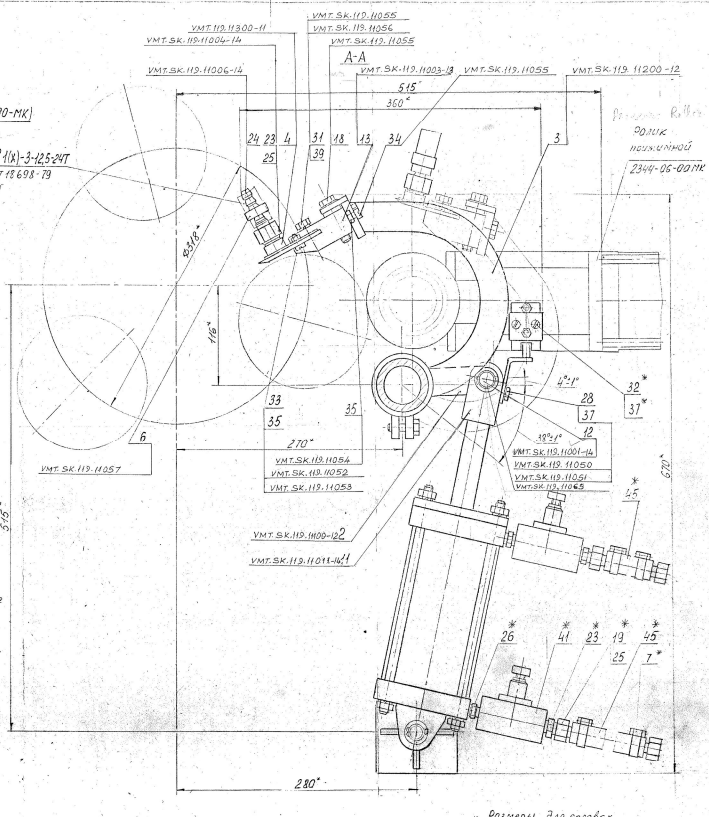
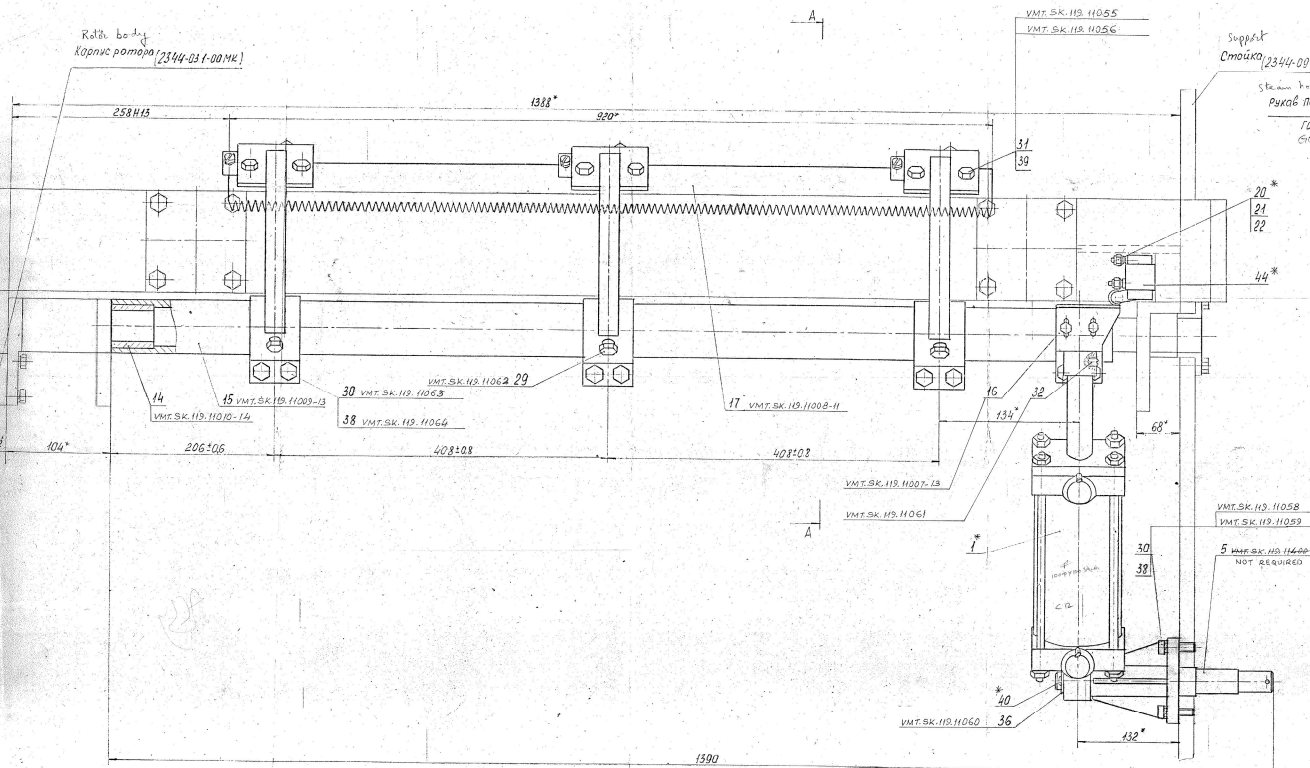
| M.P.F.     |         | PART LIST : BRACKET FOR C12 CUTTER CYL |              | ORDER NO.            | SHT. NO. |
|------------|---------|--|--------------|----------------------|----------|
| AMBARNATH  |         | GROUP : WINDING M/C                    |              | 74A                  |          |
|            |         | SUB GROUP : CUTTER ASSY                |              | ASSY. DRG. NO.       |          |
|            |         |  |              | VMTSK.119.11500 - 43 |          |
| PART NO.   | NO. OFF | DESCRIPTION                            | MATERIAL     | REMARKS              |          |
| VMT.SK.119 |         |  |              |                      |          |
| 11501-13   | 1       | 'H' PLATE                              | IS:5517-40C8 | } E-WELDED           |          |
| 11502-13   | 1       | 'V' PLATE                              | IS:5517-40C8 |                      |          |

APPROVED: *[Signature]*

CHD. BY  
DATE

SIG. *[Signature]*

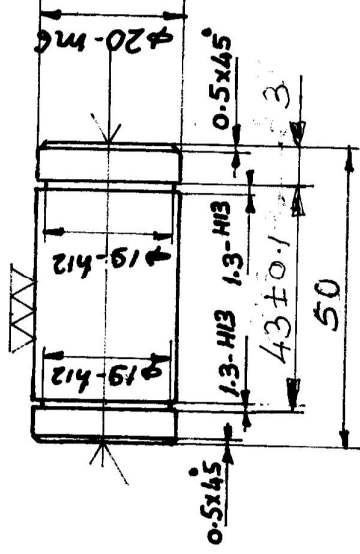
Роль body  
Корпус насоса [2344-05-00-11]



NOTE:- COMPONENTS MARKED \* THIS HAVE BEEN MENTIONED IN PNEUMATIC CIRCUIT DIAG.

1st. ANGLE PROJECTION

|                             |                  |                     |        |
|-----------------------------|------------------|---------------------|--------|
| DRG. NO. VMT.SK.H9.11000-11 | AUTHENTICATED BY | 2344-13-00-MK C5    | DATE   |
| CUTTER UNIT ASSY.           | SUPPORTED BY     | Узел насоса         | 41     |
| 125 mm SCCC                 | ASSEMBLY DRAWING | Оборудования насоса | 58 1-2 |
| WINDING M/C                 |                  | Ан чертеж с. 12     | 7      |
| C 12                        |                  |                     | 2/5/81 |



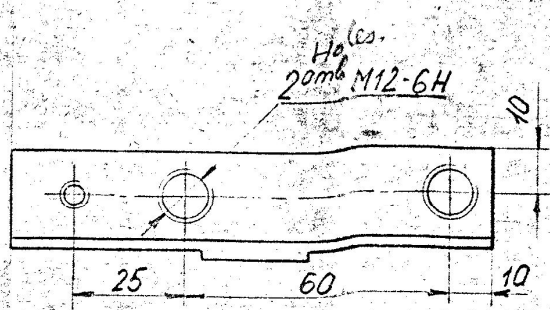
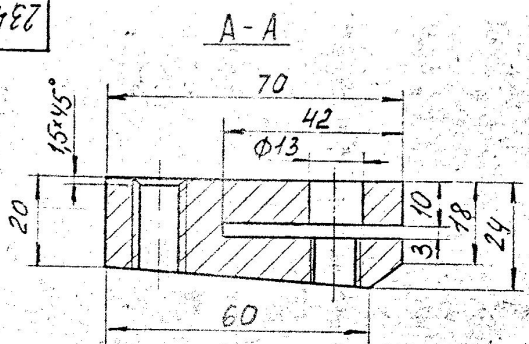
**TOUGHENED**

**RC: 28-32**



|   |   |                                  |
|---|---|----------------------------------|
| 2   | PIN   | IS: 5517-40Ni6Cr4Mo3 (C-65)      |
| संख्या<br>NO. OFF   | विवरण<br>DESCRIPTION                                      | पदार्थ<br>MATERIAL               |
| सामान्य सहिष्णुता<br>GENERAL TOLERANCE  | संख्या<br>NO. OFF   | पुंजी क्र.<br>PART NO.           |
| रेखक परिमाण<br>LINEAR DIMENSION   | संबंधित पुंजीका आरेखण क्र.<br>DRG. NO. OF ASSOCIATED PART | सूचक<br>INDEX                    |
| 0-6 ±0.1  | संख्या<br>NO. OFF   | संशोधन<br>ALTERATION             |
| 6-30 ±0.1   | 1-10 ±0.10  |                                  |
| 30-120 ±0.2   | 10-50 ±0.20   |                                  |
| 120-315 ±0.3  | 50-100 ±0.30  |                                  |
| 315-1000 ±0.5   | > 100 ±0.50   |                                  |
| 1000-2000 ±1.2  |   |                                  |
| कोणिक परिमाण<br>ANGULAR DIMENSION   | मापक मूल्य, मि.<br>VALUE IN "UM"                          |                                  |
|   | ~ > 38  |                                  |
|   | 6-38  |                                  |
|   | 18-38   |                                  |
|   | 0.025-18  |                                  |
|   | 0.025-18  |                                  |
|   | 0.025   |                                  |
| 1.3- H13  | +0.140  |                                  |
| 19- h12   | -0.120  |                                  |
| 20- m6  | +0.021  |                                  |
|   | +0.008  |                                  |
| सूचक व अन्वयोजन<br>NOMINAL SIZE & FIT   | विवरण<br>DEVIATION  |                                  |
| <b>PIN</b><br><b>125MM.S.C.C.C. WINDING M/C</b><br><b>CUTTER ASSY.</b>  |   |                                  |
| मापमान SCALE: 1:1<br>आरेखित ड्राउन DRAWN: 10.4.4<br>चेक किया CHECKED: 10.4.4<br>अनुमोदित APPROVED: 10.4.4   |   | दिनांक DATE: 10.4.4<br>नाम NAME: |
| आरेखण क्र. DRAWING NO.: VMT-SK-119-11001-14<br>कार्यालय OFFICE: VMT<br>मशीनी आकार आधिकारिक फेक्टरी, अम्बरनाथ<br>MACHINE TOOL PROTOTYPE FACTORY, AMBARNATH |   |                                  |

2344-13-03 MK



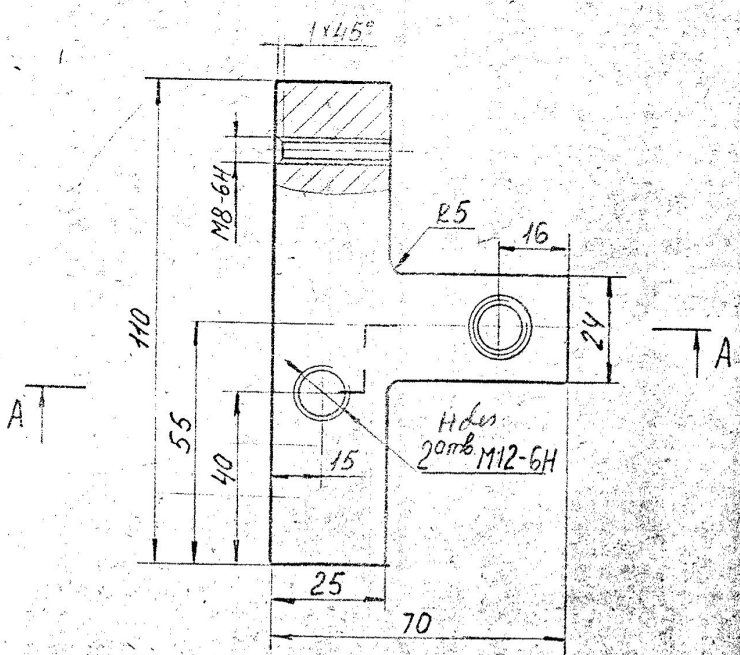
Rz40

Holes  
20mm M12-6H

Предельные отклонения размеров  
отверстий - по H14, валов - по h14, остальных - по  $\frac{IT14}{2}$

Limit <sup>size</sup> deviations for:

Holes - as per H14, shafts - as per h14,  
others - as per  $\frac{IT14}{2}$ .



Holes  
20mm M12-6H

|                                  |                       |
|----------------------------------|-----------------------|
| DRG. NO. VMT. SK. 119. 11003-13  | AUTHENTICATED         |
| HOLDER                           | BY <i>[Signature]</i> |
| NO. OFF. 3, MATL. BRASS IS. 4170 | SUPPORTED             |
| CUTTER UNIT ASSY.                | BY <i>[Signature]</i> |
| 125mm SCCC WINDING M/C           |                       |

И.к. проект  
Подоб и форма  
Состав и № докум  
Подоб и форма

|                      |  |                     |  |       |       |         |
|----------------------|--|---------------------|--|-------|-------|---------|
| 2344-13-03 MK        |  | Державка<br>HOLDER. |  | Мум   | Масса | Масштаб |
| 1st ANGLE PROJECTION |  | 163 ГОСТ 15527-70   |  | 4     | 0,85  | 1:1     |
|                      |  |                     |  | лист  | лист  | 1       |
|                      |  |                     |  | 9/937 |       |         |