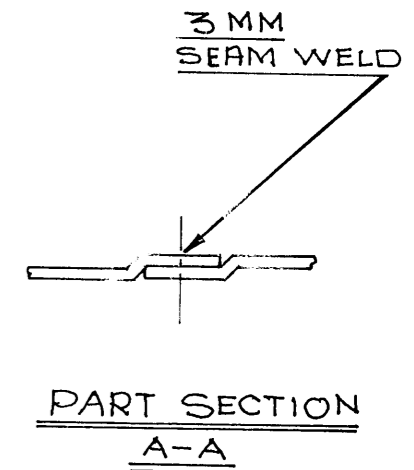
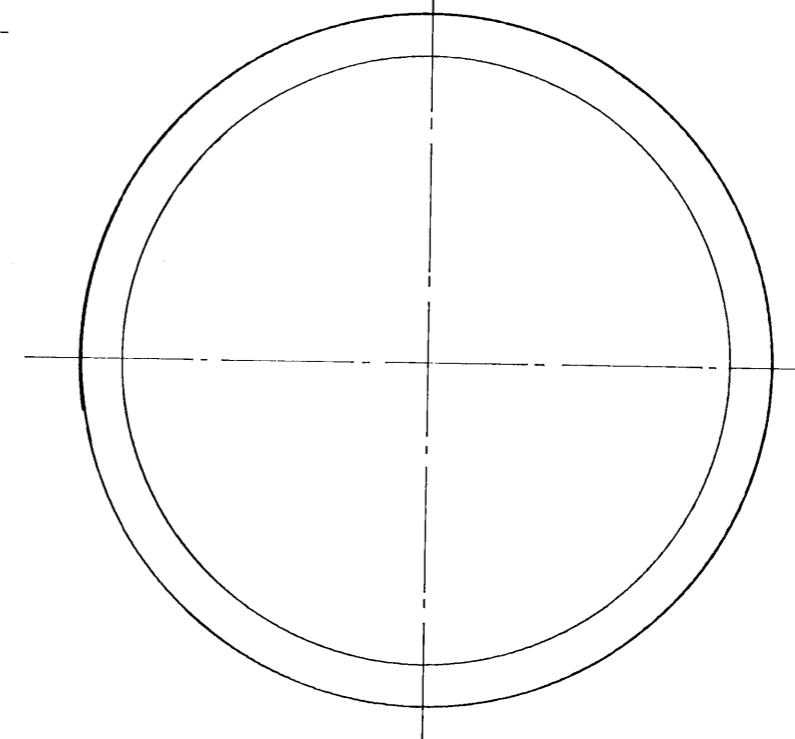
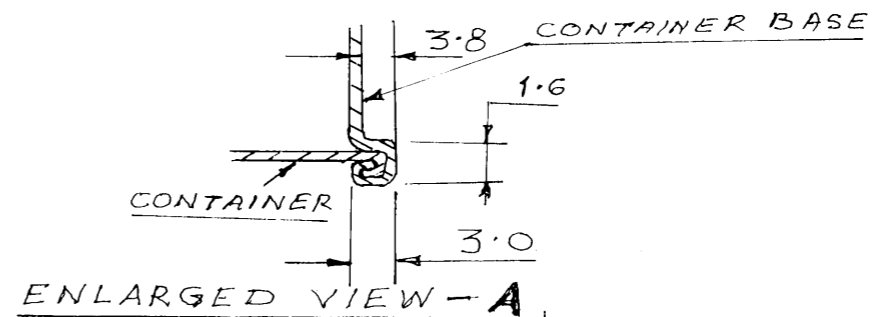
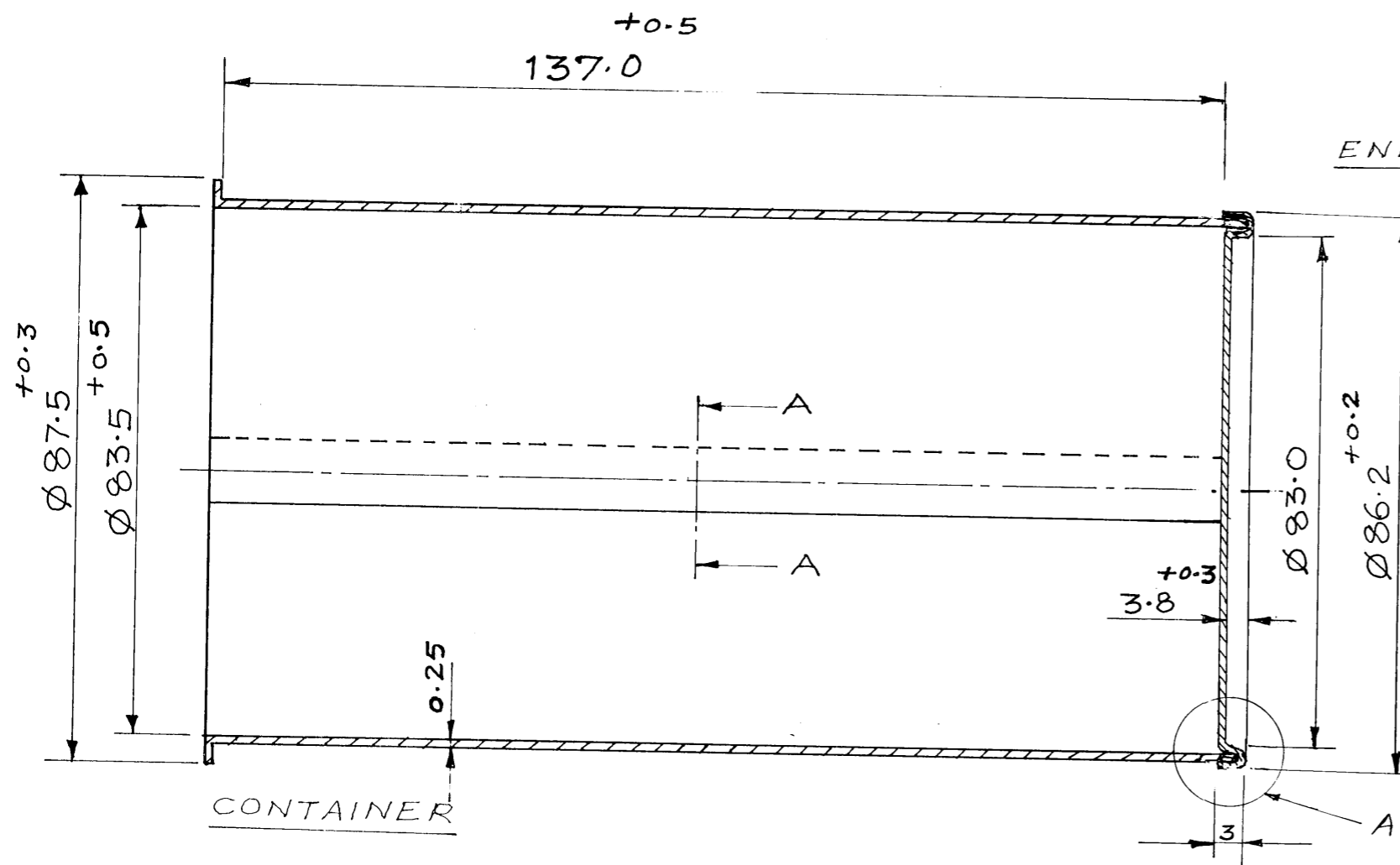


GEN. TOL. MEDIUM CLASS TO IS: 2102

1



MATERIAL :-
 TIN PLATE - TO IS-513. (0.25 thick)
 CONTAINER TO BE LACQUERED.
 NOTE

NOMENCLATURE AND INSTRUCTIONS FOR USE TO BE
 SCREEN PRINTED OR OFF-SET PRINTING IN SIGNAL RED
 COLOUR, ON BODY PAINTED LIGHT YELLOW, [Shade No 637]
 COLOUR AS PER DRG. NO OFDR/CT/29/A4.

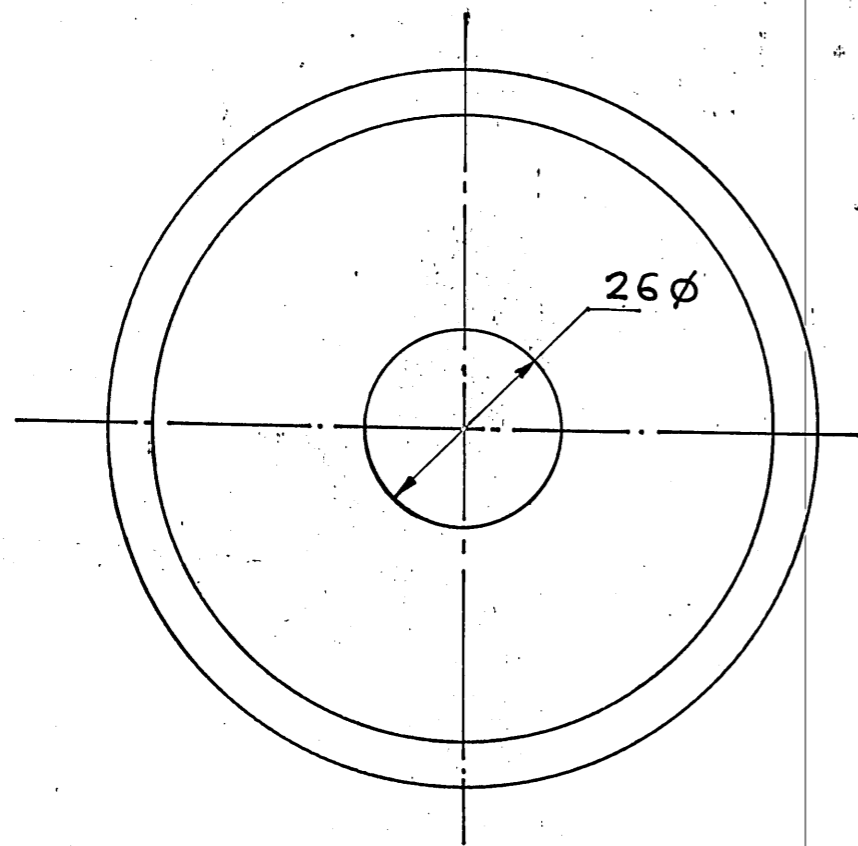
5-3-99	103	CONTAINER LENGTH AMENDED. FOR - 135.0 ^{+0.5} READ:- 137.0 ^{+0.5}	DGM/TS AUTH. SIGN.
DATE	AMDT. NO	AMENDMENT DETAILS	

DRG SEALED DT 19-12-96 DGM/QC

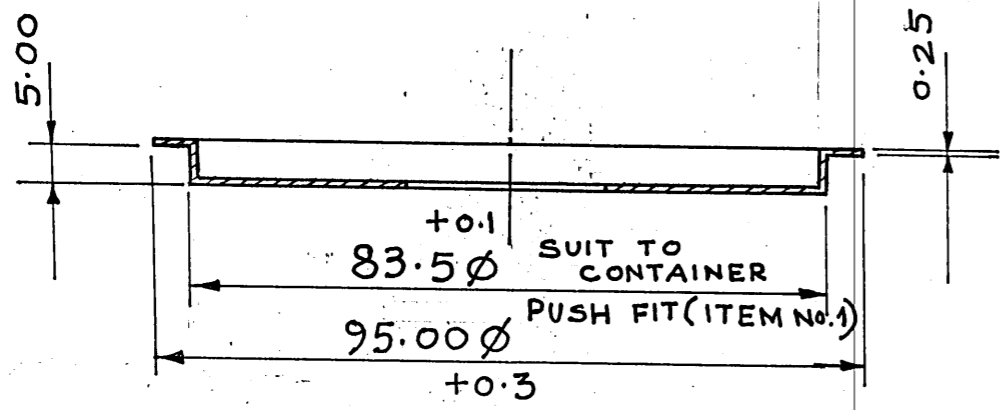
23-6-99	Length change. OLD - 165 ^{+0.5} NEW - 135 ^{+0.5}	Date 93.6			
DATE	LOCN	BRIEF RECORD	SIGNR	DRN	PATOLE 17/3/94
ALTERATION				TRD	
MATERIAL AS ABOVE		ORDNANCE FACTORY DEHU ROAD		APPD.	
SCALE 1:1		CONTAINER		DIV. OFFR D.O.	
FOR - BUOYANT, SMOKE ORANGE		SECTION U-IV		F/MAN D.O.	H. K. Kade
				F/MAN U-IV	P. B. Sonar
				DRG. NO	OFDR/CT/1/m/1/A3

GEN. TOL. MEDIUM CLASS TO IS: 2102.

5



MATERIAL:-
TIN PLATE - TO IS - 513 (0.25 mm THICK)
LID TO BE LACQUERED.



44

DRG SEALED DT 13-12-96 DGM/QC
 * SHARP CORNER TO BE REMOVED.
 * ALL DIMENSIONS ARE IN mm
 * GEN. TOL. MEDIUM CLASS TO IS: 2102

RE-TRACED		bale	
DATE	LOCN.	SIGN.	DRG.
ALTERATION		TRD	PATOLE 12-10-95
MATERIAL AS ABOVE	ORDNANCE FACTORY DEHUROAD	CHD	CTC 18-10-95
SCALE 1:1		APPD	bale
ROUGHNESS 25, 6.3, 0.8, 0.1	LID FOR CONTAINER	DIV. OFFR. USER SECT.	bale 18/10/95
FOR - BUOYANT, SMOK ORANGE		DIV OFFR. D. O.	82
	SECTION U-VV	F/MAN D. O.	
		DRG No. OFDR/CT/5/M1/A3	