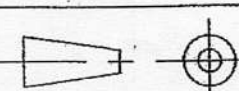


ITEM NO.	NOMENCLATURE	DRG.NO.	QTY.	MATERIAL	SHEET SIZE
	CONNECTOR ASSY	OLF/R&D/RDS/001-04			A4
		SUB ASSEMBLY			
①	ADAPTOR ASSY	OLF/R&D/RDS/001.04.01	02		A4
②	SCREW ASSY	OLF/R&D/RDS/001.04.02	02		A4
		COMPONENTS			
3	CONNECTOR (RUBBER)	OLF/R&D/RDS/001.04.04	1	SYNTHETIC RUBBER NITRILE BLACK BA-3 RHD 51-60 TO BS: 2751-56	A4
4	CAP	OLF/R&D/RDS/001.04.05	1	AL ALLOY IS 733 :83, GR.24345 (WP)	A4
5	'O' RING (RUBBER)	OLF/R&D/RDS/001.04.06	1	SYNTHETIC RUBBER NITRILE BLACK BA-3 RHD 51-60 TO BS: 2751-56	A4
6	CAP	OLF/R&D/RDS/001.04.07	02	AL ALLOY IS 733 :83, GR.24345 (WP)	A4
7	DISC (RUBBER)	OLF/R&D/RDS/001.04.08	02	RUBBER COMPOUND VUL CANIZED 1 BUTADIENE Gr 30R2 IS 2751 :82	A4
8	RING	OLF/R&D/RDS/001.04.09	02	N. RUBBER COMPOUND IS: S192 Pt I 1994Gr.2-50	A4

270918
व्यापार हेतु
FOR TRADE ONLY

UN CONTROLLED COPY
CERTIFIED CORRECT COPY OF APPROVED
DRAWINGS AT THIS DATE 26/4/22
[Signature] 26/4/22
DESIGN & DRAWING OFFICE,
ORDNANCE FACTORY, TIRUCHIRAPPALI -620 016.

		COMPT. No.		ASSY. DRG.		OPTO ELECTRONICS FACTORY DEHRADUN		
				RED DOT SIGHT				
		2007	GEN. TOL. IS 2102-m (Pt.-1)		TITLE <u>CONNECTOR ASSY.</u>			
		DRAWN	<i>Ag</i>	16-4				
		CHECKED	<i>[Signature]</i>	16-4	REF. M1			
		HOS	<i>[Signature]</i>	16-4				
		NAME		DATE		DRG.No. OLF/R&D/RDS/001.04		
D.A.No.	DT./SIGN	DESCRIPTION		AWH/ R&D	<i>[Signature]</i>	M/Yr.		
AMENDMENTS			APPROVED		K10			
							SHTS. 08	SHT. No. 01

ITEM NO	NOMENCLATURE	DRG.NO.	QTY.	MATERIAL	SHEET SIZE
	ADOPTER ASSY	OLF/R&D/RDS/001.04.01	2		
COMPONENTS					
1	ADOPTER	OLF/R&D/RDS/001.04.01.01	2	ST.STEEL IS 6603:01 X 20 Cr 13	A4
2	O RING (RUBBER)	OLF/R&D/RDS/001.04.01.02	2	SYNTHETIC RUBBER NITRILE BLACK BA-3 RHD 51-60 TO BS: 2751-56	A4

UN CONTROLLED COPY
 CERTIFIED CORRECT COPY OF APPROVED
 DRAWINGS AT THIS DATE 24/4/22
S. Menka 26/4/22
 DESIGN & DRAWING OFFICE,
 ORDNANCE FACTORY, TIRUCHIRAPPALI -620 016.

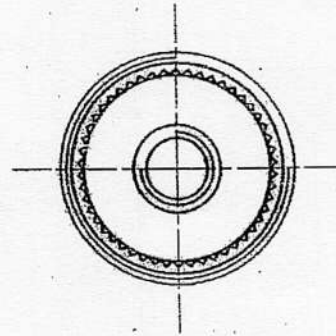
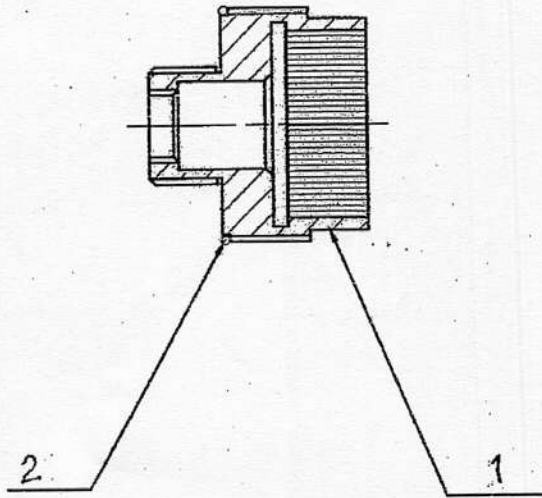
270918

व्यापार हेतु
 FOR TRADE ONLY

		COMPT. No.		ASSY. DRG.		OPTO ELECTRONICS FACTORY DEHRADUN	
		RED DOT SIGHT				TITLE	
		2007	GEN. TOL. IS 2102-m (Pt.-1)		ADOPTER ASSY.		
		DRAWN	<i>Ass</i>	16-4	REF.		
		CHECKED	<i>[Signature]</i>	16-4	M		
		HOS	<i>[Signature]</i>	16-4	DRG.No. OLF/R&D/RDS/001.04.01		
			NAME	DATE			
D.A.No	DT./SIGN	DESCRIPTION	AWM/ R&D	<i>[Signature]</i>	M/Yr.	SCALE: —	
AMENDMENTS			APPROVED			SHTS. 04	SHT. No. 01

MATERIAL: - _____	TREATMENT - _____
SURFACE FINISH: _____	PROTECTIVE FINISH - _____

270918
 270918
 FOR TRADE ONLY

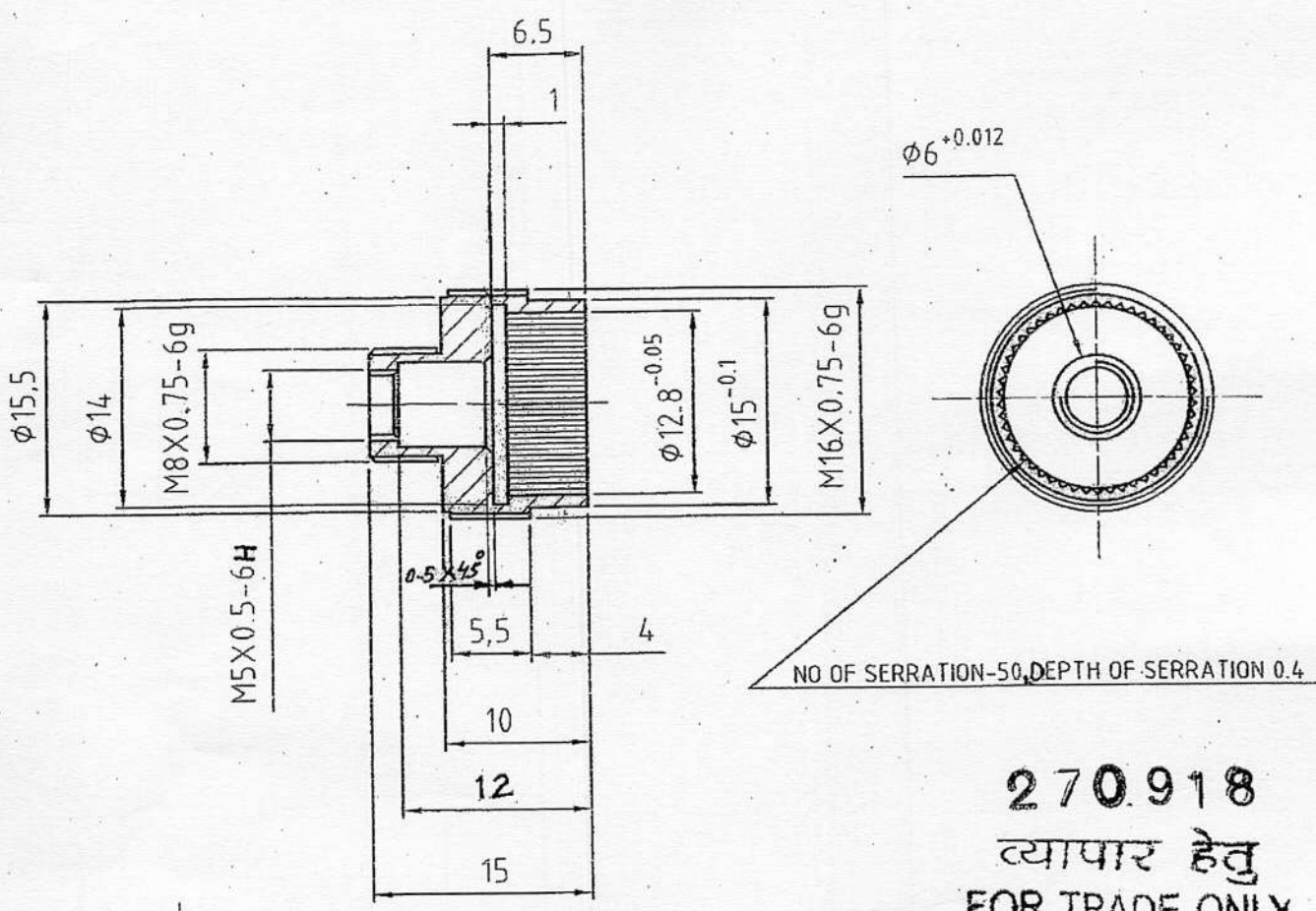


UN CONTROLLED COPY
 CERTIFIED CORRECT COPY OF APPROVED
 DRAWINGS AT THIS DATE. *S. Subramanian* 26/4/22
 DESIGN & DRAWING OFFICE,
 ORDNANCE FACTORY, TIRUCHIRAPPALI - 620 016.

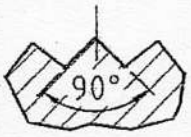
QPS : 02 No.

ITEM	DESCRIPTION	No. OFF	MATERIAL	REMARKS
LIST OF PARTS				
COMPT. No.	ASSY. DRG. RED DOT SIGHT	OPTO ELECTRONICS FACTORY DEHRADUN		
2007	GEN. TOL. IS. 2102-m (Pt.-1)	TITLE <u>ADOPTER ASSY.</u>		
DRAWN	<i>Agg</i> 16-4	REF. M		
CHECKED	<i>U. S. G.</i> 16-4	DRG.No. OLF/R&D/RDS/001.04.01		
HOS	<i>U. S. G.</i> 16-4	SCALE: 2:1		
D.A.No.	DT./SIGN	DESCRIPTION	AWM/ R&D	M/Yr.
AMENDMENTS			<i>U. S. G.</i>	4/07
			APPROVED	
			SHTS. 04	SHT. No. 02

MATERIAL: - ST. STEEL IS 6603:01 X.20 Cr 13	TREATMENT -
SURFACE FINISH: - ▽	PROTECTIVE FINISH



270918
 व्यापार हेतु
 FOR TRADE ONLY




ENLARGED VIEW OF SERRATION

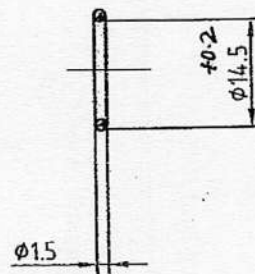
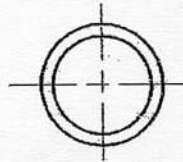
UN CONTROLLED COPY
 CERTIFIED CORRECT COPY OF APPROVED
 DRAWINGS AT THIS DATE 26/10/22
 DESIGN & DRAWING OFFICE,
 ORDNANCE FACTORY, TIRUCHIRAPPALI - 620 016.

QTY.-02

OLD NO.036001

ITEM	DESCRIPTION	No. OFF	MATERIAL	REMARKS
LIST OF PARTS				
COMPT. No.	ASSY. DRG.	OPTO ELECTRONICS FACTORY DEHRADUN		
2007	RED DOT SIGHT	TITLE		
DRAWN	GEN. TOL. IS. 2102-m (Pt.-1)	ADOPTER		
CHECKED	16/4	REF.		
HQS	16.4.	DRG.No. OLF/R&D/RDS/001.04.01.01		
D.A.No.	DT./SIGN	DESCRIPTION	AWM/R&D	M/Yr.
AMENDMENTS			APPROVED	4/07
		SCALE: 2:1		SHTS. 04
		SHT. No. 03		

MATERIAL: - SYNTHETIC RUBBER NITRILE BLACK BA-3 RHD 51-60 TO BS 2751:56	TREATMENT -
SURFACE FINISH: 	PROTECTIVE FINISH :-

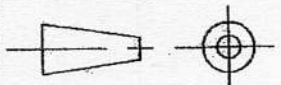


270918
व्यापार हेतु
FOR TRADE ONLY

UN CONTROLLED COPY
CERTIFIED CORRECT COPY OF APPROVED
DRAWINGS AT THIS DATE. 26/6/22
DESIGN & DRAWING OFFICE,
ORDNANCE FACTORY, TIRUCHIRAPPALI-620 016.

No.OFF-02

OLD NO.036002

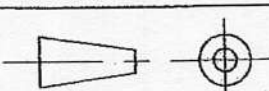
ITEM	DESCRIPTION	No. OFF	MATERIAL	REMARKS
LIST OF PARTS				
COMPT. No.	ASSY. DRG.	OPTO ELECTRONICS FACTORY DEHRADUN		
2007	GEN. TOL. IS 2102-m (Pt.-1)	TITLE <u>'O' RING</u>		
DRAWN	<i>Ag</i>	16/4	REF. M	
CHECKED	<i>Q/S</i>	16.4	DRG.No. OLF/R&D/RDS/001.04.01.02	
HOS	<i>Q/S</i>	16.4		
	NAME	DATE		
D.A.No.	DT./SIGN	DESCRIPTION	AWM/ R&D	M/Yr.
AMENDMENTS			<i>[Signature]</i>	4/07
			APPROVED	
				
			SCALE: 1:1	
			SHTS. 04	SHT.No. 04

ITEM NO	NOMENCLATURE	DRG.NO.	QTY.	MATERIAL	SHEET SIZE
	SCREW ASSY	OLF/R&D/RDS/001.04.02	02		
	COMPONENTS				
1	SCREW	OLF/R&D/RDS/001.04.02.01	02	Gr X 20 Cr 13	A4
2	PIN	OLF/R&D/RDS/001.04.02.02	02	ST. STEEL IS 6603 : 2001 Gr X 20 Cr 13	A4
3	'O' RING (RUBBER)	OLF/R&D/RDS/001.04.02.03	02	SYNTHETIC RUBBER NITRILE BLACK BA-3 RHD 51-60 TO BS: 2751-56	A4
4	COMPRESSED SPRING	OLF/R&D/RDS/001.04.02.04	02	X07 Cr 18 Ni9 IS 4454 (Pt4) :2001	A4
5	BUSH	OLF/R&D/RDS/001.04.02.05	02	X 20 Cr 13, IS 6603:2001	A4

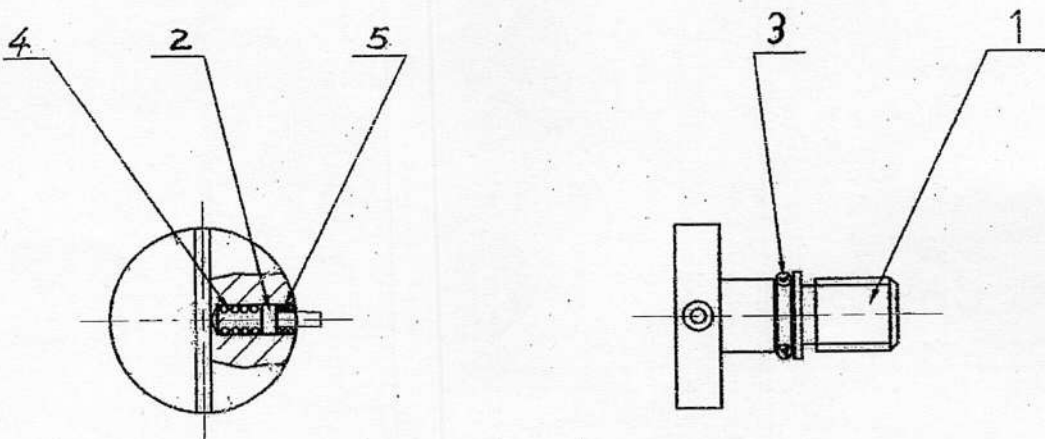
UN CONTROLLED COPY
 CERTIFIED CORRECT COPY OF APPROVED
 DRAWINGS AT THIS DATE 26/4/22
S. Venkatesh
 DESIGN & DRAWING OFFICE, 26/4/22
 ORDNANCE FACTORY, TIRUCHIRAPPALI -620 016.

2.70918

व्यापार हेतु
 FOR TRADE ONLY

		COMPT. No.	ASSY. DRG.	OPTO ELECTRONICS FACTORY DEHRADUN	
		RED DOT SIGHT		TITLE.	
		2007	GEN. TOL. IS 2102-m (Pt.-1)	SCREW ASSY	
		DRAWN	<i>Ag2</i>	16/4	
		CHECKED	<i>[Signature]</i>	16.4	
		HOS	<i>[Signature]</i>	16.4	REF. M1
		NAME	DATE	DRG.No. OLF/R&D/RDS/001.04.02	
D.A.No.	DT./SIGN	DESCRIPTION	AWM/ R&D	M/Yr.	SCALE: —
AMENDMENTS			<i>[Signature]</i>	4/07	
			APPROVED	SHTS. 07	SHT. No. 01

MATERIAL: _____	TREATMENT - _____
SURFACE FINISH: _____	PROTECTIVE FINISH :- _____



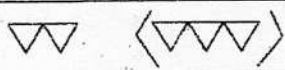
270918
व्यापार हेतु
FOR TRADE ONLY

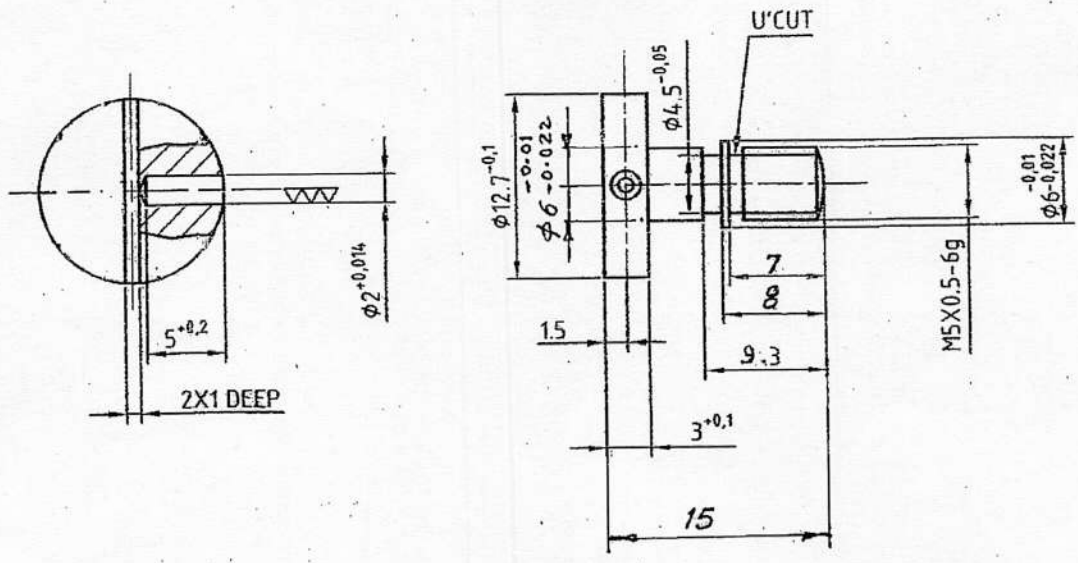
UN CONTROLLED COPY
 CERTIFIED CORRECT COPY OF APPROVED
 DRAWINGS AT THIS DATE: 26/4/22
 R. Venkatesh 26/4/22
 DESIGN & DRAWING OFFICE,
 OPTO ELECTRONICS FACTORY, TIRUCHIRAPPALI - 620 016.

QPS : 02 Nos.

OLD NO. 036003

			COMPT. No.	ASSY. DRG.	OPTO ELECTRONICS FACTORY DEHRADUN	
			2007	GEN. TOL. IS 2102-m (Pt.-1)	TITLE	
			DRAWN	<i>AG</i>	16/4	<u>SCREW ASSY.</u>
			CHECKED	<i>Q/SI SW</i>	16.4.	
			HOS	<i>Q/SI SW</i>	16.4.	REF. M 1
				NAME	DATE	DRG.No. OLF/R&D/RDS/001.04.02
D.A.No.	DT./SIGN	DESCRIPTION	AWM/ R&D	<i>Q/SI</i>	M/Yr. 4/07	SCALE: 2:1
AMENDMENTS			APPROVED			
						SHTS. 07
						SHT. No. 02

MATERIAL: ST. STEEL IS 6603 : 03 Gr X 20 Cr 13	TREATMENT -
SURFACE FINISH: 	PROTECTIVE FINISH :-



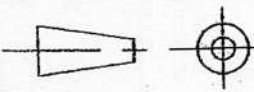
270918

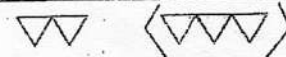
व्यापार हेतु
FOR TRADE ONLY

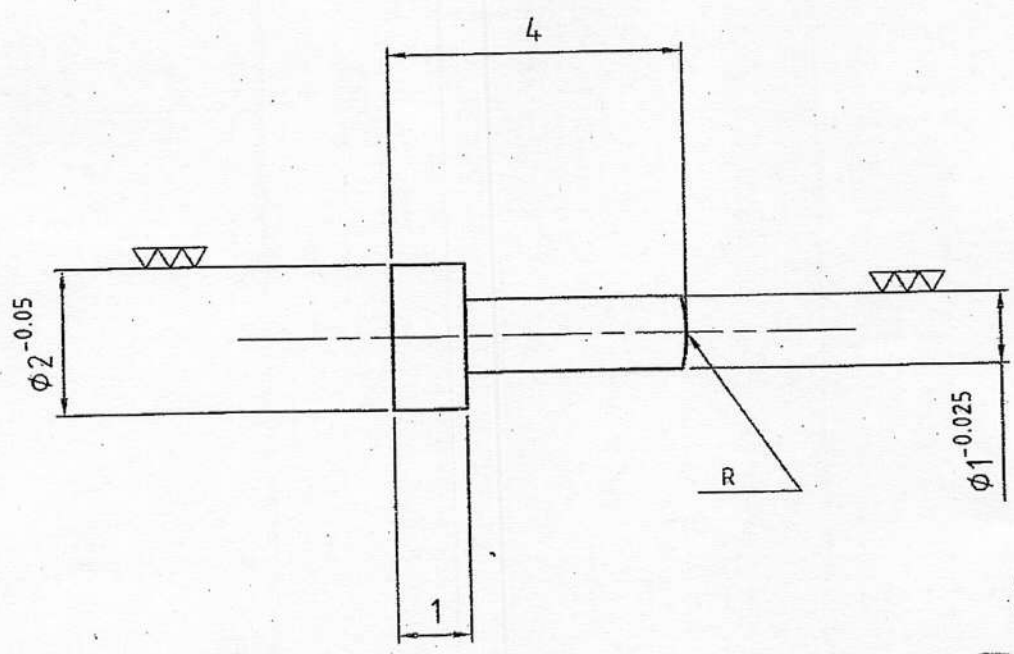
UN CONTROLLED COPY
CERTIFIED CORRECT COPY OF APPROVED
DRAWINGS AT THIS DATE. *26/4/22*
DESIGN & DRAWING OFFICE,
ORDNANCE FACTORY, TIRUCHIRAPPALI - 620 016.

QPS : 02 Nos.

OLD NO. 036003

ITEM	DESCRIPTION	No. OFF	MATERIAL	REMARKS
LIST OF PARTS				
COMPT. No.	ASSY. DRG.	OPTO ELECTRONICS FACTORY DEHRADUN		
	RED DOT SIGHT			
2007	GEN. TOL. IS 2102-m (Pt.-1)	TITLE		
DRAWN	<i>AK</i>	16/4	<u>SCREW</u>	
CHECKED	<i>[Signature]</i>	16-4	REF.	M1
HOS	<i>[Signature]</i>	16-4	DRG.No.OLF/R&D/RDS/001.04.02.01	
	NAME	DATE		
D.A.No.	DT./SIGN	DESCRIPTION	AWM/ R&D	M/Yr. <i>[Signature]</i> 4/07
AMENDMENTS			APPROVED	SCALE: 2:1
				SHTS. 07 SHT. No. 03

MATERIAL: — ST. STEEL IS 6603:2001 Gr. X 20 Cr 13	TREATMENT —
SURFACE FINISH: 	PROTECTIVE FINISH —

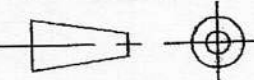



270918
व्यापार हेतु
FOR TRADE ONLY

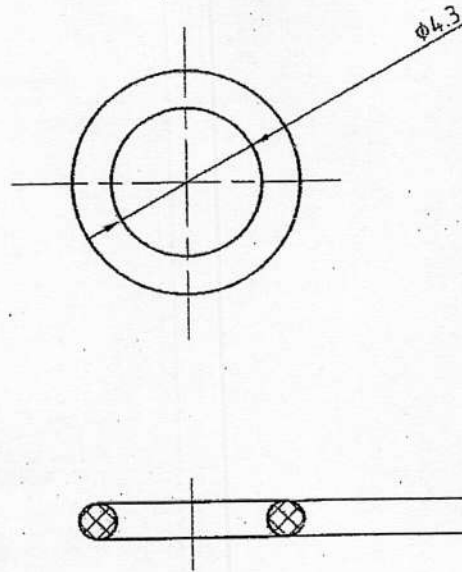
UN CONTROLLED COPY
CERTIFIED CORRECT COPY OF APPROVED
DRAWINGS AT THIS DATE 26/4/22
DESIGN & DRAWING OFFICE,
ORDNANCE FACTORY, TIRUCHIRAPPALI - 620 016.

No.OFF-02

OLD NO.036004

ITEM	DESCRIPTION	No. OFF	MATERIAL	REMARKS
LIST OF PARTS				
COMPT. No.	ASSY. DRG.	OPTO ELECTRONICS FACTORY DEHRADUN		
	RED DOT SIGHT	TITLE <u>PIN</u>		
2007	GEN. TOL. IS 2102-m (Pt.-1)	REF. M		
DRAWN	<i>AK</i> 16/4			
CHECKED	<i>STP</i> 16-4			
HOS	<i>Q/EL</i> 16-4			
	NAME	DATE	DRG.No. OLF/R&D/RDS/001.04.02.02	
D.A.No.	DT./SIGN	DESCRIPTION	AWM/ R&D	M/Yr.
AMENDMENTS			<i>AK</i>	4/07
			APPROVED	
				
			SCALE: 10:1	
			SHTS. 07	SHT. No. 04

MATERIAL: - SYNTHETIC RUBBER NITRILE BLACK BA-3 RHD 51-60-TO BS 2751:56	TREATMENT - _____
SURFACE FINISH: 	PROTECTIVE FINISH :- _____



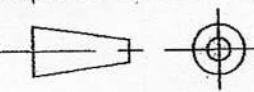
270918

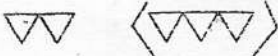
व्यापार हेतु
FOR TRADE ONLY

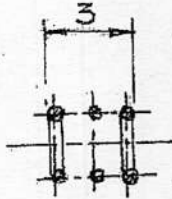
UN CONTROLLED COPY
CERTIFIED CORRECT COPY OF APPROVED
DRAWINGS AT THIS DATE 26/4/22
[Signature]
DESIGN & DRAWING OFFICE,
ORDNANCE FACTORY, TIRUCHIRAPPALI - 620 016.

No.OFF-02

OLD NO.036005

ITEM	DESCRIPTION	No. OFF	MATERIAL	REMARKS				
LIST OF PARTS								
COMPT. No.	ASSY. DRG.	OPTO ELECTRONICS FACTORY DEHRADUN						
	RED DOT SIGHT							
2007	GEN. TOL. IS 2102-m (Pt.-1)	TITLE						
DRAWN	<i>[Signature]</i>	16/4	<u>ORING</u>					
CHECKED	<i>[Signature]</i>	16.4	REF. M					
HOS	<i>[Signature]</i>	16.4	DRG.No. OLF/R&D/RDS/001.04.02.03					
D.A.No.	DT./SIGN	DESCRIPTION	AWM/ R&D	NAME	DATE	M/Yr.		SCALE: -
AMENDMENTS			<i>[Signature]</i>	4/07	APPROVED		SHTS. 07	SHT.No. 05

MATERIAL: - X.07 Cr 18 Ni9 IS-4454 (Pt-1) :2001	TREATMENT -
SURFACE FINISH: 	PROTECTIVE FINISH :-



SPRING DATA

WIRE DIA - 0.3
 MEAN DIA - 1.5
 No. OF COILS (ACTIVE) - 3
 FREE LENGTH - 3
 ENDS SHOULD BE GROUND & SQUARED
 HARD & TEMPERED

270918

व्यापार हेतु
FOR TRADE ONLY

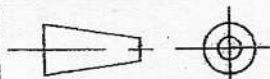
- (i) ALTT. MATERIAL :- STEEL SPRING WIRE $\phi 0.3 \text{ mm}$. IS: 4454 (Pt-I)
- (i) COATING :- CHEMICAL OXIDATION BLACK

UN CONTROLLED COPY
 CERTIFIED CORRECT COPY OF APPROVED
 DRAWINGS AT THIS DATE, 26/4/22


No.OFF-02

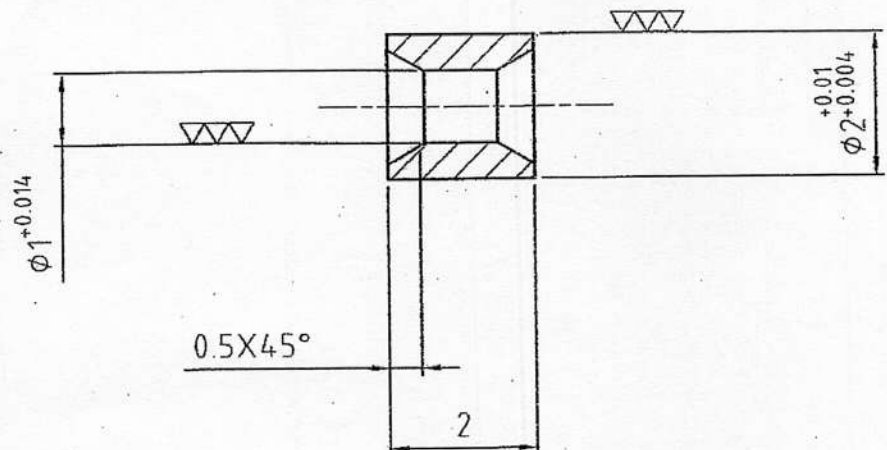
DESIGN & DRAWING OFFICE,
 ORDNANCE FACTORY, TIRUCHIRAPPALLI-620 016

OLD NO.036006

ITEM	DESCRIPTION	No. OFF	MATERIAL	REMARKS
LIST OF PARTS				
COMPT. No.	ASSY. DRG.	OPTO ELECTRONICS FACTORY DEHRADUN		
2007	GEN. TOL. IS 2102-m (Pt.-1)	TITLE <u>COMP. SPRING</u>		
DRAWN	AG	16/4	REF. M+2	
CHECKED		16.4.	DRG.No. OLF/R&D/RDS/001.04.02.04	
HDS			SCALE: -	
D.A.No.	DT./SIGN	DESCRIPTION	AWM/ R&D	M/Yc.
				SHTS. 07
AMENDMENTS			APPROVED	SHT. No. 06

(i)2 DO/BA/94/15 24.7.2015 JLGm/qc ALT. MATERIAL & COATING ADDED

MATERIAL: - X 20 Cr 13, IS 6603:2001	TREATMENT -
SURFACE FINISH: 	PROTECTIVE FINISH :-



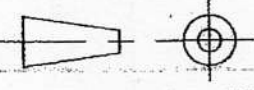
270918

व्यापार हेतु
FOR TRADE ONLY

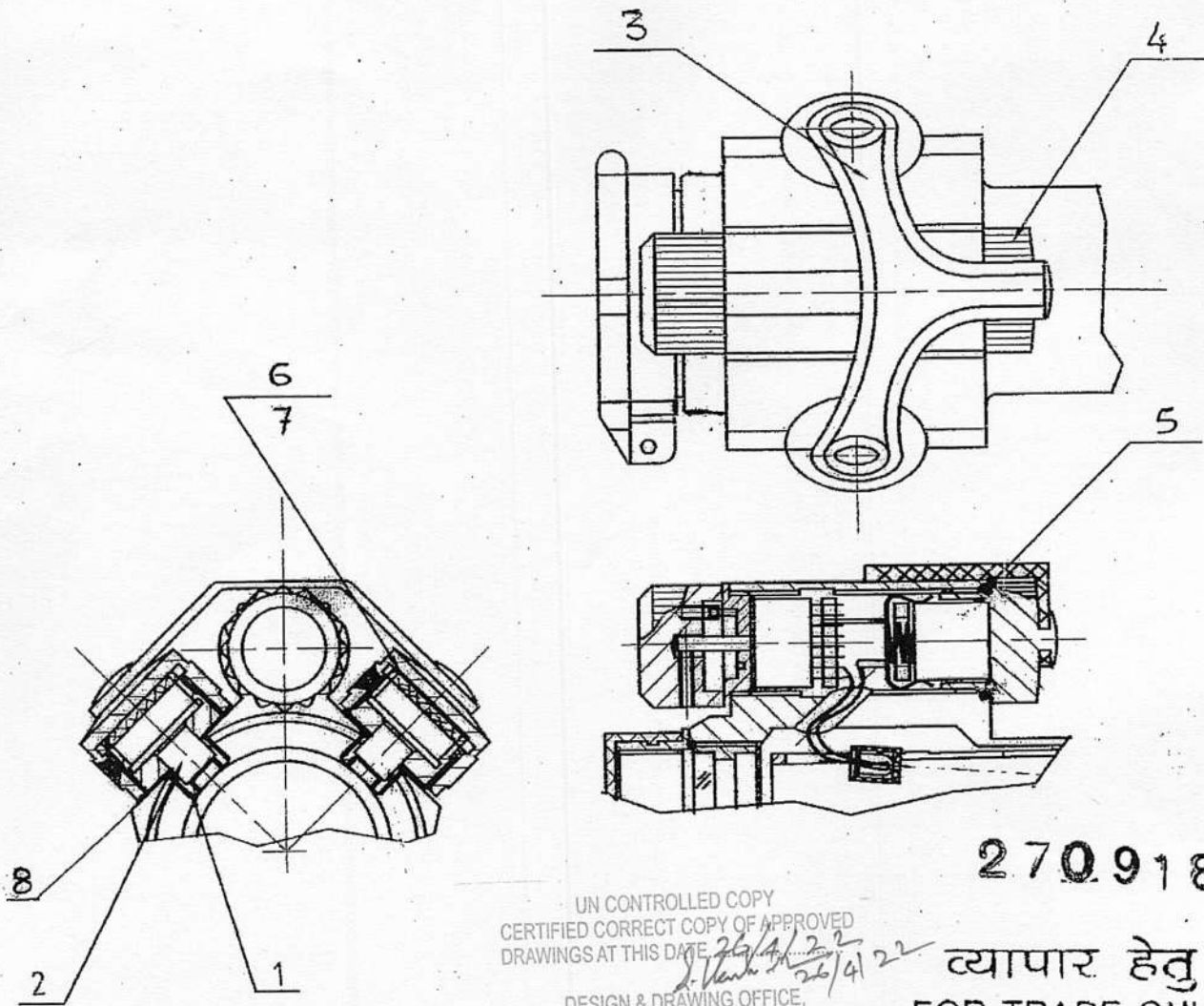
UNCONTROLLED COPY
CERTIFIED CORRECT COPY OF APPROVED
DRAWINGS AT THIS DATE 26/4/22
S. Venkatesh
DESIGN & DRAWING OFFICE,
ORDNANCE FACTORY, TIRUCHIRAPPALI - 620 016.

No.OFF-02

OLD NO.036007

ITEM	DESCRIPTION	No. OFF	MATERIAL	REMARKS
LIST OF PARTS				
COMPT. No.	ASSY. DRG.	OPTO ELECTRONICS FACTORY DEHRADUN		
	RED DOT SIGHT			
2007	GEN. TOL. IS 2102-m (Pt.-1)	TITLE		
DRAWN	<i>Ag</i>	16/4	<u>BUSH</u>	
CHECKED	<i>G. S. M.</i>	16.4.	REF.	M1
HOS	<i>G. S. M.</i>	16.4.	DRG.No. OLF/R&D/RDS/001.04.02.05	
	NAME	DATE		
D.A.No.	DT./SIGN	DESCRIPTION	AWM/ R&D	M/Yr.
			<i>S. Venkatesh</i>	4/07
AMENDMENTS			APPROVED	
				SCALE: 10:1
			SHTS. 07	SHT. No. 07

MATERIAL: _____	TREATMENT: _____
SURFACE FINISH: _____	PROTECTIVE FINISH: _____



270918

UN CONTROLLED COPY
 CERTIFIED CORRECT COPY OF APPROVED
 DRAWINGS AT THIS DATE 26/4/22
 DESIGN & DRAWING OFFICE,
 ORDNANCE FACTORY, TIRUCHIRAPPALI -620 016.

व्यापार हेतु
 FOR TRADE ONLY

ITEM	DESCRIPTION	No. OFF	MATERIAL	REMARKS
LIST OF PARTS				
COMPT. No.	ASSY. DRG.	OPTO ELECTRONICS FACTORY DEHRADUN		
2007	GEN. TOL. IS 2102-m (Pt.-1)	TITLE CONNECTOR ASSY.		
DRAWN	AG	16/4	REF. M	
CHECKED	[Signature]	16.4.	DRG.No. OLF/R&D/RDS/001.04	
HDS	[Signature]	16.4.	SCALE: 1:1	
	NAME	DATE	SHTS. 08 SHT. No. 02	
D.A.No.	DT./SIGN	DESCRIPTION	AWM/ R&D	M/Yr. 4/07
AMENDMENTS			APPROVED	

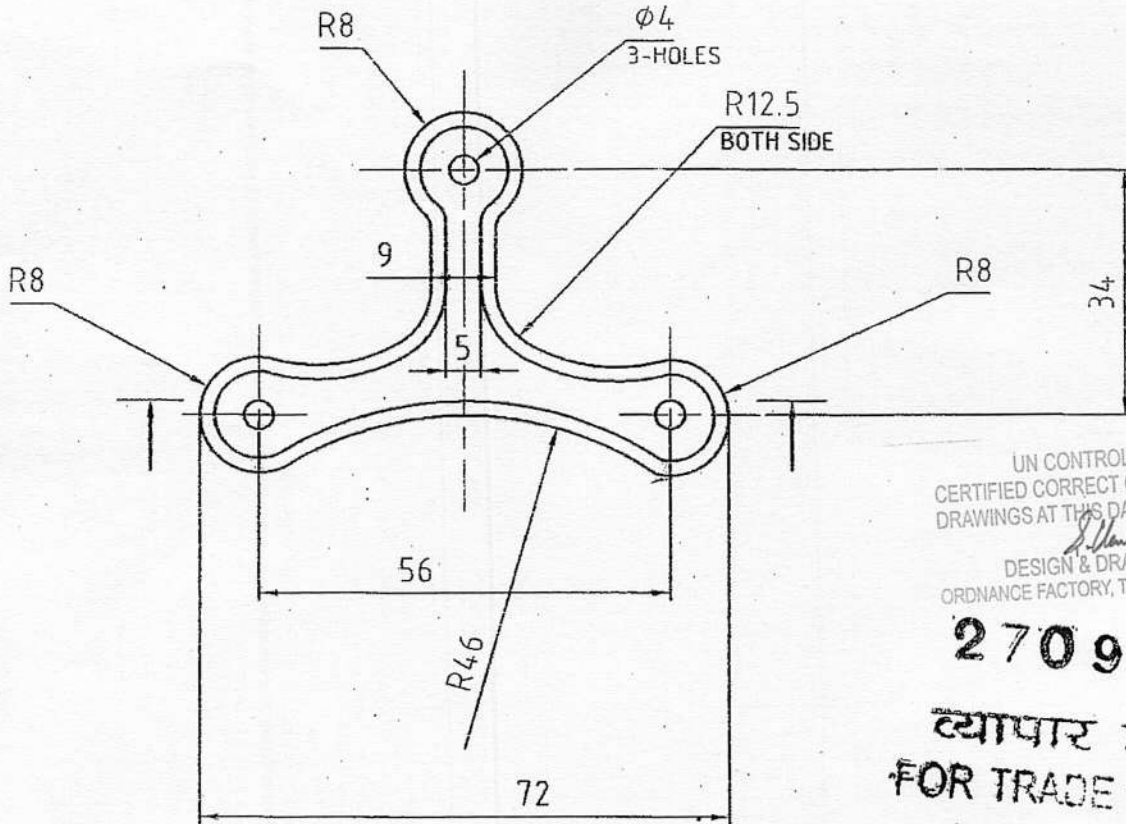
5

MATERIAL: SYNTHETIC RUBBER NITRILE BLACK
BA-3 RHD 51-60 TO BS: 2751-56

TREATMENT -

SURFACE FINISH: ▽

PROTECTIVE FINISH :-



UN CONTROLLED COPY
CERTIFIED CORRECT COPY OF APPROVED
DRAWINGS AT THIS DATE: 26/4/22
DESIGN & DRAWING OFFICE,
ORDNANCE FACTORY, TIRUCHIRAPPALI - 620 016.

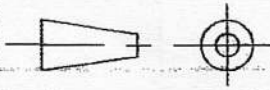
270918

व्यापार हेतु
FOR TRADE ONLY

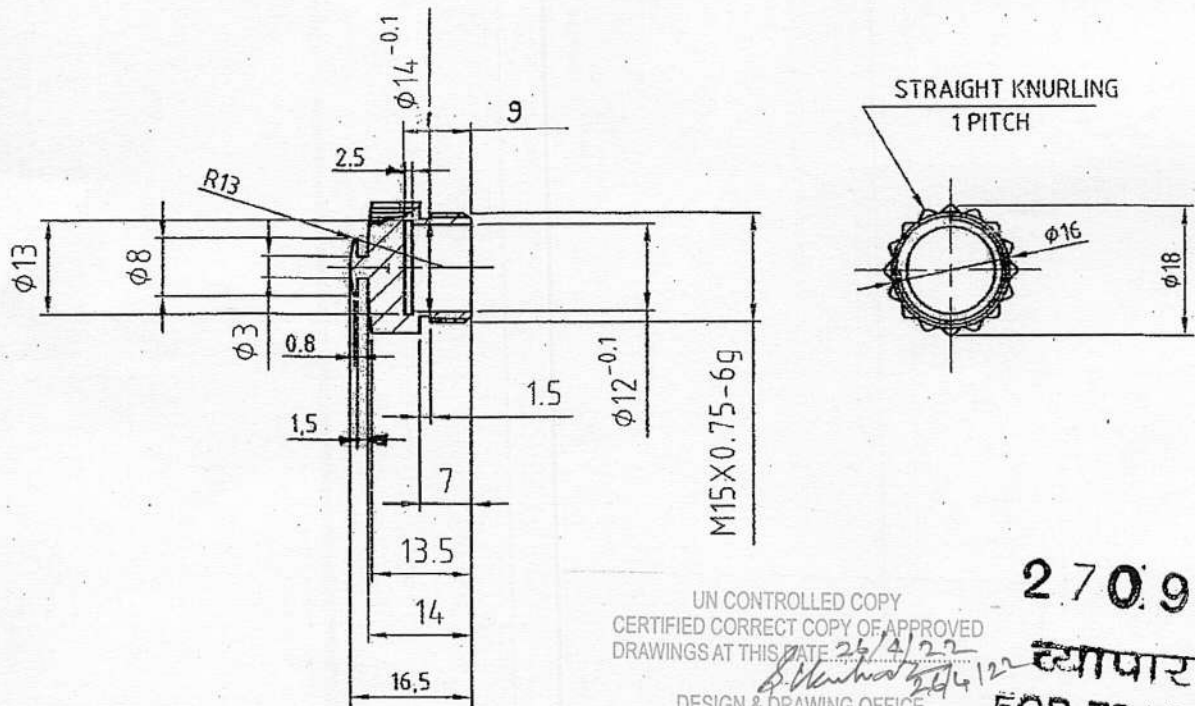
QTY-1

OLD NO. 035001

ITEM	DESCRIPTION	No. OFF	MATERIAL	REMARKS
LIST OF PARTS				
COMPT. No.	ASSY. DRG.	OPTO ELECTRONICS FACTORY DEHRADUN		
	RED DOT SIGHT			
2007	GEN. TOL. IS 2102-m (Pt.-1)	TITLE CONNECTOR		
DRAWN	Ah	16/4	REF. M	
CHECKED	G/S	16.4.		
HQS	G/S	16.4.	DRG.No. OLF/R&D/RDS/001.04.04	
	NAME	DATE		
D.A.No.	DT./SIGN	DESCRIPTION	AWM/ R&D	M/Yr.
AMENDMENTS			APPROVED	4/07
			SCALE: 1:1	
			SHTS: 08	SHT.No. 03



MATERIAL: - AL. ALLOY IS 733 : 83 GR 24345(WP)	TREATMENT -
SURFACE FINISH: $\nabla\nabla$	PROTECTIVE FINISH :- ANODIC OXIDATION BLACK



UN CONTROLLED COPY
 CERTIFIED CORRECT COPY OF APPROVED
 DRAWINGS AT THIS DATE 25/4/22
 DESIGN & DRAWING OFFICE,
 ORDNANCE FACTORY, TIRUCHIRAPPALI -620 016.


270918
 व्यापार हेतु
 FOR TRADE ONLY

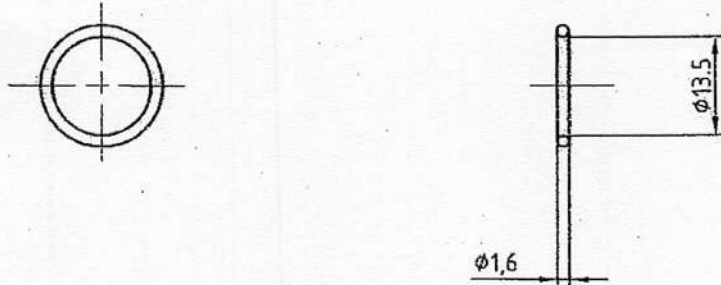
NOTE:- SHOULD BE BLACK POWDER COATING ON
 OUTER SURFACE EXCEPT HOLE & THREAD

NO.OFF-01

OLD NO.035002

ITEM	DESCRIPTION	No. OFF	MATERIAL	REMARKS	
LIST OF PARTS					
COMPT. No.	ASSY. DRG. RED DOT SIGHT	OPTO ELECTRONICS FACTORY DEHRADUN			
2007	GEN. TOL. IS 2102-m (Pt.-1)	TITLE <u>CAP</u>			
DRAWN	AG	16/4	REF. M		
CHECKED	[Signature]	16.4			
HOS	[Signature]	16.4			
NAME		DATE	DRG.No. OLF/R&D/RDS/001.04.05		
D.A.No.	DT./SIGN	DESCRIPTION	AWM/ R&D	M/Yr.	SCALE: 2:1
AMENDMENTS			[Signature]	4/07	
			APPROVED		SHTS: 08 SHT. No: 04

MATERIAL: - SYNTHETIC RUBBER NITRILE BLACK BA-3 RHD 51-60 TO BS 2751:56	TREATMENT - _____
SURFACE FINISH: 	PROTECTIVE FINISH :- _____



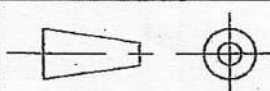
270918

व्यापार हेतु
FOR TRADE ONLY

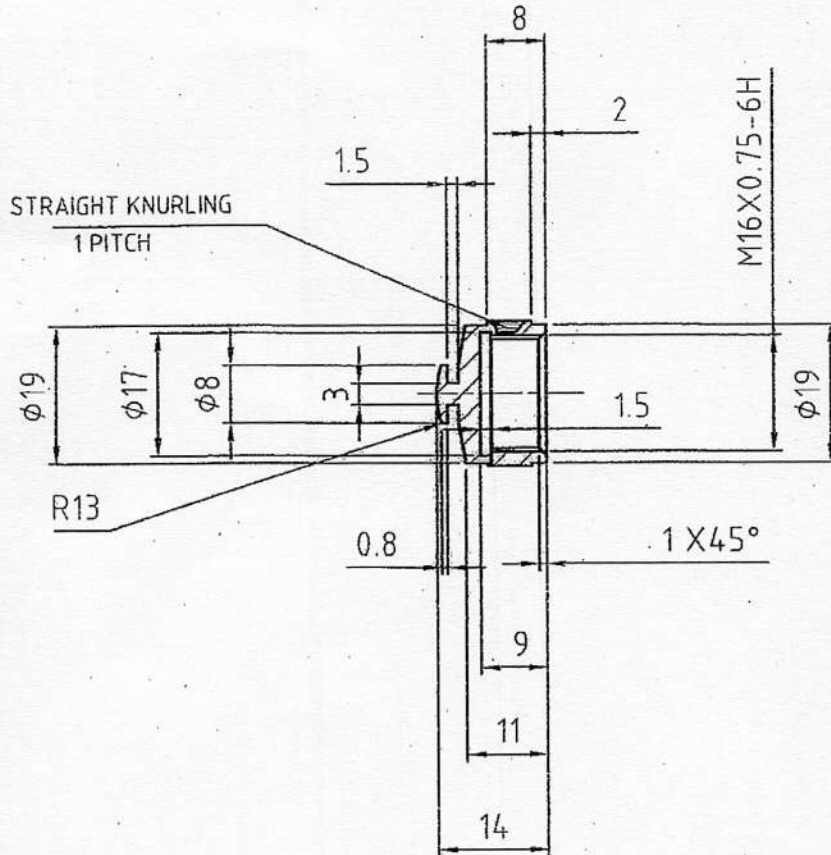
UN CONTROLLED COPY
CERTIFIED CORRECT COPY OF APPROVED
DRAWINGS AT THIS DATE 26/4/22
S. Venkatesh
DESIGN & DRAWING OFFICE,
OROMANCE FACTORY, TIRUCHIRAPPALI - 620 016.

No.OFF-01

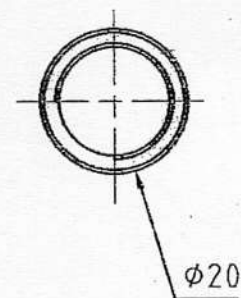
OLD NO.035003

ITEM	DESCRIPTION	No. OFF	MATERIAL	REMARKS
LIST OF PARTS				
COMPT. No.	ASSY. DRG.	OPTO ELECTRONICS FACTORY DEHRADUN		
	RED DOT SIGHT			
2007	GEN. TOL. IS 2102-m (Pt.-1)	TITLE		
DRAWN	<i>Ag</i>	16-4	<u>'O' RING</u>	
CHECKED	<i>Q. H. S.</i>	16-4	REF. M	
HOS	<i>Q. H. S.</i>	16-4	DRG.No. OLF/R&D/RDS/001.04.06	
	NAME	DATE		
D.A.No.	DT./SIGN	DESCRIPTION	AWM/ R&D	M/Yr.
AMENDMENTS			<i>Q. H. S.</i>	4/07
			APPROVED	
				
			SCALE: 1:1	
			SHTS. 08	SHT. No. 05

MATERIAL: - AL ALLOY IS 733 : 83 GR 24345(WP)	TREATMENT -
SURFACE FINISH: ▽	PROTECTIVE FINISH :- ANODIC OXIDATION BLACK



UN CONTROLLED COPY
 CERTIFIED CORRECT COPY OF APPROVED
 DRAWINGS AT THIS DATE 26/4/22
 S. Venkatesh 4/22
 DESIGN & DRAWING OFFICE,
 ORDNANCE FACTORY, TIRUCHIRAPPALI - 620 016.



270918


व्यापार हेतु
 FOR TRADE ONLY

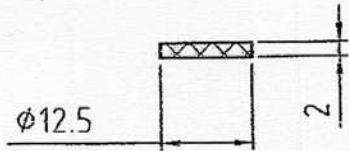
NOTE:- SHOULD BE BLACK POWDER COATING
 ON OUTER SURFACE EXCEPT HOLE
 AND THREAD

No.OFF-02

OLD NO.035004

ITEM	DESCRIPTION	No. OFF	MATERIAL	REMARKS
LIST OF PARTS				
COMPT. No.	ASSY. DRG.	OPTO ELECTRONICS FACTORY DEHRADUN		
2007	GEN. TOL..IS 2102-m" (Pt.-1)	TITLE <u>CAP</u>		
DRAWN	Ag	16/4	REF. M	
CHECKED	[Signature]	16.4	DRG.No. OLF/R&D/RDS/001.04.07	
HOS	[Signature]	16.4	SCALE: 2:1	
D.A.No.	DT./SIGN	DESCRIPTION	AWM/ R&D	M/Yr.
AMENDMENTS			[Signature]	4/07
			APPROVED	[Signature]
			[Symbol]	SHTS. 08
			[Symbol]	SHT. No. 06

MATERIAL - RUBBER COMPOUND VULCANIZED 1 BUTADIENE Gr 30R2 IS 2751:82	TREATMENT -
SURFACE FINISH: 	PROTECTIVE FINISH -

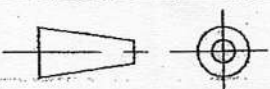


270918
व्यापार हेतु
FOR TRADE ONLY

UN CONTROLLED COPY
CERTIFIED CORRECT COPY OF APPROVED
DRAWINGS AT THIS DATE 26/4/22
DESIGN & DRAWING OFFICE,
ORDNANCE FACTORY, TIRUCHIRAPPALI-620 016.

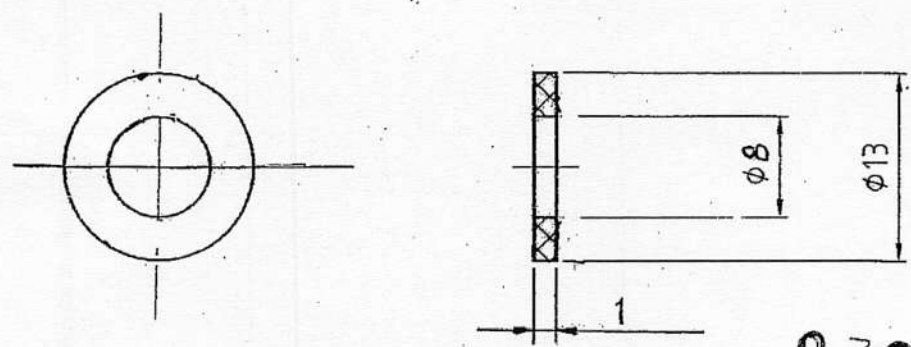
(i)
No.OFF-02

OLD NO.035005

ITEM	DESCRIPTION	No. OFF	MATERIAL	REMARKS
LIST OF PARTS				
COMPT. No.	ASSY. DRG.	OPTO ELECTRONICS FACTORY DEHRADUN		
	RED DOT SIGHT			
2007	GEN. TOL. IS 2102-m (Pt.-1)	TITLE		
DRAWN	AG 16-4	DISC (RUBBER)		
CHECKED	श्रीधर 16.4	REF.		M 1.
HOS	श्रीधर 16.4	DRG.No. OLF/R&D/RDS/001.04.08		
	NAME	DATE		
	AWM/ R&D	M/Yr.	SCALE: 1:1	
AMENDMENTS		4/07	SHTS: 08 SHT-No. 07	
		APPROVED		

(i) DO/DA/95/15
JLGM/RC
24/7/15
QPS AMENDED

MATERIAL: -	N.RUBBER COMPOUND IS 5192 F.F.1: 1994 Gr-Z-50	TREATMENT -	-
SURFACE FINISH:	▽▽	PROTECTIVE FINISH :-	-



270918
व्यापार हेतु
FOR TRADE ONLY

UNCONTROLLED COPY
CERTIFIED CORRECT COPY OF APPROVED
DRAWINGS AT THIS DATE. 26/4/22
S. Venkatesh 26/4/22
DESIGN & DRAWING OFFICE,
ORDNANCE FACTORY, TIRUCHIRAPPALI-620 016.

QTY:02

OLD NO.037009

ITEM	DESCRIPTION	No. OFF	MATERIAL	REMARKS
LIST OF PARTS				
COMPT. No.	ASSY. DRG.	OPTO ELECTRONICS FACTORY DEHRADUN		
	RED DOT SIGHT			
2007	GEN. TOL. IS 2102-m (Pt.-1)	TITLE		
DRAWN	AK	16/4	<u>RING</u>	
CHECKED	(Signature)	16.4	REF.	
HOS	(Signature)	16.4	M	
	NAME	DATE	DRG.No. OLF/R&D/RDS/001.04.09	
D.A.No.	DT./SIGN	DESCRIPTION	AWM/ R&D	M/Yr.
			(Signature)	4/07
AMENDMENTS			APPROVED	
			SCALE: 2:1	
			SHTS. 08	SHT. No 08

DD/DA/95/15
JE Gm/AC
24/7/15
NEW COMPT. ADDED