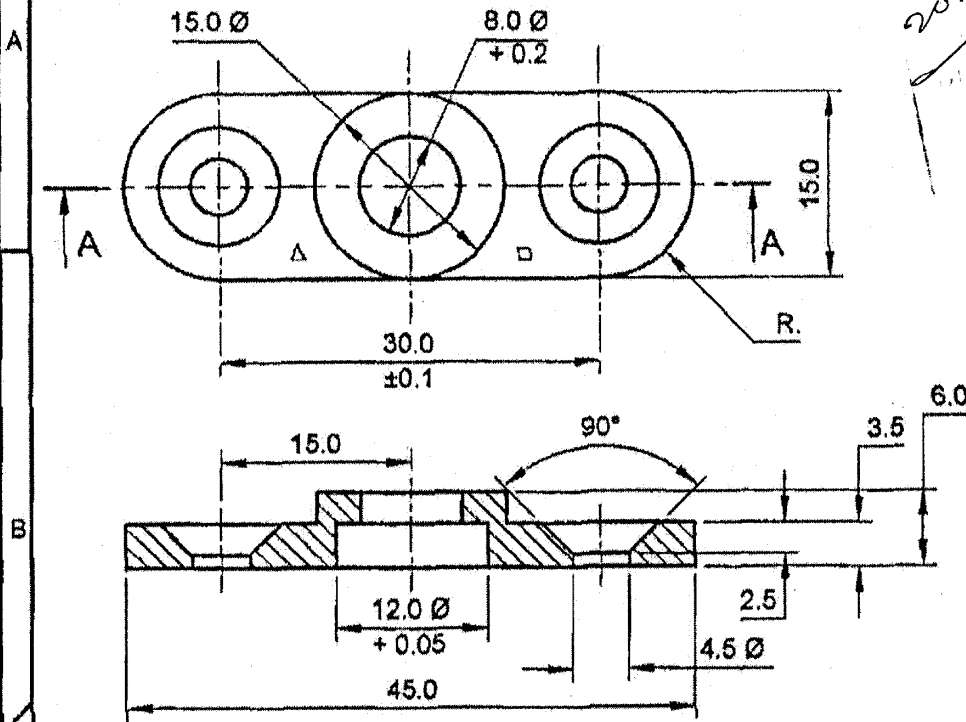


120800-9001

DRAWING CONVENTIONS CONFORM TO JSG:0104
 DIMNS ARE IN mm. GEN. TOL. 'MEDIUM' IS:2102



2021/17/0024
Hos/mes

SECTION A - A

MARKING NOTE:-
 TO BE MARKED ON COMPONENT BY
 STAMPING IN 2mm. LETTER SIZE:-

△ MANUFACTURER'S CODE.
 □ Yr. OF Mfg.

27.09.16	26949-SA	MATERIAL - AMENDED		
24-09-08	26433-SA	DRG PROV SEALED		
PREVIOUS DC NO. 25918 - 6A.			COPY	COPY
DATE	AUTHY.	BRIEF RECORD	ZONE	I/C, DO, G.O.
SEALED :- DC NO. 26433-SA DT. 24-09-08.			SIGN.	

DRN. <i>Chd</i>	CHD. <i>DD</i>	TRD.	COMP.	AHSP. CQA(SA) ICHAPUR
SCALE :- 2:1				EST. MASS
DT. 24-09-08.	<i>Chd</i>	APPROVED	<i>JTO</i>	ASSY. 1005-557898
	I/C, DO.	DT. 24-09-08	FOR VQA(SA)	
MATERIAL :- IS: 5517-1993, DESIGNATION 40 C8.				
H.T./HARDNESS :- 300 - 350 HV.				DG NR'S. ARDE SK 3145
PROTECTIVE :- PHOSPHATE TO SPECN. JSS : 0465 - 01 ;				REF. DET NO. 80
FINISH 1994 CLASS II (ACCELERATED), OIL FINISH.				PART No.
NOMENCLATURE :- HOUSING LUG SLING				DRG. No.
				D.S.CAT. 1005-008021
				No.