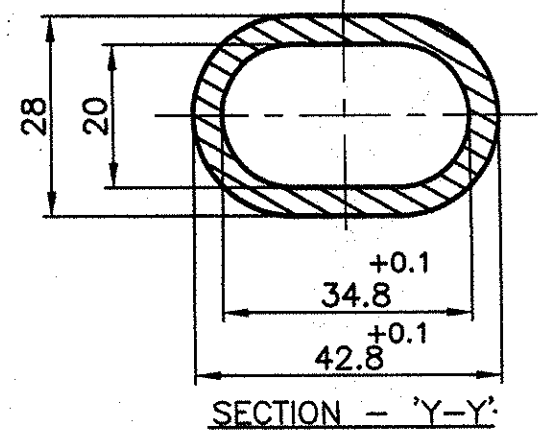
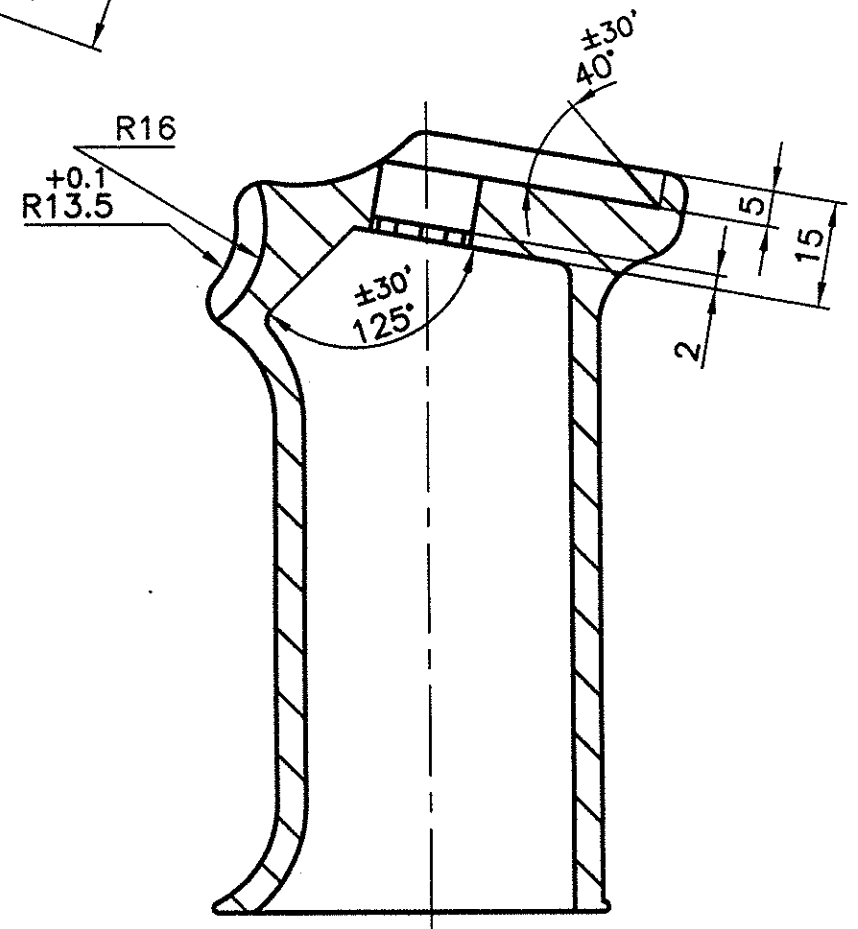
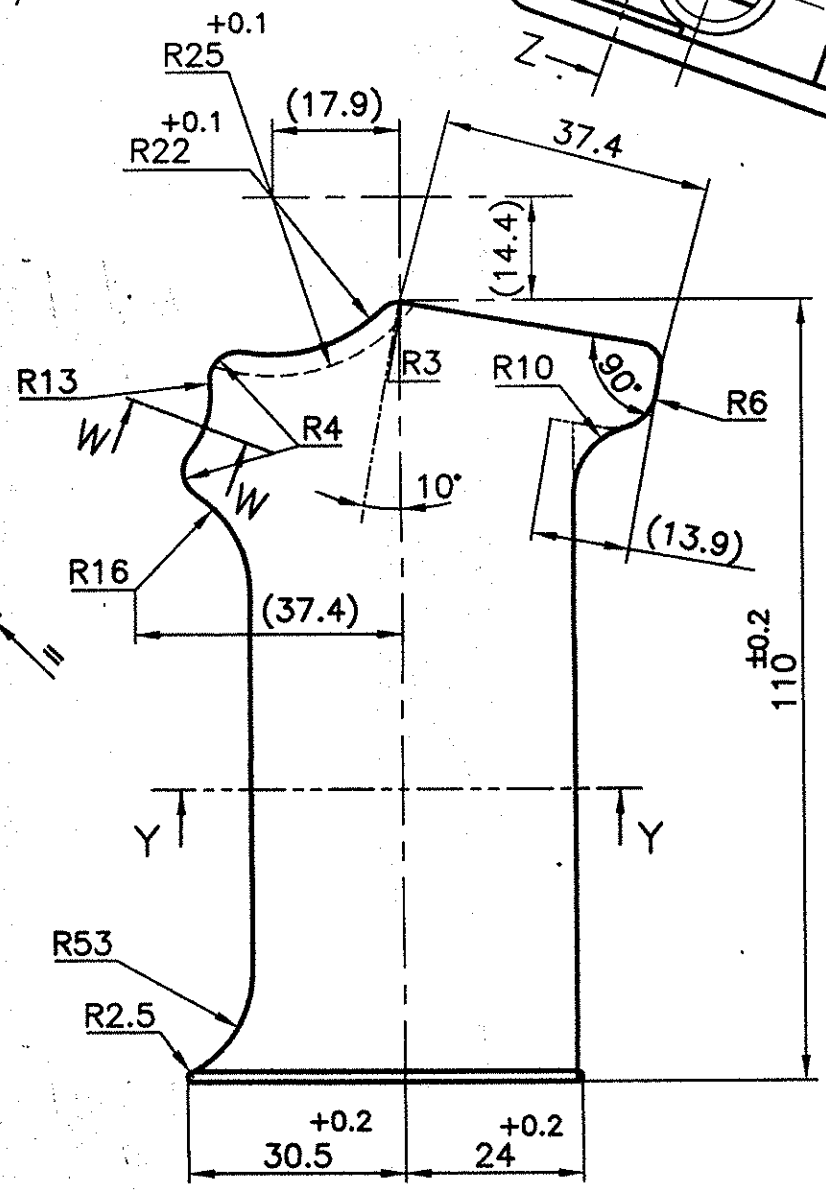
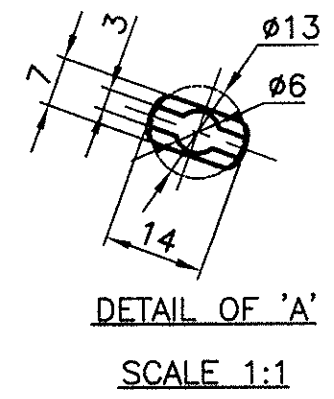
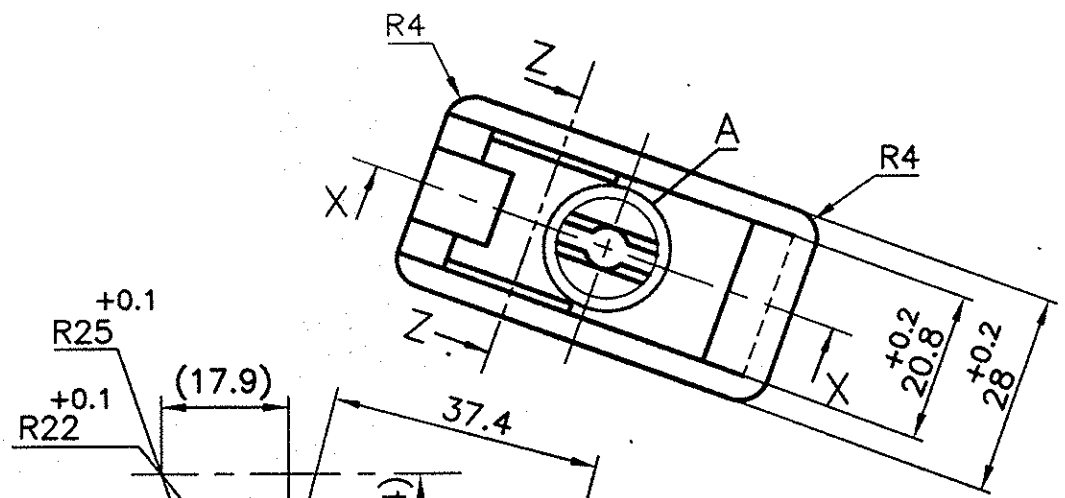
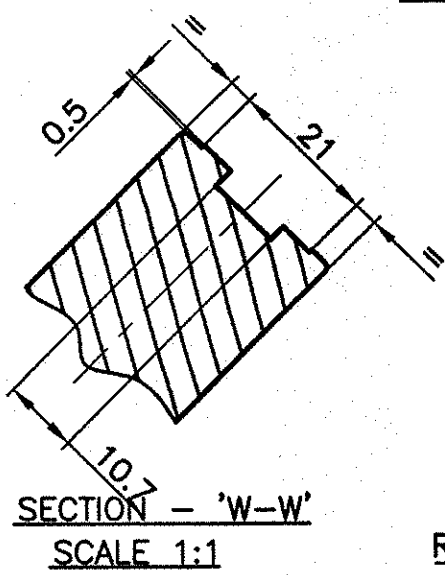
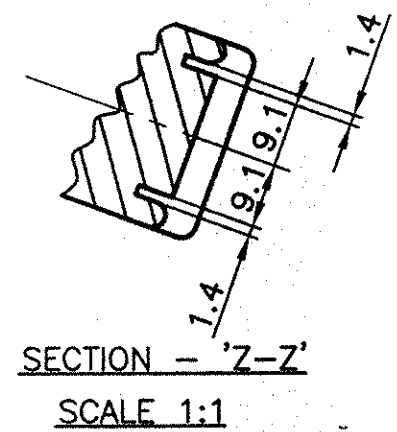
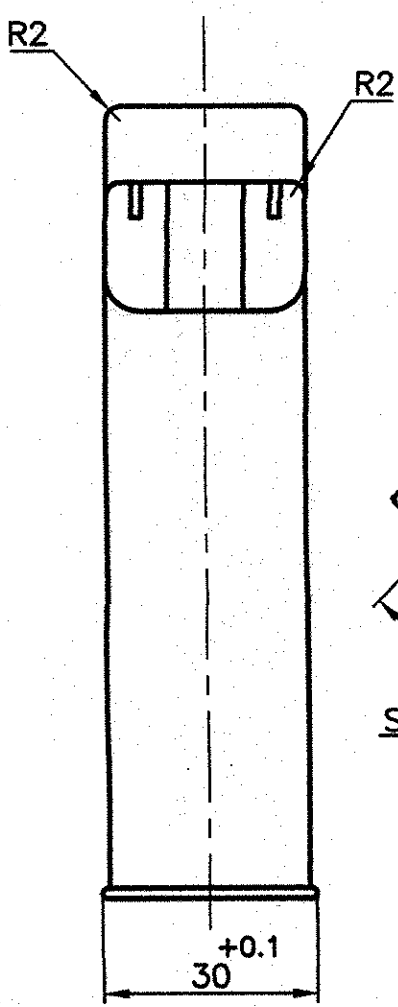


A
B
C
D
E
F

A
B
C
D
E
F

1 2 3 4 5 6 7 8



MATL : NYLON 6 BLACK.

DIMENSIONS ARE IN mm.
 UNTOLERATED DIMNS. AS PER IS : 2102 (MED)
 SHARP CORNERS SHOULD BE BLUNT TO R 0.5

AMENDMENTS	SIG. & DATE		SIGNATURE & DATE.	SUB: GRIP REAR.	SCALE NTS
		TRACED		FOR: REAR FRAME & TRIGGER MECHANISM GROUP.	STORE DRG.NO.
		DRAWN	<i>S. Venkatar</i>	OF: 40mm MGL.	---
		CHECKED		DES. REF. NO.	OPERATION NO.
		HOS/D&DO	<i>[Signature]</i>	DRG. No.: 30P 3023	---
		NODAL OFFICER/ FOR MGL.		ORDNANCE FACTORY TIRUCHIRAPPALLI-16.	SHEETS: 1
		DIV. OFFICER/ D&DO			SHEET No.: 1
		APPROVED ON. 25/02/2015			

1 2 3 4 5 6 7 8