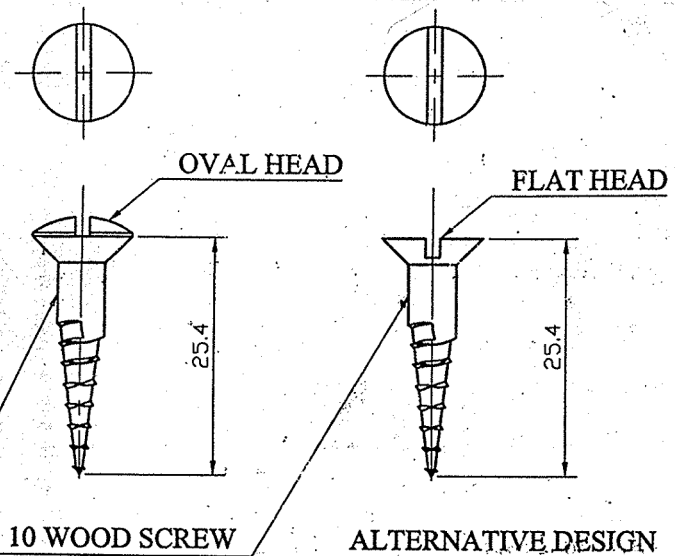



DRG. NO. SP 05

DIMENSIONS ARE IN mm.  
 INFORMATION MARKED THUS ' T ' TO BE MARKED ON  
 UNTOLERATED DIMENSIONS AS PER IS. 2102 (MEDIUM)



MATERIAL :- STANDARD IS: 280 (1/4 HRD.) BRIGHT  
 PROTECTIVE FINISH :- PHOSPHATED ONLY, OIL DEEPING.

PART NO.	DESCRIPTIONS	NO OFF	MATERIAL	TREATMENT	REMARKS
 TRACED DRAWN <i>[Signature]</i> CHECKED <i>[Signature]</i> OIC/D&DO <i>V. Vallurandur</i> PRDN. OFFICER DIV. OFFICER D&DO APPROVED ON:	SUB: SCREW, PLATE BUTT	SCALE	(FT) ORDNANCE FACTORY TIRUCHIRAPALLI-16.		
	FOR: <i>[Signature]</i>	2:1			
	OF: .315" SPORTING RIFLE	STORE DRG. NO.			
	DES. REF. NO: SP-59	OPERATION NO.			
	DRG. NO: 29 P 0059*	SHEETS:			
		SHEET NO:			
AMENDMENTS	SIG. & DATE				

\* ON 22.3.2010.

Refer ICR 1379

2