

BILL OF MATERIAL			
Item No.	Discription	OFBH Drg. No.	Qty
1	Linkage	OFBH/SK/1538	1
2	Axis	OFBH/SK/1539	1
3	Lever	OFBH/SK/1540	1
4	Ring	OFBH/SK/1541	1
8	Yoke	OFBH/SK/1542	1

NOTE:-
 1) Ends of the Ring (Item 4) should be welded.
 2) Axle (Item 2) Riveted or welded.
 3) Lever (Item 3) should freely rotate.

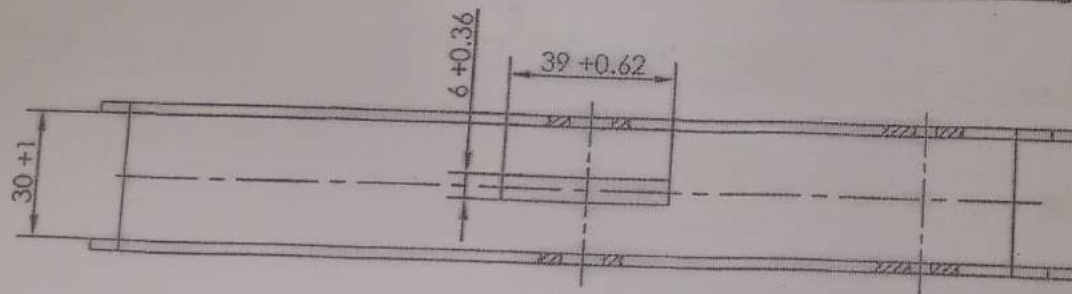
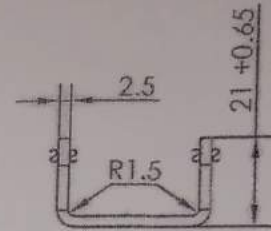
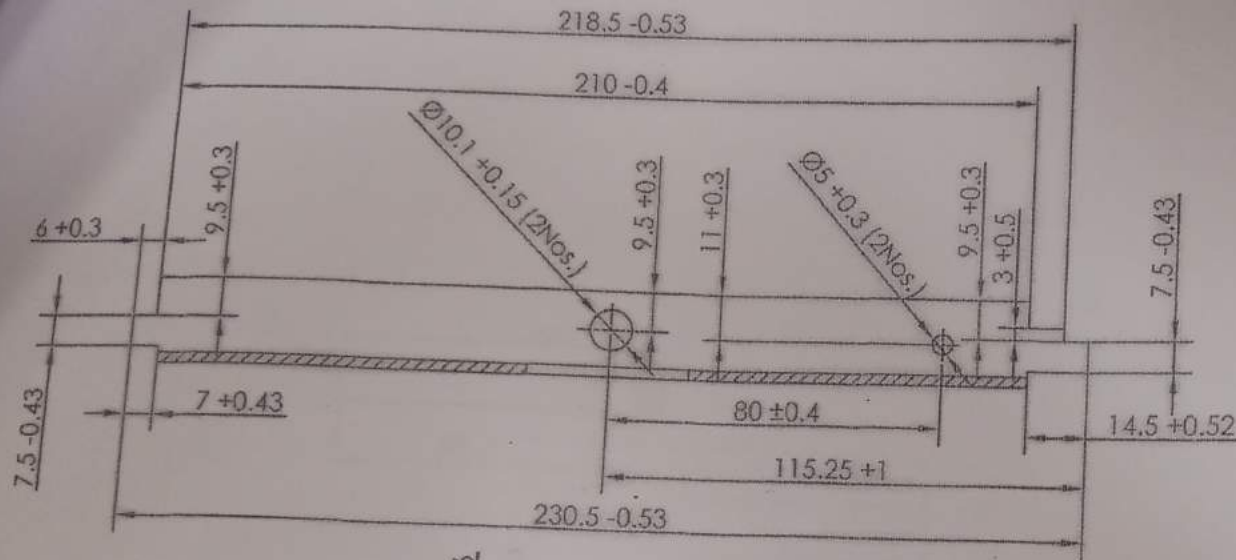
NOTE:-
 Samples should got approved before bulk supply.
 Drawing is for reference.

THIS DRAWING IS THE PROPERTY OF O.F. BHUSAWAL
 MINISTRY OF DEFENCE, GOVT. OF INDIA. IT SHOULD NOT
 BE COPIED / REPRODUCED IN ANY WAY.

TITLE :- LATCH SUB ASSEMBLY for Metallic Container for OF Bhandara		2021	NAME	SIGN	DATE
		JWM/SHOP	N. PRAKASH	<i>[Signature]</i>	27/12
		DGN./DRN.	R.R. SAHARE	<i>[Signature]</i>	07/12
		JWM/CHD	N. TADVI	<i>[Signature]</i>	21/12
		HQS/DO	V. KANDWAL	<i>[Signature]</i>	29/12
		DIY.O/DO	AKASH VERMA	<i>[Signature]</i>	30/12
NOTE :- 1) ALL DIMENSIONS ARE IN MM. 2) UNSPECIFIED TOLERANCES AS PER IS 2102 (MFD).					
SCALE :- NTS	ORDNANCE FACTORY BHUSAWAL	ID NO:- Drg/ Metallic container			
		DRG. NO:- OFBH/SK/1534			

R.NO.	DATE	AUTHORITY	REVISION	SIGN.
1				
2				
3				
4				

ENSURE SURFACE FINISH $\nabla 3$
UNLESS OTHERWISE SPECIFIED.



MATERIAL:-
SHEET TO SPEC. IS:1079:1988, GR.St.34.

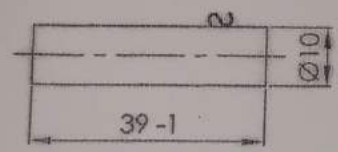
NOTE:-
Samples should got approved before
bulk supply. Drawing is for reference.

TITLE :-			
LINKAGE			
for Metallic Container for OF Bhandara			
2021	NAME	SIGN	DATE
JWM/SHOP	N. PRAKASH	<i>[Signature]</i>	27/3
DGN./DRN.	R.R.SAHARE	<i>[Signature]</i>	27/3
JWM/CHD	N.TADVI	<i>[Signature]</i>	27/3
HOS/DO	V.KANDWAL	<i>[Signature]</i>	27/3
DIV.O/DO	AKASH VERMA	<i>[Signature]</i>	27/3
NOTE :- 1) ALL DIMENSIONS ARE IN MM. 2) UNSPECIFIED TOLERANCES AS PER IS 2102 (MED).			
SCALE:- NTS	ORDNANCE FACTORY BHUSAWAL		
ID NO:- Drg4/ Metallic container	DRG.NO:- OFBH/SK/1538		

DATE	AUTHORITY	REVISION	SIGN.
	2	3	4
			5
			6
			7
			8

REPRODUCED IN ANY WAY.

PROVIDE SURFACE FINISH $\nabla 3$
UNLESS OTHERWISE SPECIFIED.



MATERIAL :-
ROUND BAR TO SPEC. IS:1079:1988 Gr.S1.34.

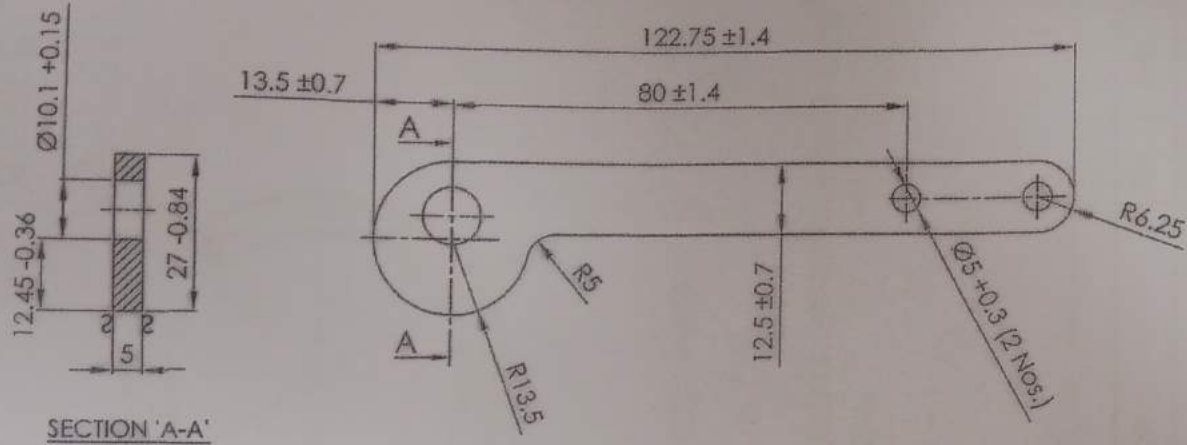
NOTE:-
Samples should got approved before bulk supply. Drawing is for reference.

REPRODUCE IN ANY WAY WITHOUT THE WRITTEN PERMISSION OF THE ORIGINATOR. IT SHOULD NOT BE REPRODUCED IN ANY WAY.

<u>TITLE :-</u>		2021	NAME	SIGN	DATE
AXIS for Metallic Container for OF Bhandara		DGN./DRN.	R.R.SAHARE	<i>[Signature]</i>	27/3
		JWM/CHD.	N.TADVI	<i>[Signature]</i>	27/3
NOTE :- 1) ALL DIMENSIONS ARE IN MM. 2) UNSPECIFIED TOLERANCES AS PER IS 2102 (MED).		JWM/HCS/DO	V.KANDWAL	<i>[Signature]</i>	27/3
		GO/DO	A.VERMA	<i>[Signature]</i>	27/3
SCALE :- NTS		JWM/SHOP	N. PRAKASH	<i>[Signature]</i>	27/3
		ORDNANCE FACTORY BHUSAWAL			
DRG. SEALED :-		ID NO: Drg./ Metallic container		DRG. NO.: OFBH/SK/1539	

R.NO.	DATE	AUTHORITY	REVISION	SIGN.
-------	------	-----------	----------	-------

PROVIDE SURFACE FINISH $\sqrt{2}$
 ACCURACY UNLESS OTHERWISE
 SPECIFIED.



MATERIAL:-
 SHEET TO SPEC. IS:1079:1988, GR.S1.34.

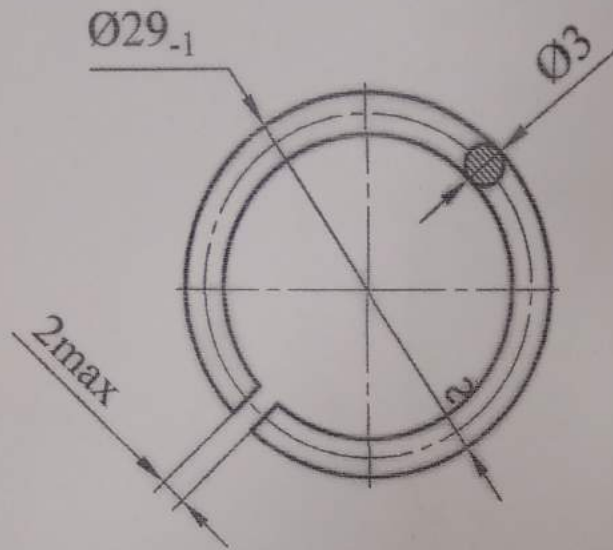
NOTE:-
 Samples should got approved before bulk supply.
 Drawing is for reference.

TITLE :-		LEVER		2021	NAME	SIGN	DATE
		for Metallic Container for OF Bhandara		DGN./DRN.	R.R.SAHARE	<i>[Signature]</i>	27/3
				JWM/CHD.	N.TADVI	<i>[Signature]</i>	27/3
				JWM/HOS/DO	V.KANDWAL	<i>[Signature]</i>	27/3
				GO/DO	A.VERMA	<i>[Signature]</i>	27/3
				JWM/SHOP	N.PRAKASH	<i>[Signature]</i>	27/3
NOTE :-		1) ALL DIMENSIONS ARE IN MM.					
		2) UNSPECIFIED TOLERANCES AS PER IS 2102 (MED).					
SCALE :-	NTS	ORDNANCE FACTORY BHUSAWAL		ID NO: Drg./J Metallic container			
DRG. SEALED :-				DRG. NO. OFBH/SK/1540			

THIS DRAWING IS THE PROPERTY OF THE INDIAN
 ARMY CORPS ENGINEERING DEPARTMENT AND SHALL NOT
 BE COPIED, REPRODUCED OR TRANSMITTED IN ANY FORM

R.NO.	DATE	AUTHORITY	REVISION	SIGN.

ENSURE SURFACE FINISH
UNLESS OTHERWISE
SPECIFIED.



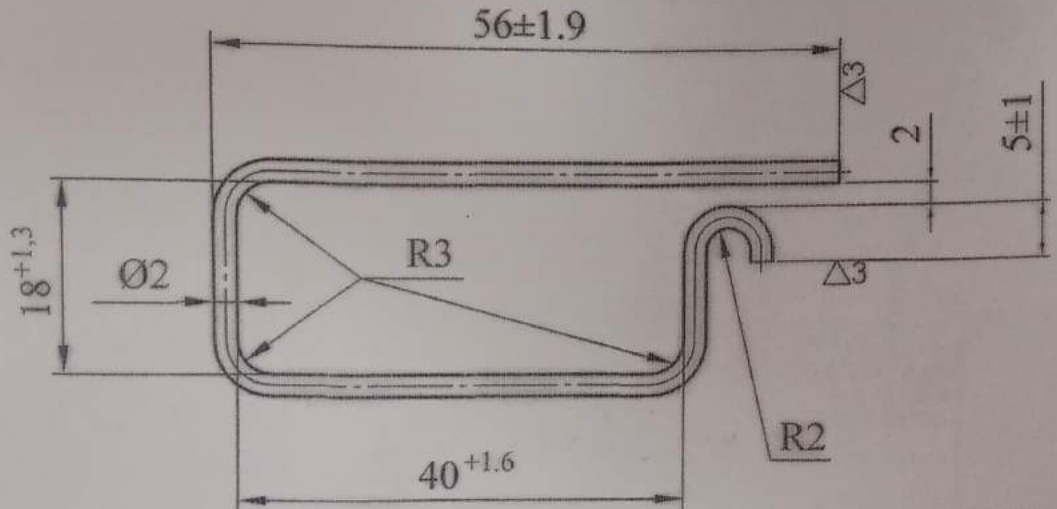
MATERIAL :-
WIRE TO SPEC. IS:280:1980 HARD.

NOTE:-
Samples should got approved before bulk supply.
Drawing is for reference.

ITEM	DESCRIPTION	QTY.	MATL.	TREATMENT	REMARKS
<u>TITLE:-</u> RING		2021	NAME	SIGN	DATE
for Metallic Container for OF Bhandara		HOS/SHOP	N. PRAKASH	<i>[Signature]</i>	27/3
NOTE :- 1) ALL DIMENSIONS ARE IN MM. 2) UNSPECIFIED TOLERANCES AS PER IS 2102 (MED).		DGN./DRN.	R.R.SAHARE	<i>[Signature]</i>	27/3
SCALE :- NTS		JWM/CHD.	N.TADVI	<i>[Signature]</i>	27/3
		HOS/DO	V.KANDWAL	<i>[Signature]</i>	27/3
		DIV.O/DO	A.VERMA	<i>[Signature]</i>	28/3
ORDNANCE FACTORY BHUSAWAL		ID NO. DRG_4/ Metallic container			
		DRG NO : OFBH/SK/1541			

THIS DRAWING IS THE PROPERTY OF OF BHUSAWAL
MINISTRY OF DEFENCE, GOVT. OF INDIA. IT SHOULD NOT
BE COPIED / REPRODUCED IN ANY WAY.

LEAVE ROUGH UNLESS OTHERWISE SPECIFIED



MATERIAL :-
WIRE TO SPEC. IS:280:1980, 1/2 GRADE.

NOTE:-
Samples should got approved before bulk supply.
Drawing is for reference.

THIS DRAWING IS THE PROPERTY OF THE ARMY. IT IS TO BE KEPT IN THE OFFICE OF THE DRAWING OFFICER. IT SHOULD NOT BE COPIED, REPRODUCED IN ANY MANNER.

TITLE:-		2021		NAME	SIGN	DATE
YOKE for Metallic Container for OF Bhandara		DGN./DRN.	R.R.SAHARE	<i>[Signature]</i>		27/3
		JWM/CHD.	N.TADVI	<i>[Signature]</i>		27/3
NOTE:- 1) ALL DIMENSIONS ARE IN MM. 2) UNSPECIFIED TOLERANCES AS PER IS 2102 (MED)		JWM/HQS/DO	V.KANDWAL	<i>[Signature]</i>		27/3
		GO/DO	A.VERMA	<i>[Signature]</i>		27/3
		JWM/SHOP	N. PRAKASH	<i>[Signature]</i>		27/3
SCALE:- NTS		ORDNANCE FACTORY BHUSAWAL		ID NO: Drg./Metallic container		
				DRG. NO: OFBH/SK/1542		

R.NO.	DATE	AUTHORITY	REVISION	SIGN.
DRG. SEALED :-				