

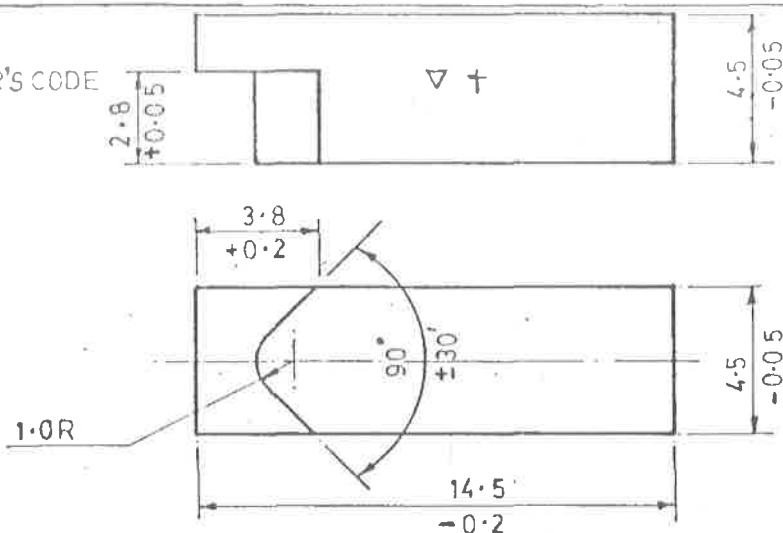
687700-9001

DRAWING CONVENTIONS CONFORM TO JSS-0174
DIMENSIONS ARE IN mm. GEN. TOL. MEDIUM IS:2102

MARKING ON SAMPLE BY STAMPING AS SHOWN IN THE DRAWING.

Yr. OF Mfg.

MANUFACTURER'S CODE



NSN: B1/1005-72-0000789

06.9.16	26931-SA	MATERIAL AMENDED			
10.05.10	26502.-SA	NSN ADDED			
28.7.2003	25820-SA	MARKING NOTE AMENDED			
26.05.2003	25752-SA	MARKING NOTE AMENDED AND PLACE OF MARKING SHOWN	A/3		
23.10.97	23943-SA	PROFORMA CHANGED, NOTE DELETED, MARKING NOTE ADDED, NEG. RE-TRACED AND DRG. PROV. RE-SEALED.			
		PREVIOUS D.C.NO.23750-SA & 23920-SA			COPY
DATE	AUTHY.	BRIEF RECORD	ZONE	I/C;D.O	G.O.
SEALED:-		PROV. DC. NO.23750-SA, DT. 20.3.97	SIGN.		
DRN.	CHD.	TRD. SK. <i>Arde</i>	COMP. <i>Arde</i>	AHSP CQA(SA), ICHAPUR	
SCALE:- 5:1		EST. MASS		ASSY. 1005-007880	
DT. 23-10-97 <i>Arde</i>		APPROVED DT. 7.9.81. NEG. RE-TRACED			
MATERIAL:- IS: 5517-1993 DESIGNATION-55 CB					
H.T./HARDNESS:- 375 TO 450 H.V.		DGNR'S REF. ARDE SK.2639/154			
PROTECTIVE PHOSPHATED TO SPECN. JSS:0465-01-1988 CLASS II (ACCELERATED), OIL FINISH.		PART NO.			
		DRG. NO.			
NOMENCLATURE:- PLUNGER MULTI-APPLICATION (WHEEL LOCK)		D.S. CAT. NO. 1005-007789			