

600800-9001 DS.CAT. NO. 1005-008009

MARKING (SUITABLY) ON SAMPLE / TAG.

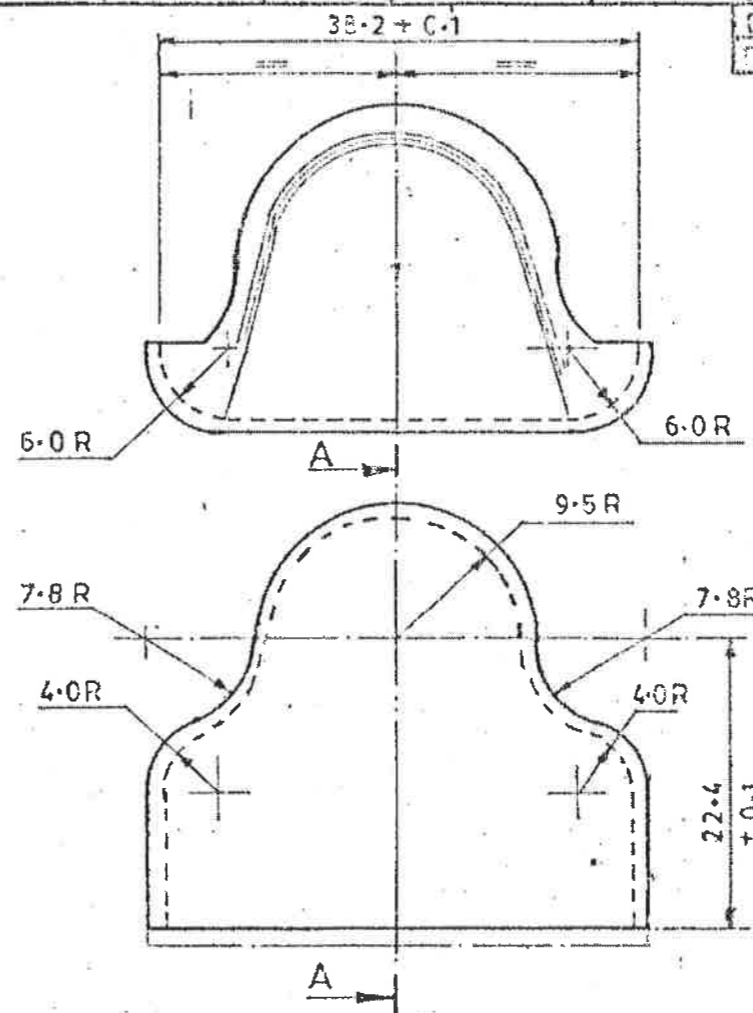
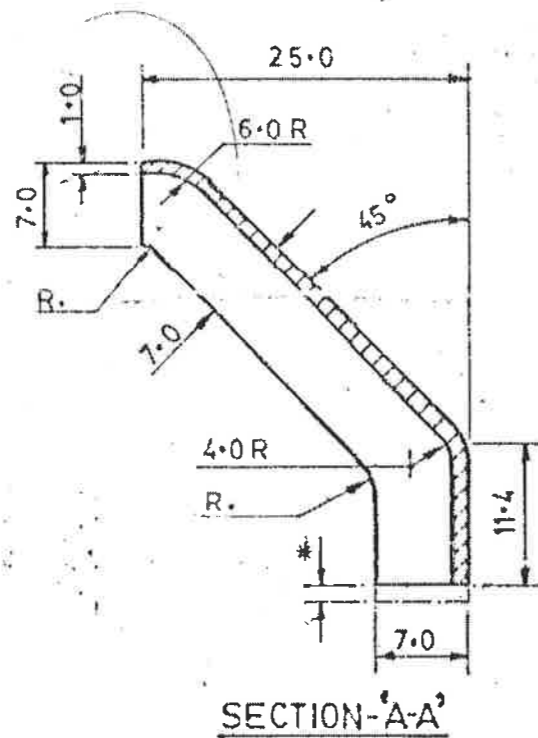
Yr. of Mfg.

MANUFACTURER'S CODE

DS. CAT. NO.

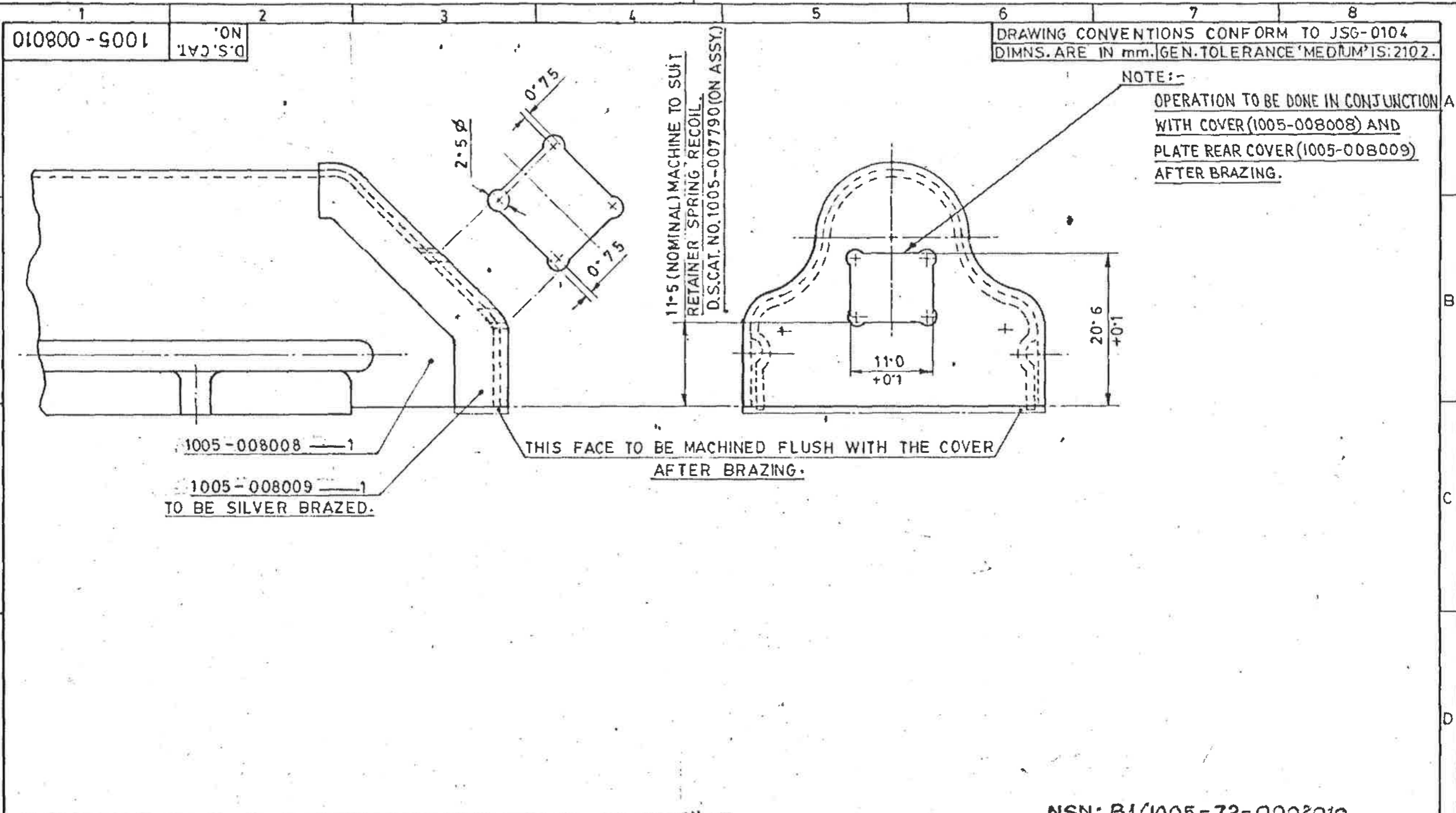
DRAWING CONVENTIONS CONFORM TO J59-0104
DIMENSIONS ARE IN mm. GEN. TOL. 'MEDIUM' IS ±0.1

* ADDITIONAL MATL. ALLOWED FOR MACHINING UP TO 3.0 ON ASSY.



NSN:BT/1005-72-0002009

26-05-10	24516-SA	NSN ADDED			CHD	TRD. <i>encl. 10/11/97</i>	COMP. <i>10/11/97</i>	AHSP CQA(SA), ICHADP
06-11-2000	24862-SA	DS CAT NO 1005-008009 ADDED AND IN ASSY COLUMN, 1005-008010 WAS ARDE SK 3143/85			<i>Andy</i>	EST. MASS	APPROVED DT. 26.6.95	ASSY. 1005-008010
25.11.97	23960-SA	PROFORMA CHANGED, MARKING NOTE ADDED, NEG. RE-TRACED AND DRG. PROV. RE-SEALED			<i>Andy</i>	DT. 25-11-97	1/C; D.O	NEG. RE-TRACED
		PREVIOUS DC. NO. 237 86-SA.				MATERIAL :-	STEEL TO BS:1449 PT.1:1983	DG NR'S
DATE AUTHY.		BRIEF RECORD	ZONE	1/C; D.O	G.O.	H.T./HARDNESS :-	320 TO 350 H.V.	REF. ARDE SK. 3143/79
SEALED :-		PROV. DC. NO. 23786-SA, DT. 27.3.97			SIGN.	PROTECTIVE FINISH :-		PART NO.
NOMENCLATURE :- <u>PLATE REAR COVER</u>								DRG. NO.
								DS. CAT. 1005-008009
								NO.



DRAWING CONVENTIONS CONFORM TO JSG-0104
DIMNS. ARE IN mm. GEN. TOLERANCE 'MEDIUM' IS: 2102.

NOTE:-
OPERATION TO BE DONE IN CONJUNCTION WITH COVER (1005-008008) AND PLATE REAR COVER (1005-008009) AFTER BRAZING.

11.5 (NOMINAL) MACHINE TO SUIT
RETAINER SPRING RECOIL.
D.S.CAT. NO. 1005-007790 (ON ASSY.)

THIS FACE TO BE MACHINED FLUSH WITH THE COVER AFTER BRAZING.

1005-008008 — 1
1005-008009 — 1
TO BE SILVER BRAZED.

NSN: B1/1005-72-0002010

11-11-10	26541-SA	ASSY. NO. ADDED							
26-6-10	26516-SA	NSN ADDED							
15-5-2001	25009-SA	NOTE ADDED.	7-8/A						
6-11-2000	24862-SA	DS CAT NOS ADDED AND NOMENCLATURE AMENDED							
11.12.97	23979-SA	PROFORMA CHANGED, NOTE DELETED, NEG. RE-TRACED AND DRG. PROV. RE-SEALED. PREVIOUS D.C. NO. 23791-SA.							
DATE	AUTHY.	BRIEF RECORD	ZONE	I/C; D.O.	G.O.	HT./HARDNESS:-	AHSP. CQA(SA), ICHAPUR		
SEALED:- PROV. D.C. 23791-SA, DT. 29.3.97				SIGN.		MATERIAL:-		ASSY. 1005-008011 & 1005-557870	
NOMENCLATURE:- COVER AND PLATE BRAZING						PROTECTIVE PHOSPHATE TO SPECN. JSS-0465-01-1988		DGNR'S REF. ARDE SK. 3143/85	
						FINISH:- CLASS-II (ACCELERATED), OIL FINISH.		PART No.	
								DRG. NO.	
								D.S.CAT. NO. 1005-008010	