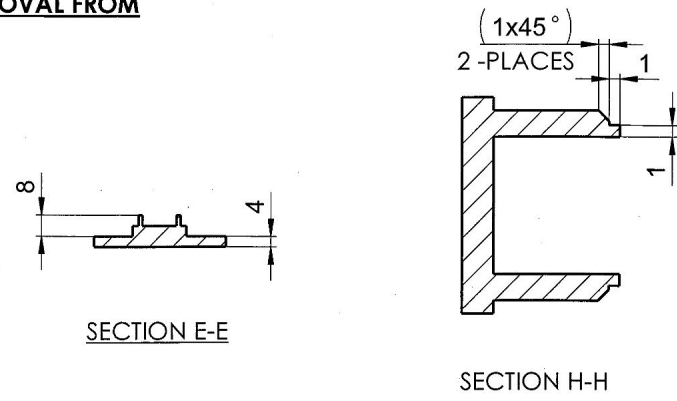
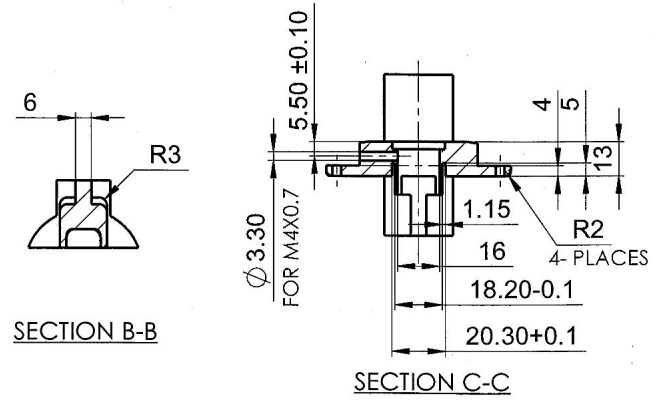


**MANUFACTURER SHOULD SUPPLY THE SAMPLES AND GET THE APPROVAL FROM OFT FOR BULK PRODUCTION.**



MATL:-OXH3M ØA-0-90 (GOST B 5192=78)  
(OR) BS:970, PART-1,1983-817M40.  
HARDNESS: 24-32HRC

**DIMENSIONS GIVEN ARE SUITABLE TO MANUFACTURE 30P 3011**

*b. Subbar.*  
**HOS/PS-5**

DIMENSIONS ARE IN mm.  
UNTOLERATED DIMENSIONS AS PER IS:2102(MED)

AMENDMENTS	SIG. & DATE	SIGNATURE & DATE.	SUB: REAR CROSS 98% FINISHED	SCALE: NTS
			FOR: REAR FRAME ASSY.	STORE DRG.NO. 30P 3011
			OF: 40mm MGL	OPERATION NO.
			DES.REF.NO.	
			DRG. No.: TEND - 2654	
			ORDNANCE FACTORY TIRUCHIRAPPALLI-16.	SHEETS: 1
		APPROVED ON. 02.02.2021		SHEET No.: 1

UN CONTROLLED COPY  
CERTIFIED CORRECT COPY OF APPROVED  
DRAWINGS AT THIS DATE  
25.05.2021  
DESIGN & DRAWING OFFICE  
ORDNANCE FACTORY, TIRUCHIRAPPALLI-600 016