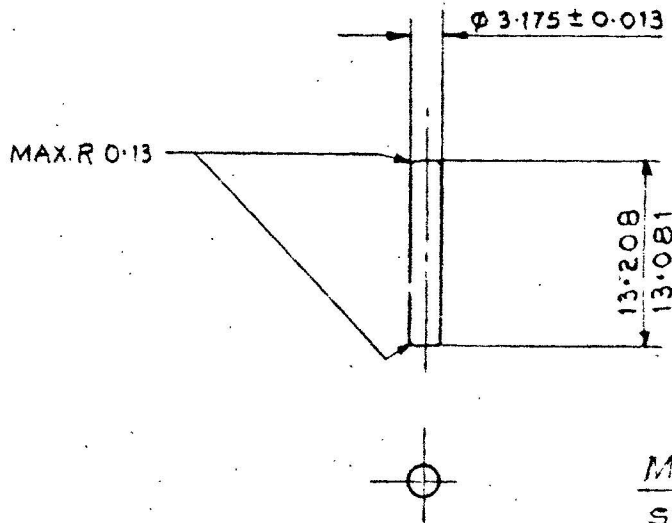


Q.X.1376

FOR EXPLANATION OF DIMENSIONING ETC, SEE B.S. 308-1953.

PART No DIMENSIONS ARE IN mm

DCI. 25257-A



MATERIAL:-

STEEL TO SPECN. BS 970
 Pt 1: 1983 GR 303 S31
 COLD DRAWN

R.N:	DATE	AUTHORITY	REVISION	ZONE	AHSP D.O. SIGN.
	10-05-11		DRG SCANNED WITHOUT CHANGE & NEG.REPLACE.		
	27-11-87	DCI. 34279-A	MATL SPECN. AMENDED		(B)
	27-6-87	DCI.34168-A	MATL. AMENDED & D.S. CAT No ADDED.		
	22-6-87		RETRACED WITHOUT CHANGE.		
			PREVIOUS D.C. (D) Nos:- 25257-A & 32465-A.		SD/-

DRG. SEALED - 17-1-59

PRN:-	CHD:- SD/-	TCD:- SWS	COMP. <input checked="" type="checkbox"/>	ASSY. DRG.
C'DMAN	D/C DO.	SCALE:- 2:1	EST. MASS:-	
APPD	FOR C.I (A)	GAUGE SCHD:-	DATE:- 23-4-55	
MATERIAL:- AS ABOVE				
PROTECTIVE FINISH:-				DESIGNER'S REF I.A.3055
<p style="text-align: center; font-size: 2em;"><u>PIN.</u></p>				L5/8131/E/821
				PART No
				Q.X.1376
				D.S. CAT. No
				1390-000266
				AHSP:- C.I. (A) KIRKEE.