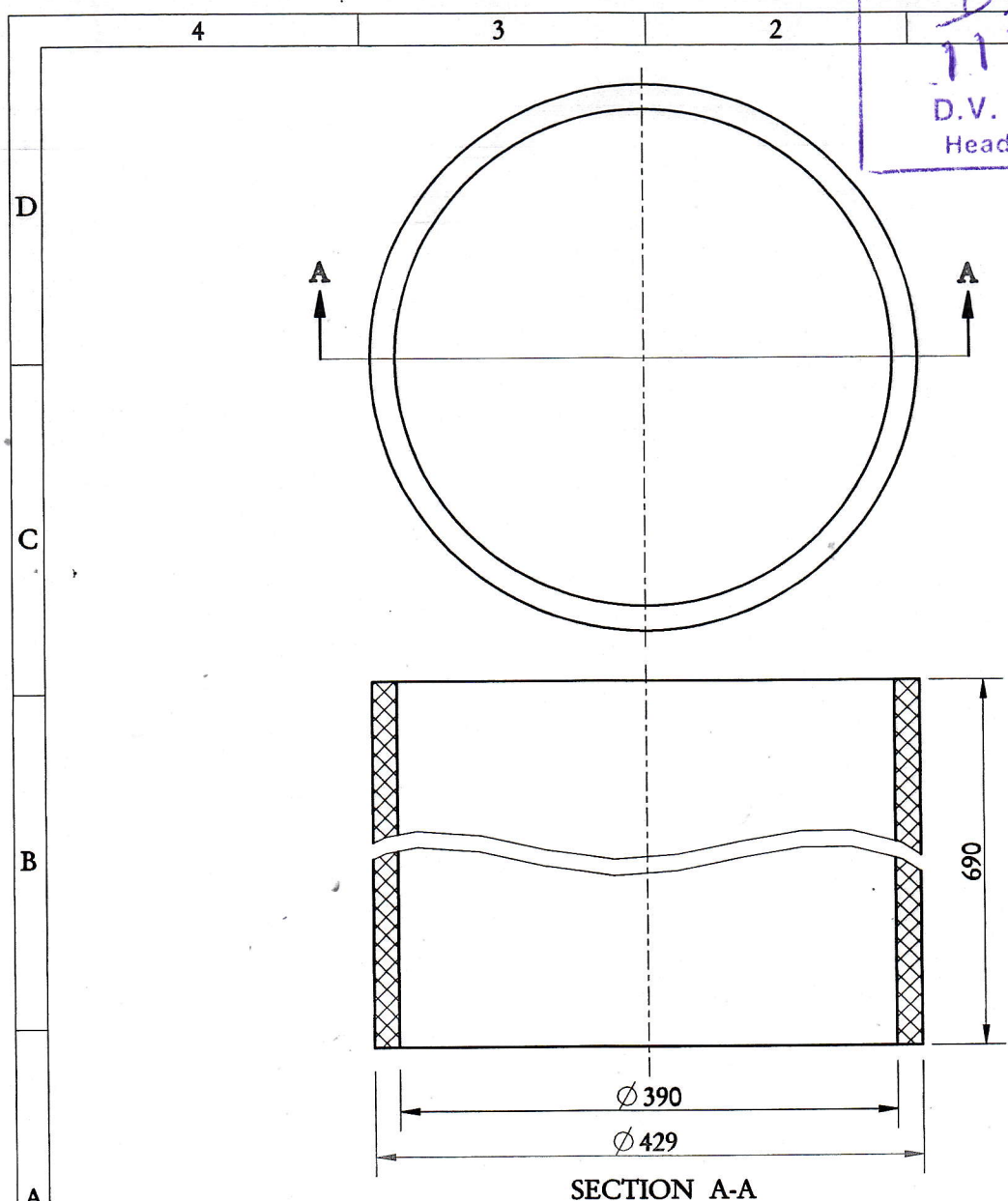


Drawn for AKASH Production and issued to BDL

D.V. Subba Rao
 11 SEP 2014
 D.V. Subba Rao
 Head, Akash-TTG



REVISION	R.No.	DATE	AUTHORITY	ZONE	BRIEF RECORD	INITIALS
						<i>Ap</i>

DEVIATION FOR UNTOLERANCED DIMENSIONS TO CONFORM TO SPEC. IS : 2102, MEDIUM (PART 1 & 2) : 1993			DRAWN TO SPEC. IS : 10714-1983(R 1999), IS : 10714 (PART 20) : 2001 & IS : 10714 (PART 21) : 2001 AND DRDL NOTE SHT. 1 & 2			
SCALE: 1:5		MATL.: FELT				
DIMENSIONS ARE IN mm.		DATE		NAME		
DRN	21-10-11	G.S.RAJU		FINISH:		
MASS : 15.579 kg		APPD (DGN)		APPD (DRG)		
SIDE PAD BOTTOM			ASSY DRG No. RPD/AK/CA/01 01 00 00			
			DRG. No. RPD/AK/CA/01 01 00 02			
Defence Research & Development Laboratory HYDERABAD						