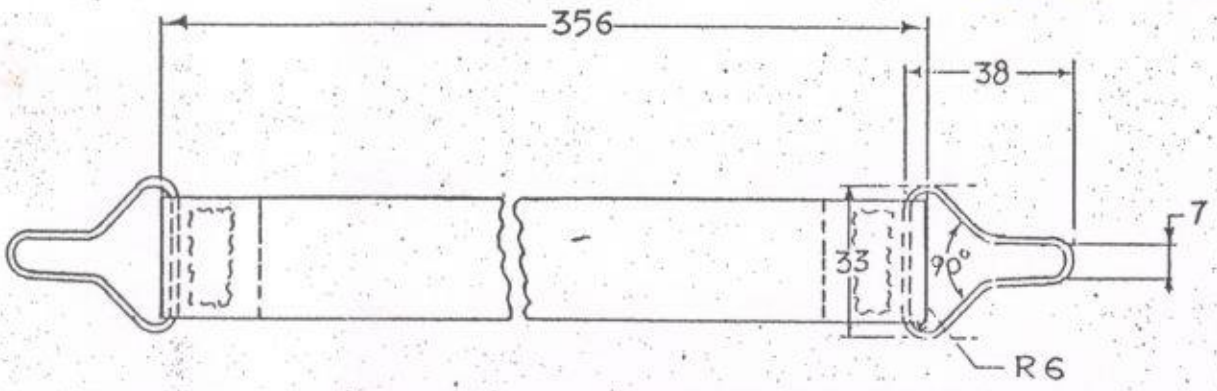


FOR EXPLANATION OF DIMENSIONING, ETC., SEE CQA(II) GUIDE NO 001-1992
THIRD ANGLE PROJECTION
DIMENSIONS ARE IN mm.

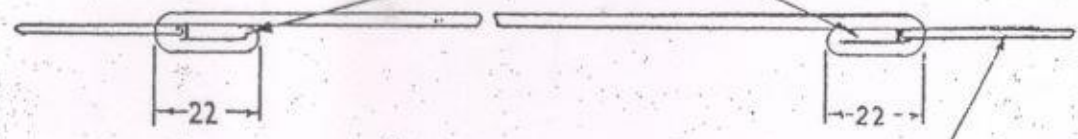
MCT-3225

(H)

FOR TRADE USE
Date of Issue 07/02/2000



END FOLDED UNDER & SECURELY STITCHED



2 LOOPS (1 EACH END)
MATL. MILD STEEL
WIRE Ø 2.5 1/2 H OF
IS: 280-1978

FINISH: PHOSPHATED CLASS A-2
TO IS: 3618-1966
(FOR LOOP)

STRAP

CAT/PT. No.
4933-000283

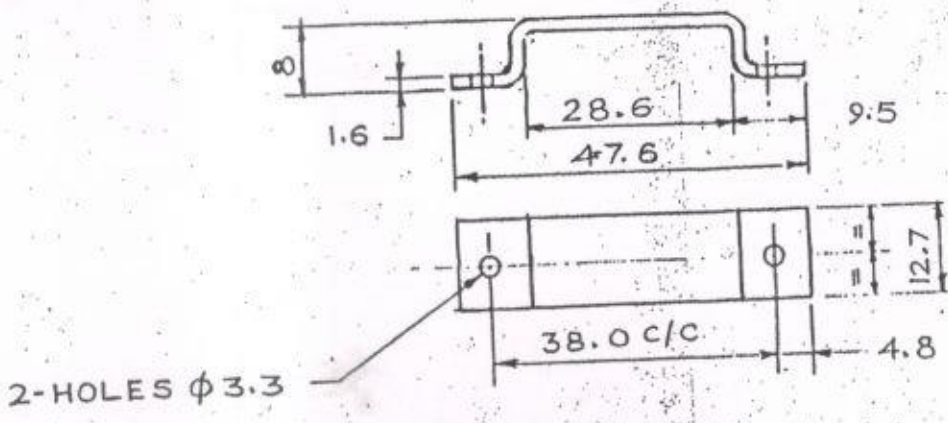
DC(1) :- 4989-SA.611-I,4091-I,5589-I.
 DRG. UPDATED AT CQA(1) DEHRA DUN
 CHECKED *[Signature]* CHECKED:- *[Signature]*
 DATE:- 22.7.92 For QMT

		C.I.A. (F.C) 2434	
		DETAIL No.	
		DRAWN	CHECKED
		TRACED	
		M.R. 586 A	
		15 SHTS	SHT. 11
		SCALE	SEALED
		NOT TO SCALE	0/11289
		17.7.46	
D.C. (1):- 5589-I.- UPDATED DRG, SEALED IN SUPERSESION OF EXISTING ONE		MATERIAL:- WEB THICK QG 25mm WIDE OF IS: 6488-1987	
AMENDMENTS	SIG	DATE	
		16.9.92	
CASE, MORTAR SIGHT TESTING APPARATUS, MK I		DATE :- 13 DEC. 45 FOR C.I.A	

FOR EXPLANATION OF DIMENSIONING, ETC., SEE CQA(II) GUIDE NO 001-1992
THIRD ANGLE PROJECTION

(J)

D.C.(I):- 4989 - S.A., 611-I, 4091-I, 5589-I.



2-HOLES ϕ 3.3

FOR TRADE PHOTOS
Date of Issue: 02/03/92

LOOP

FINISH - ANODISED AC-5 TO IS:1868-1982

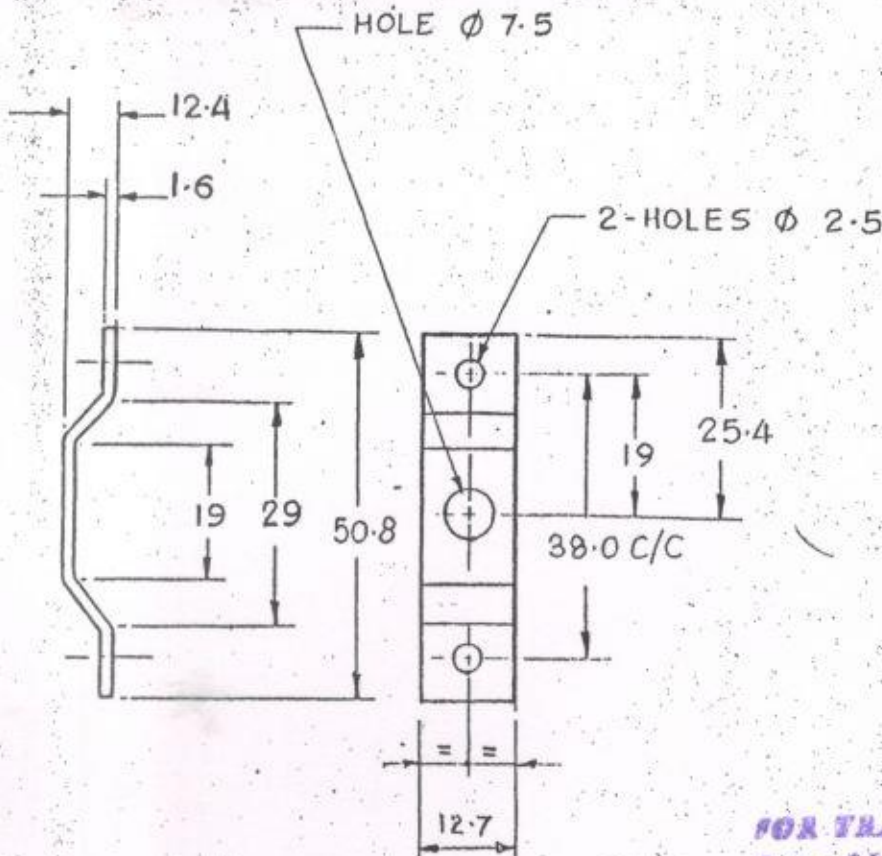
CAT/PT. No.
4933-000283

DRG. UPDATED AT CQA (I) DEHRG. DUN.
CHECKED - [Signature] For QM II
DATE - 22.7.92

C.I.A. (F.C) 2434	
DETAIL No.1	
DRAWN sd-	TRACED sd- CHECKED
M.R. 586 A	
15 SHTS	SHT.12
SCALE - NOT TO SCALE	SEALED c/11289 17.7.46 sd-
D.C.(I):- 5589-I. - UPDATED DRG, SEALED IN SUPERSESSION OF EXISTING ONE. ✓	
AMENDMENTS	DATE 16.9.92
CASE, MORTAR SIGHT TESTING APPARATUS, MK I	13 DEC.45 sd- DATE FOR CIA

FOR EXPLANATION OF DIMENSIONING, ETC., SEE CQA(I) GUIDE NO 001-1992
THIRD ANGLE PROJECTION
DIMENSIONS ARE IN mm.

(K)



FOR TRADE ONLY
Date of Issue 03/03/2020
Ry-

FINISH:- ANODISED AC-5 TO IS: 1868-1982

LOOP

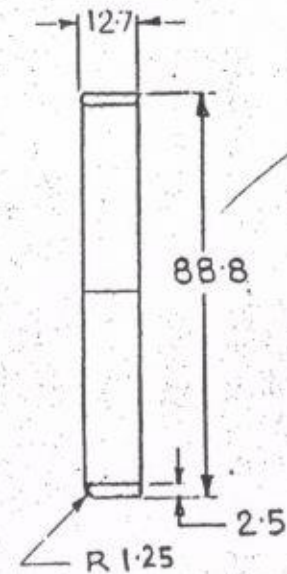
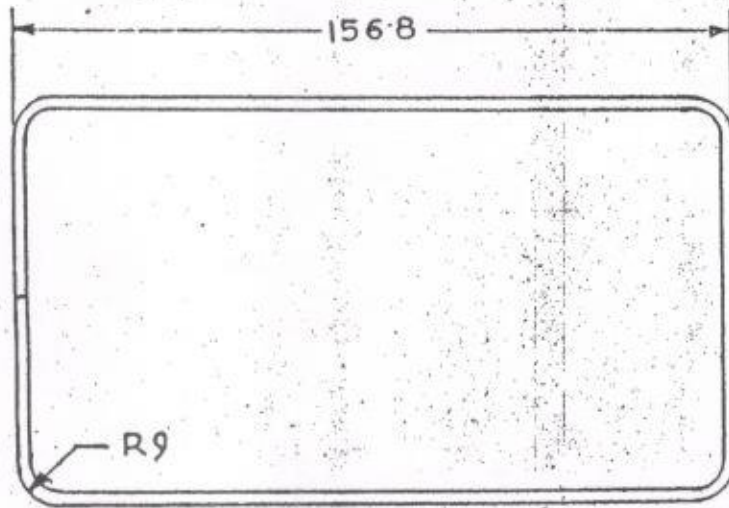
CAT/PT. No.
4933-000283

DRG UPDATED AT CQA(I) D, DUN
 CHD BY *[Signature]*
 DATE:- 22.7.92 For Q M II

		C.I.A. (F.C) 2434	
		DETAIL No 1	
		DRAWN	TRACED CHECKED
		M.R. 586 A	
		15 SHEETS	SHEET 13
		SCALE	SEALED
		NOT TO SCALE	c/11289 17.7.46
D.C.(I):- 5589-I.- UPDATED DRG. SEALED IN SUPERSESSION OF EXISTING ONE		DATE	
AMENDMENTS		DATE	
CASE, MORTAR SIGHT TESTING APPARATUS, MK I		13 DEC 45 DATE	Sd/- FOR CIA

D.C.(I):- 5589-I.- UPDATED DRG. SEALED IN SUPERSESSION OF EXISTING ONE
DATE: 16.9.92

FOR EXPLANATION OF DIMENSIONING, ETC., SEE CQA(II) GUIDE NO 001-1992
THIRD ANGLE PROJECTION DIMENSIONS ARE IN mm.



TO BE A CLOSE FIT IN PART 'E'
NO GAP AT BUTT JOINT.

FOR TRADE ONLY
Date of Issue: 02/02/2010
Rif

FINISH:- ANODISED AC-5 TO IS:1868-1982

JOINT

CAT/PT. No.
4933-000283

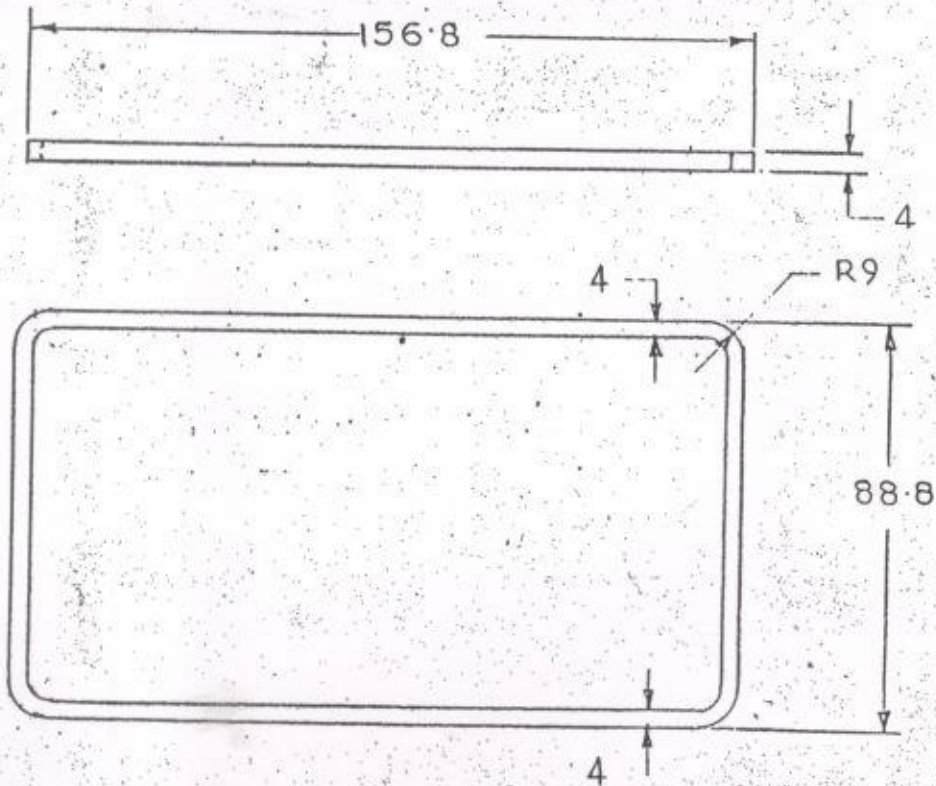
D.C. (I) :- 5589-I, 4091-I, 5589-I.

DRG. UPDATED AT CQA(CI) DEHRADUN
CHECKED :- *Chak* FOR QM II
DATE :- 22-7-92

		C.I.A. (F.C) 2434	
		DETAIL No.1	
		DRAWN	TRACED
		CHECKED	
		M.R. 586 A	
		15 SHTS	SHT.14
		SCALE :-	SEALED
		NOT TO SCALE	C/11289
			17.7.46 sd-
D.C.(I) :- 5589-I. UPDATED DRG. SEALED IN SUPERSESION OF EXISTING ONE. <i>16.9.92</i>		MATL. :-	
AMENDMENTS		AL. ALLOY SHEET 64430 WP	
DATE		OF IS: 737-1986	
CASE, MORTAR SIGHT TESTING APPARATUS, MK I		13 DEC. 45	
		DATE	
		sd/- FOR C.I.A.	

FOR EXPLANATION OF DIMENSIONING, ETC., SEE (C.Q.A(II) GUIDE NO 001-1992
THIRD ANGLE PROJECTION
DIMENSIONS ARE IN mm.

(M)



MAY BE MOULDED IN PART G.
MAY BE MOULDED SEPARATELY
MAY BE MADE FROM STRIP & SCARF JOINT.

FOR TRADE ONLY
Date of issue 03/02/2010
All

SEAL

CAT/PT. No.
4933-000283

C.I.A. (F.C) 2434
DETAIL No.1

DRAWN TRACED CHECKED

M.R. 586 A

15 SHTS. SHT.15 ✓

SCALE: NOT TO SCALE
SEALING: c/11289
17.7.46 sd/-

MATL.: - VULCANISED NATURAL RUBBER TYPE B Gde. 2 OF IS: 5192 - 1975

13 DEC. 45
DATE sd/- FOR C.I.A.

D.C. (I) :- 5589-I-UPDATED DRG. SEALED - IN SUPERSESSION OF EXISTING ONE.

16.9.92

AMENDMENTS

DATE

CASE, MORTAR SIGHT TESTING APPARATUS, MK I

ORG. UPDATED AT CQA (I) JHRA DUN
CHECKED: -
DATE: 22.7.92
FOR QM II

D.C. (I) :- 4989-S.A., 5981-S.A., 611-I, 3519-I, 4091-I, 4304-I, 5589-I.