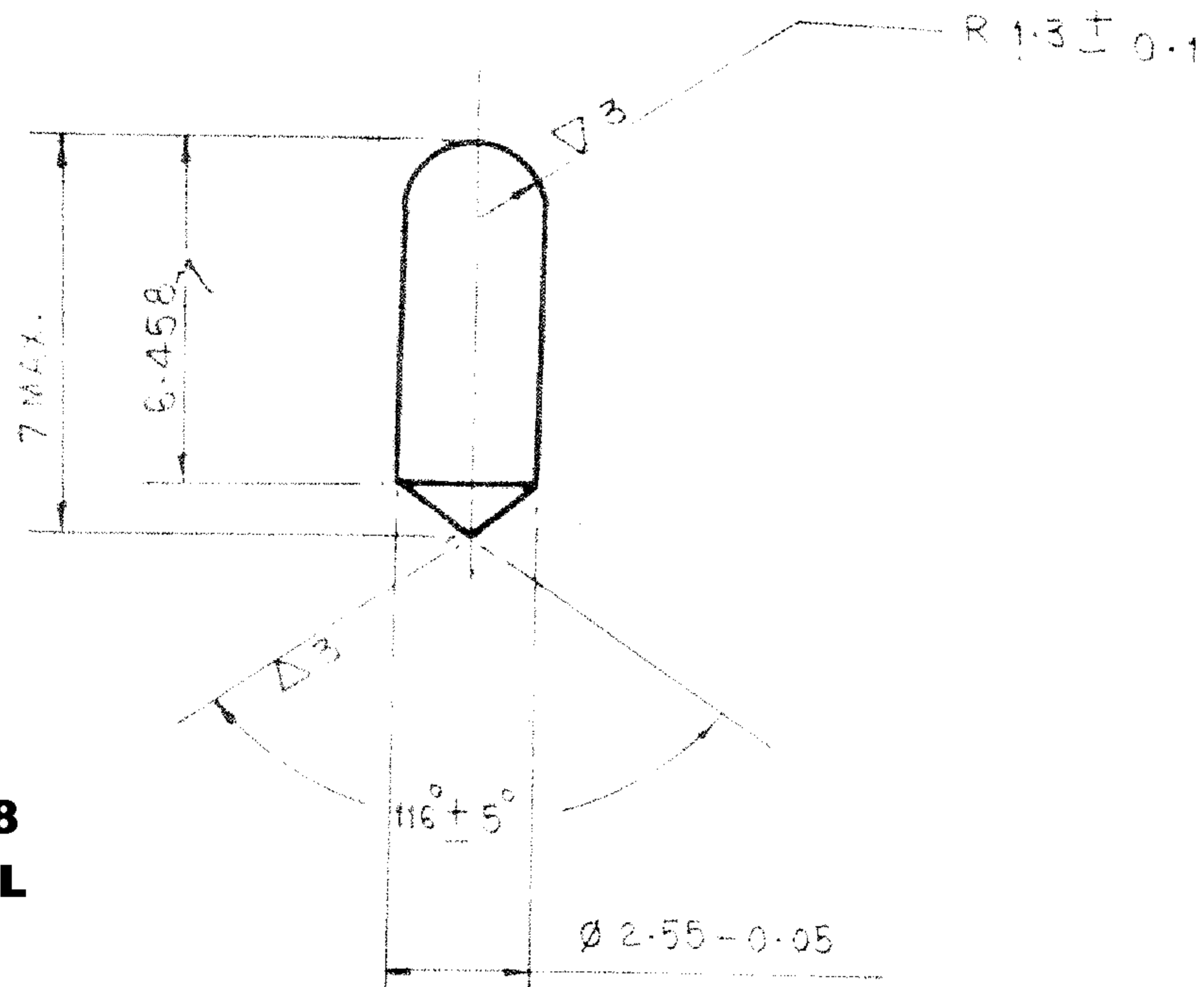


21



3-016919

D.O. 28794-A



MATERIAL-
BS En 12166 : 1998
MATERIAL SYMBOL
CuZn40Pb2,
NUMBER CW617N,
CONDITION R430

- 1) ON SMOOTH TRANSITION FROM $R 1.3 \pm 0.1$, TO THE GENERATING LINE OF THE CYLINDER $\phi 2.55 - 0.05$ IS PERMITTED.
- 2) THE SURFACES NOT BEARING THE SIGN OF SURFACE FINISH MUST SATISFY THE REQUIRMENTS FOR THE MATERIAL.
- 3) LACQUERING - TO BE LACQUERED WITH 3-5% SHELLAC HAC - TY ΓAY 4331-54
- 4) THE WIRE ROD TO BE GAUGED TO $\phi 2.55 - 0.03$ AFTER ENSURING TECHNICAL REQUIREMENTS AS PER Γ OCT 1066-58.

PROTECTIVE TREATMENT :- IN INDIA TO BE COATED WITH APC NO 222 TO SPECN. JSS 1-63-11.

				3-016919		53-B-025y			
				STOP PIN		21			
						LETTER	MASS	SCALE	
		TRACED WITHOUT CHANGE					6	0.25	5:1
		PREVIOUS D.O. NOS 28794-A, 29306-A & 29486-A		SD/					
DATE	AUTHORITY	REVISION	AKSP D.O.						
			SIG.						
				MATERIAL SPCn. - AS ABOVE					