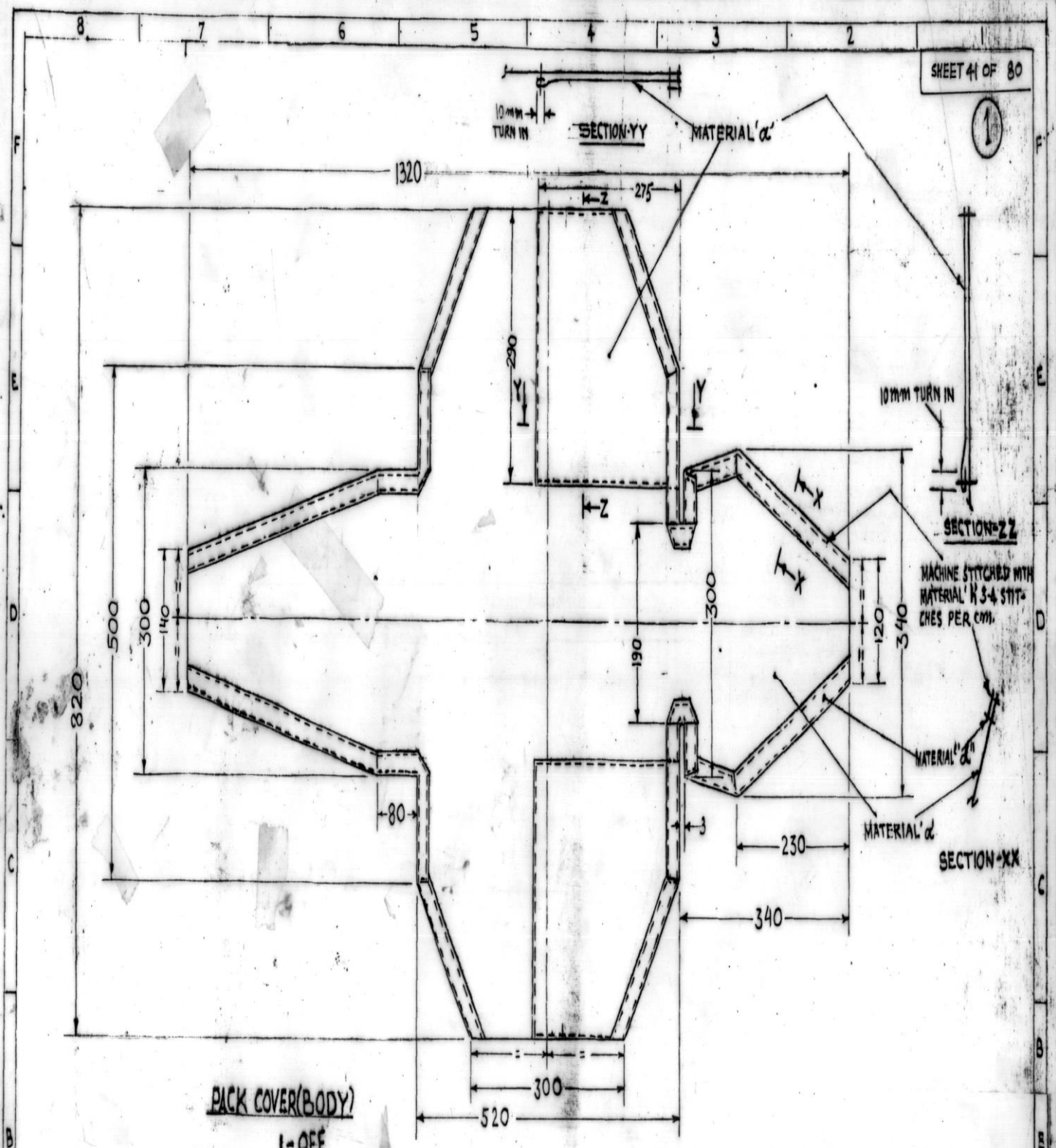



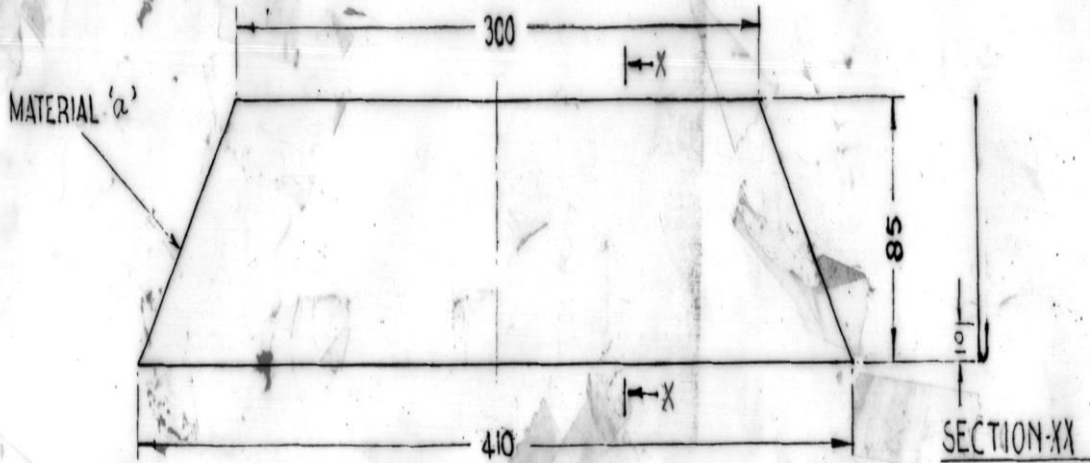
1



PACK COVER(BODY)
1-OFF

DRN <i>NIGIT/24</i>	DRD	MATERIAL:-	ADRDE, AGRA
CHD <i>Aluob</i>	<i>Tolu</i>	FINISH:-	
TRD	<i>PGD</i>		HEAT TREATMENT:-
COMR	<i>O/C</i>	APPROVED	
SCALE:- 1:15	PROJ. OFFR. <i>CG</i>	 PROJ. DIRECTOR (R.A.)	
	DIV. HEAD <i>CG</i>		
DIMENSIONS IN MM	HIGH ALTITUDE PARACHUTE (MAIN)		DRG. NO. <i>(1/10)</i>
TOLERANCE:-			ADRDE/1285/AS
ANSI/AIAA-3-017-1991			DRD/3798

R.No.	DATE	ZONE	AUTHORITY	DRIEF RECORD	O/C	PGD

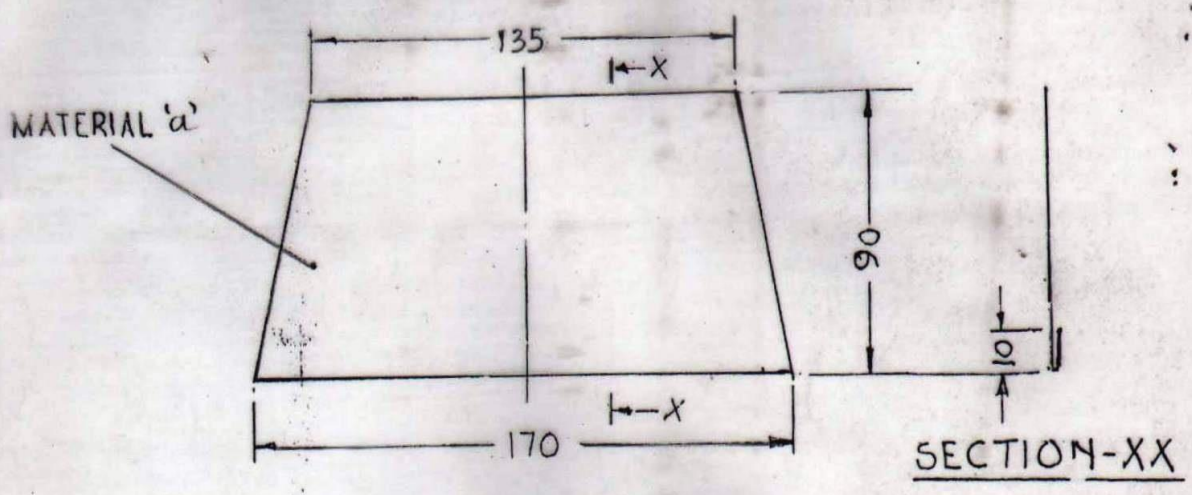


STRENGTHENING PIECE

2-OFF

DRN: W.C. LAL	DRD	MATERIAL:-	ADPDE, AGRA
CHD: <i>W.C. LAL</i>	<i>Td</i>	FINISH:-	
TRD	<i>PGD</i>		HEAT TREATMENT:-
COMR	<i>O/C</i>	APPROVED	
SCALE:- 1:1	PROJ. OFFR. <i>On</i>	HIGH ALTITUDE PARACHUTE (MAIN)	 PROG. DIRECTOR (P.A.) DRG. No. <i>(a) (c)</i> ADPDE/1283/13
	DIV. HEAD <i>On</i>		
DIMENSIONS IN MM			
TOLERANCE:- ANSI/ASME Y14.5-1991			

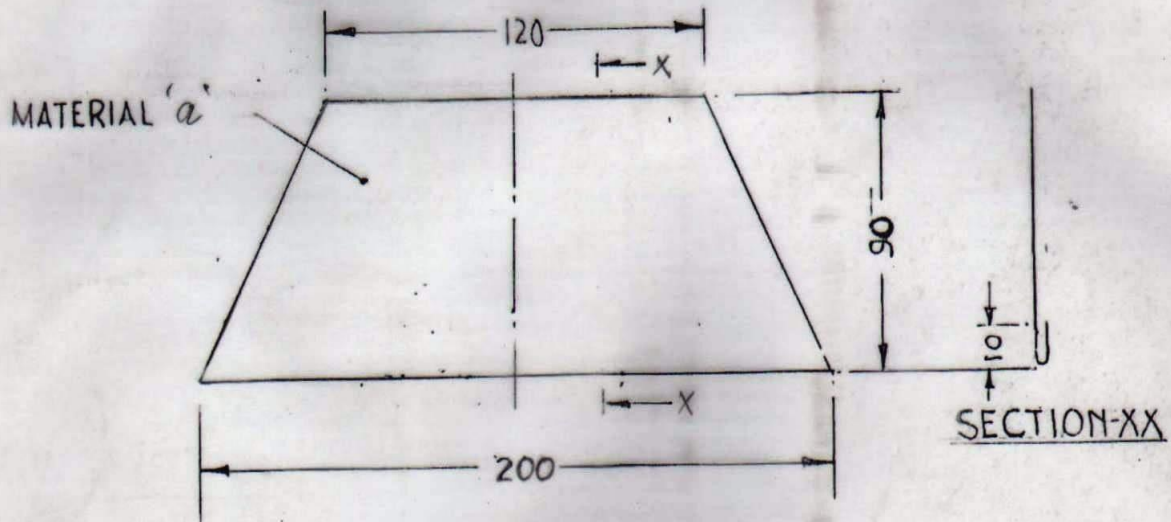
R.No.	DATE	ZONE	AUTHORITY	BRIEF RECORD	O/C	PGD



STRENGTHENING PIECE
1-OFF

R.No	DATE	ZONE	AUTHORITY	BRIEF RECORD		o/c	PGD
DRN. DALIP			DRD	MATERIAL:-		ADR DE AGRA	
CHD <i>Mishra</i>			<i>Tol</i>	FINISH:-			
TRD			o/c	HEAT TREATMENT:-			
COMP			PGD	APPROVED			
SCALE:- 1:2			PROJ. OFFR. <i>CV</i>	PROG. DIRECTOR (Q.A.)			
			DIV. HEAD <i>MS</i>	DRG. N. 11			
DIMENSIONS IN MM.				HIGH ALTITUDE PARACHUTE (MAIN)			
TOLERANCE:-				AORDE/1283/A3			
ANSI/A13A-S-017-1997				DRD/3/98			

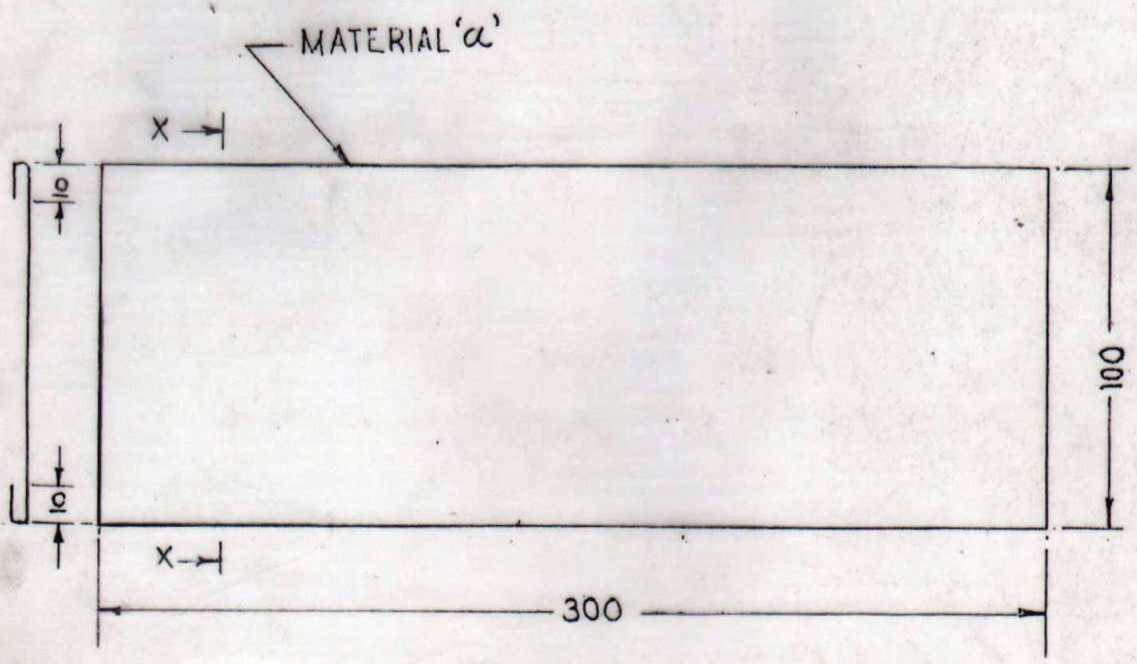
4



STRENGTHENING PIECE

1-OFF

R.No.		DATE	ZONE	AUTHORITY	BRIEF RECORD		o/c PGB	
DRN.	W.C.LAL	DRD		MATERIAL:-		ADR DE J. AGRA		
CHD.	<i>Alvick</i>	<i>7/4</i>	<i>4/4</i>	FINISH:-				
TRD		o/c	PGD	HEAT TREATMENT:-		APPROVED		
COMP.		PROJ. OFFR. <i>CV</i>		DIV. HEAD <i>...</i>				
SCALE:- 1:2		<p>HIGH ALTITUDE PARACHUTE (MAIN)</p>				PROG. DIRECTOR (Q.A.)		
DIMENSIONS IN MM.						DRG. No. <i>1283/A3</i> A ORDE / 1283 / A3		
TOLERANCE:- ANSI/AIAA-S-017-1997						DRD / 3 / 98		



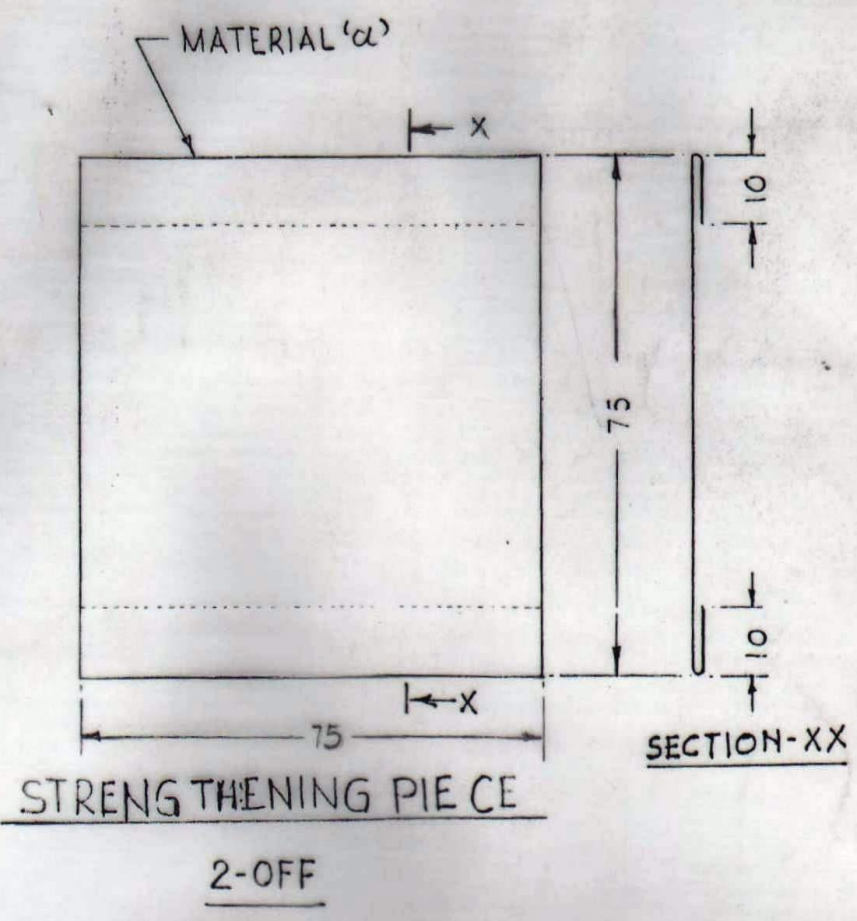
SECTION XX

STRENGTHENING PIECE

1-OFF

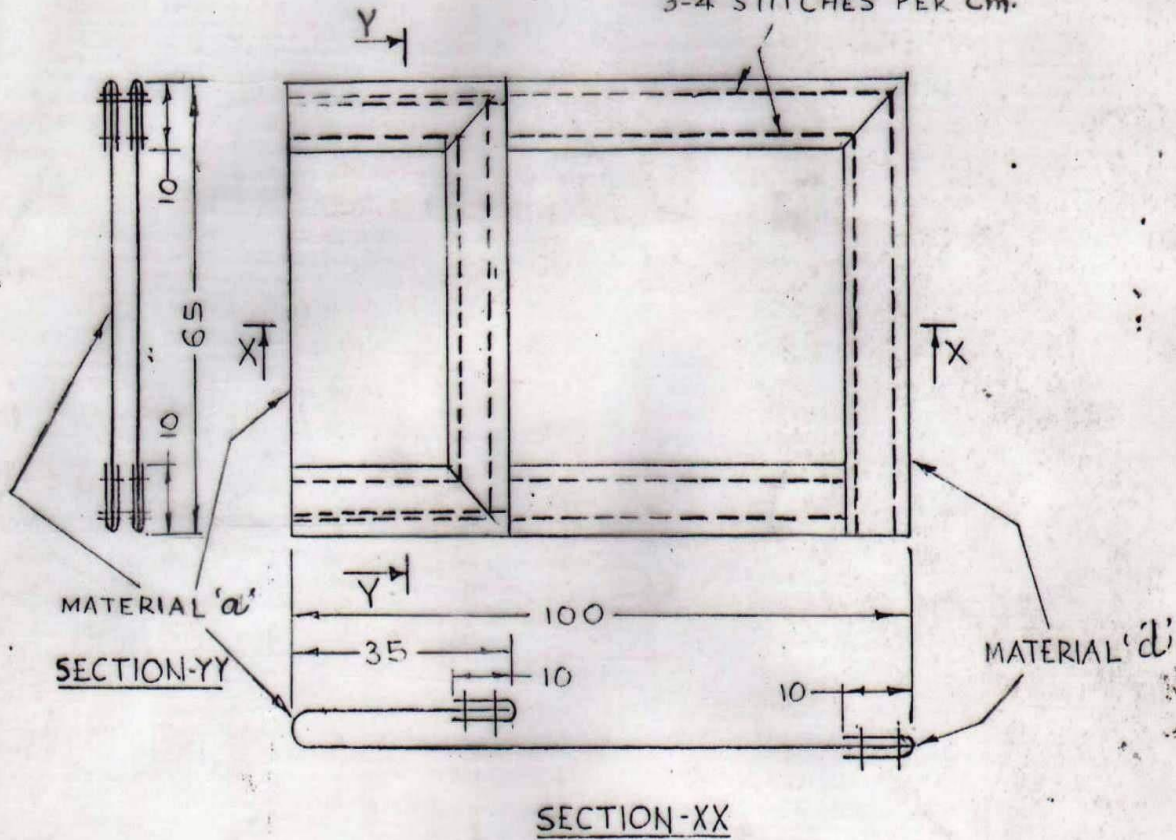
R.No.		DATE	ZONE	AUTHORITY	BRIEF RECORD		c/c	PGD
DRN.	W.C.LAL	DRD		MATERIAL:-		ADRDE, AGRA		
CHD	<i>Handwritten</i>	<i>Handwritten</i>		FINISH:-				
TRD		<i>Handwritten</i>		HEAT TREATMENT:-				
COMP.		o/c	PGD	APPROVED				
SCALE:- 1:2		PROJ. OFFR. <i>Handwritten</i>		DIV. HEAD <i>Handwritten</i>				
DIMENSIONS IN MM.		HIGH ALTITUDE PARACHUTE (MAIN)						
TOLERANCE:- ANSI/AIAA-S-017-1997				PROG. DIRECTOR (Q.A.)		DRG. No. <i>Handwritten</i> AORDE/1283/A3		

6



R.No	DATE	ZONE	AUTHORITY	BRIEF RECORD		O/C	PGD
DRN.	W.C.LAL	DRD		MATERIAL:-		ADRDE, AGRA	
CHD	<i>Abhidy</i>	<i>Tsk</i>	<i>Hj</i>	FINISH:-			
TRD		O/C	PGD	HEAT TREATMENT:-			
COMP.		PROJ. OFFR.	<i>cm</i>	DIV. HEAD		APPROVED	
SCALE:- 1:1		DIMENSIONS IN MM / IN					
TOLERANCE:-		ANSI/AIAA-5-017-				PROG. DIRECTOR (O.A.)	
1997		HIGH ALTITUDE PARACHUTE (MAIN)				DRG. No. A/DRDE/1283/A3 (c)	

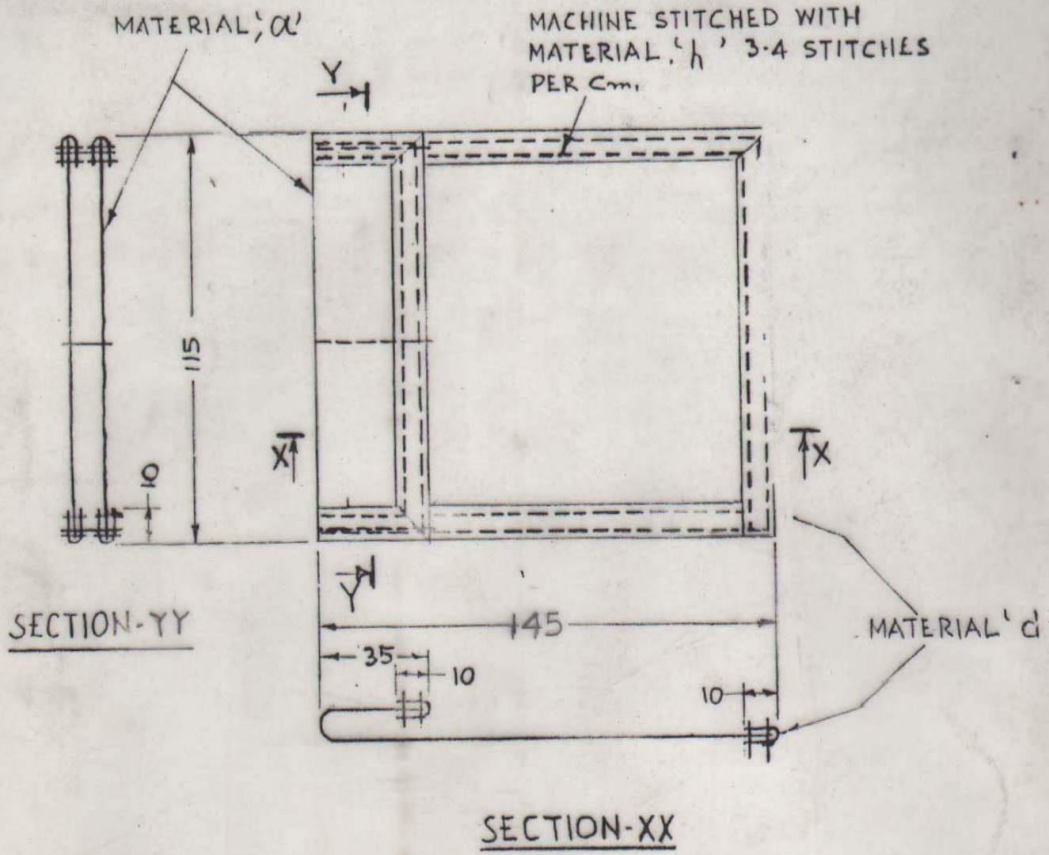
MACHINE STITCHED WITH MATERIAL 'h';
3-4 STITCHES PER CM.



PACKING LOOP (SMALL)

2-OFF

R.No.	DATE	ZONE	AUTHORITY	BRIEF RECORD		O/C	PGD
DRN. AVTAK SINGH			DRD	MATERIAL:-	ADRDE, AGRA		
CHD. <i>Shree</i>				FINISH:-			
TRD			O/C	HEAT TREATMENT:-			
COMP.			PGD		APPROVED		
SCALE 1:-1:1	PROJ. OFFR. <i>Sw</i>		DIV. HEAD <i>Sw</i>				
DIMENSIONS IN MM	HIGH ALTITUDE PARACHUTE						
TOLERANCE:- ANSI/AIAA-S-017-1997	(MAIN)						
				DRG No. <i>Sw</i>		AORDE/1283/A3	
				DRD, 3/98			



PACKING LOOP (LARGE)

2-OFF

R.No.	DATE	ZONE	AUTHORITY	BRIEF RECORD		O/C	PGD
DRN. <i>AVTAK SINGH</i>			DR.	MATERIAL:-	ADRIEN AGR		
CHD <i>Abadi</i>			<i>Taly</i>	FINISH:-			
TRD			<i>PGD</i>	HEAT TREATMENT:-	AP ROVED		
COMP.			O/C	SCALE 1:1.2	PROJ. OFFR. <i>W</i>		
				DIV. HEAD <i>W</i>	HIGH ALTITUDE PARACHUTE (MAIN)		PROG. DIRECTOR (Q.A.)
				DIMENSIONS IN MM.			DRG. NO. <i>(c)</i>
				TOLERANCE:-			A. ORDE/1283/A3
				ANSI/AIAA-5-017-1997			

6 5 4 3 2 1

MATERIAL 'A'

SHEET 49 OF 80

9



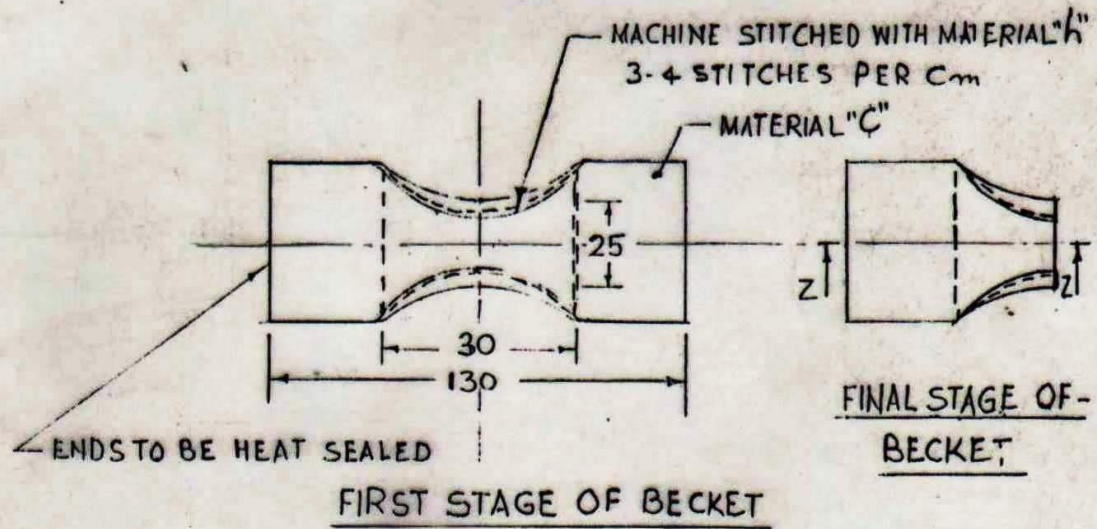
PACK COVER BASE

1-OFF

R.No.	DATE	ZONE	AUTHORITY	BRIEF RECORD			c/c	PGD	

DRN# 51458	ORD	MATERIAL-	ADRDE, AGRA
CHD	TRD	FINISH-	
COMP	o/c PGD	HEAT TREATMENT-	APPROVED <i>[Signature]</i>
SCALE 1:2	PROJ OFFR. DIV. HEAD		
DIMENSIONS IN MM	HIGH ALTITUDE PARACHUTE (MAIN)		PROG. DIRECTOR (R.A.)
TOLERANCE: ANSI/ASME Y14.5-1991			DRG. No. ADRDE/1203/A3

DRD/3/98



BECKET
8-OFF

FINAL STAGE OF-
BECKET

SECTION: Z Z

R.No.		DATE	ZONE	AUTHORITY	BRIEF RECORD		O/C	PGD
DRN.	W.C.LAL	DRD		MATERIAL:-		ADRDE ; AGRA		
CHD	Shro	Tshy	PGD	FINISH:-				
TRD		O/C		HEAT TREATMENT:-		APPROVED		
COMP.		PROJ. OFFR.		DIV. HEAD				
SCALE:- 1:2		<p>HIGH ALTITUDE PARACHUTE (MAIN)</p>				DRG. No. (a)(b)(c) AORDE/1283/A3		
DIMENSIONS IN MM.						DRD/3/98		
TOLERANCE:- ANSI/AIAA-S-017-1997								

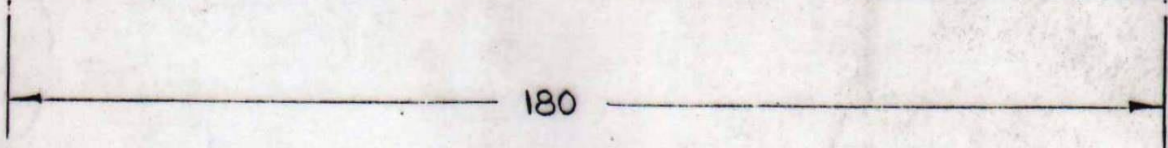
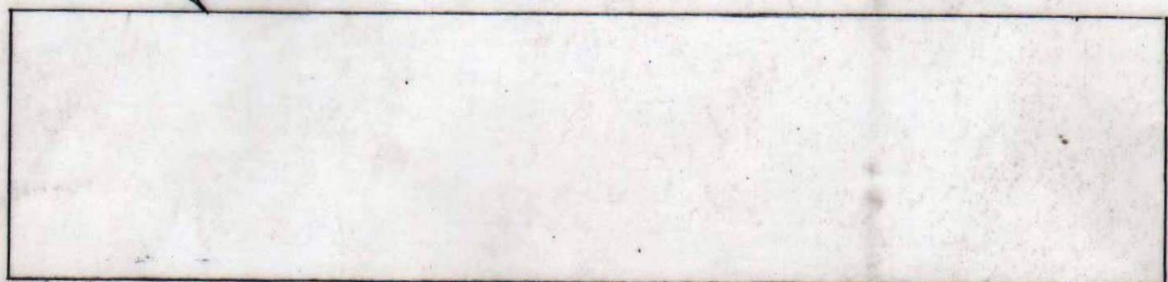
4

3

2

11

MATERIAL 'g'

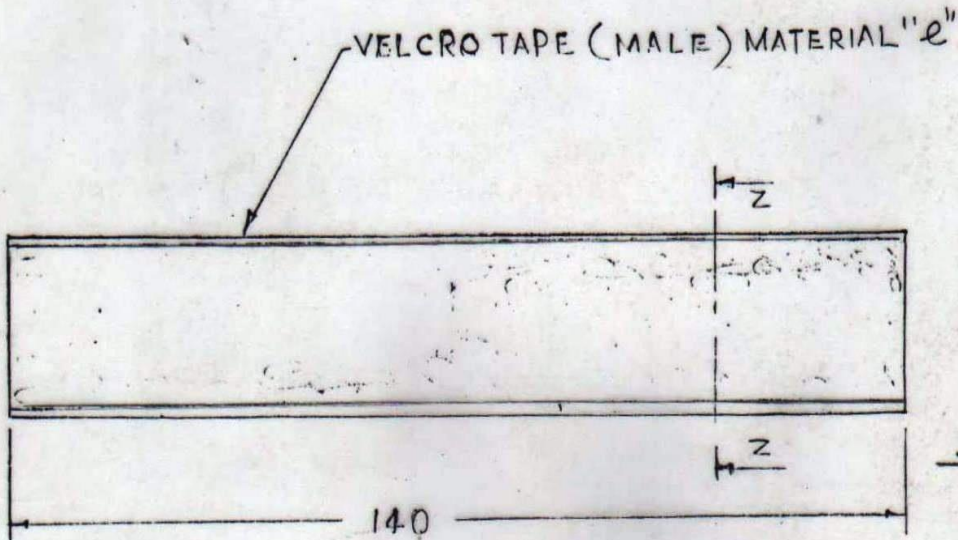


TAPE ELASTIC

4-OFF

R.No.	DATE	ZONE	AUTHORITY	BRIEF RECORD		O/C	P.G.D.
DRN. W.C.LAL			DRD	MATERIAL:-		ADR DE AGRA	
CHD <i>March</i>			<i>Fd</i>	FINISH:-			
TRD			<i>g</i>	HEAT TREATMENT:-			
COMP.			O/C	PROJ. OFFR. <i>CR</i>		APPROVED	
			P.G.D.	DIV. HEAD <i>g</i>			
SCALE:- 1:1	DIMENSIONS IN MM.			HIGH ALTITUDE PARACHUTE			PROG. DIRECTOR (Q.A.)
TOLERANCE:-	ANSI/AIAA-S-017-1997			(MAIN)			DRG. No. <i>(SUB)(c)</i>
							AORCE/1283/A3

12

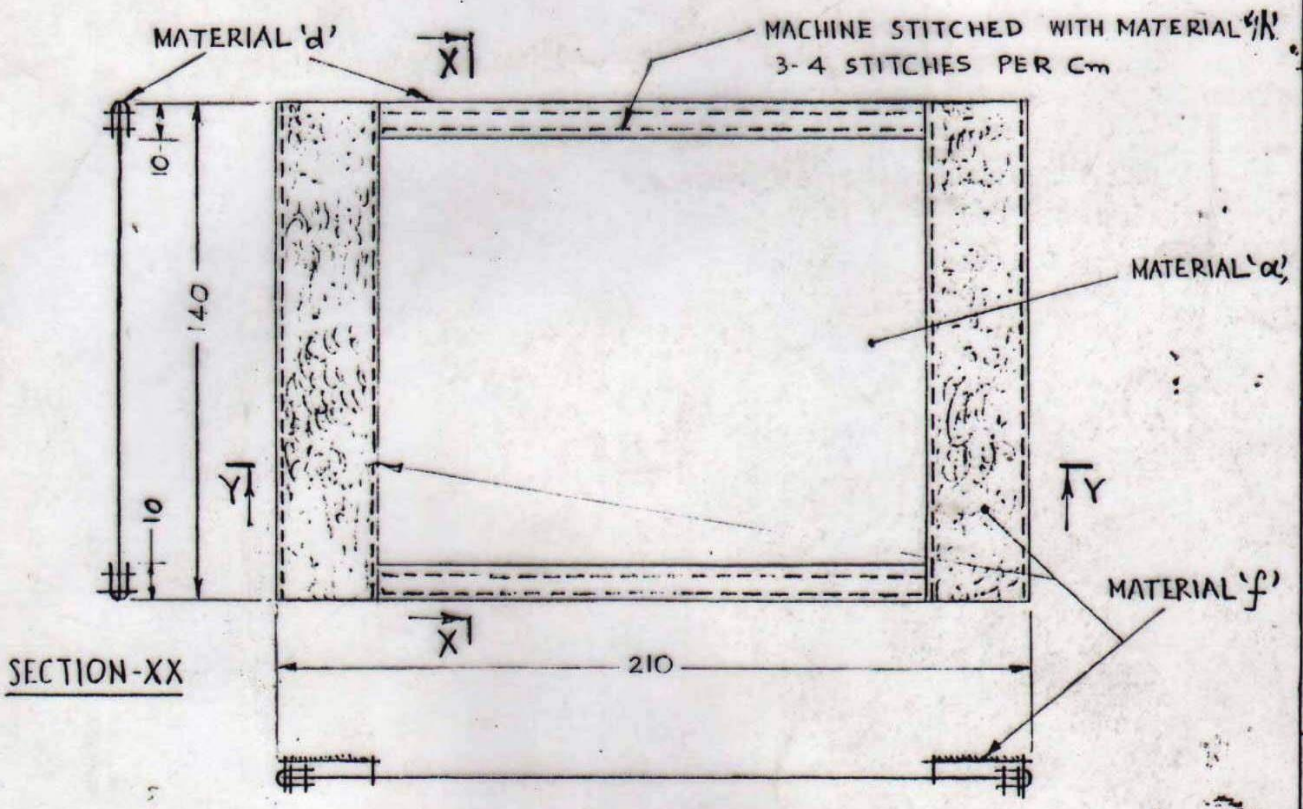


SECTION: ZZ

TAPE FASTENER (HOOK)

4-OFF

R.No		DATE	ZONE	AUTHORITY	BRIEF RECORD		O/C	PGD
DRN.	W.C.LAL	DRD		MATERIAL:-			ADRDE, AGRA	
CHD	<i>Abol</i>	<i>TSL</i>	<i>PGD</i>	FINISH:-				
TRD		O/C	PGD	HEAT TREATMENT:-			APPROVED	
COMP.		PROJ. OFFR. <i>CG</i>		DIV. HEAD <i>DRD</i>				
SCALE: -1:1		HIGH ALTITUDE PARACHUTE (MAIN)						
DIMENSIONS IN MM.		DRG. No. <i>DRD/3/98</i>						
TOLERANCE:- ANSI/AIAA-5-017-1997		AORDE/1283/A3						

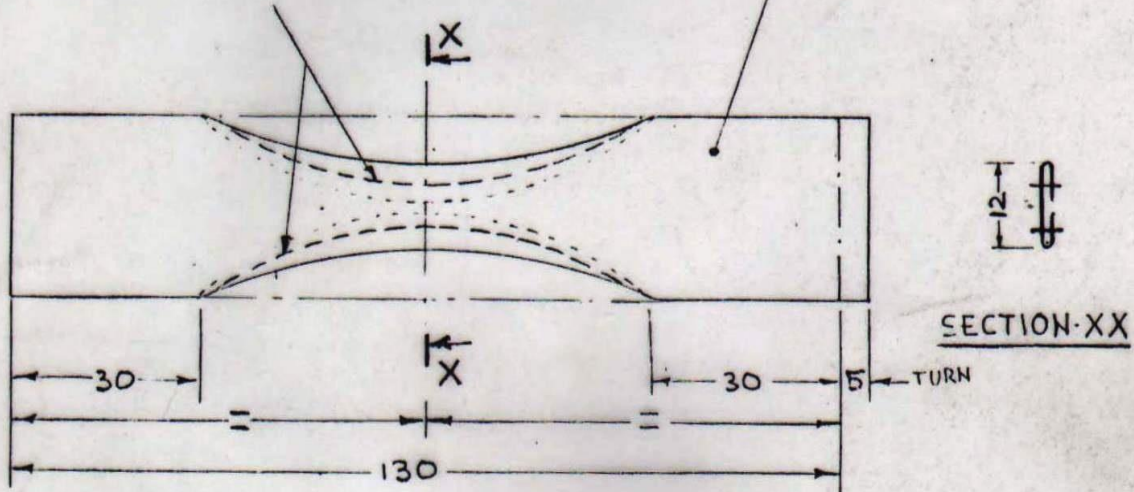


SECTION: YY
COVER FOR STOWAGE LOOP
2-OFF

R.No.	DATE	ZONE	AUTHORITY	BRIEF RECORD		O/C	PGD	
DRN. A. SINGH			DRD	MATERIAL:-		ADRDE; AGRA		
CHD <i>Abdullah</i>			<i>Taha</i>	<i>H</i>	FINISH:-			
TRD			O/C	PGD				
COMP			PROJ. OFFR. <i>cm</i>	HEAT TREATMENT:-		APPROVED		
			DIV. HEAD <i>cm</i>					
DIMENSIONS IN MM.			HIGH ALTITUDE PARACHUTE (MAIN)				PROG. DIRECTOR (Q.A.)	
TOLERANCE:-							ANSI/AIAA-5-017-1997	

MACHINE STITCHED WITH MATERIAL 'H'
3-4 STITCHES PER CM.

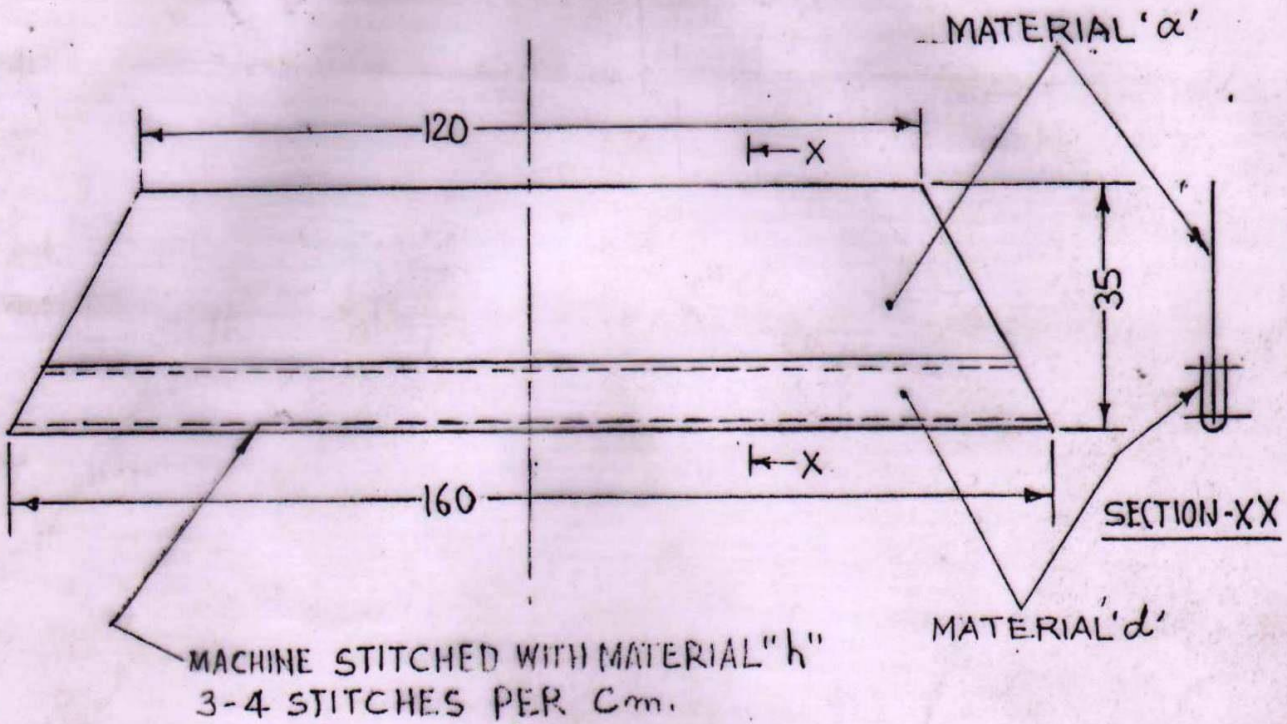
MATERIAL 'C'



DETAILS LOOP, FOR PACK CLOSING

7-OFF

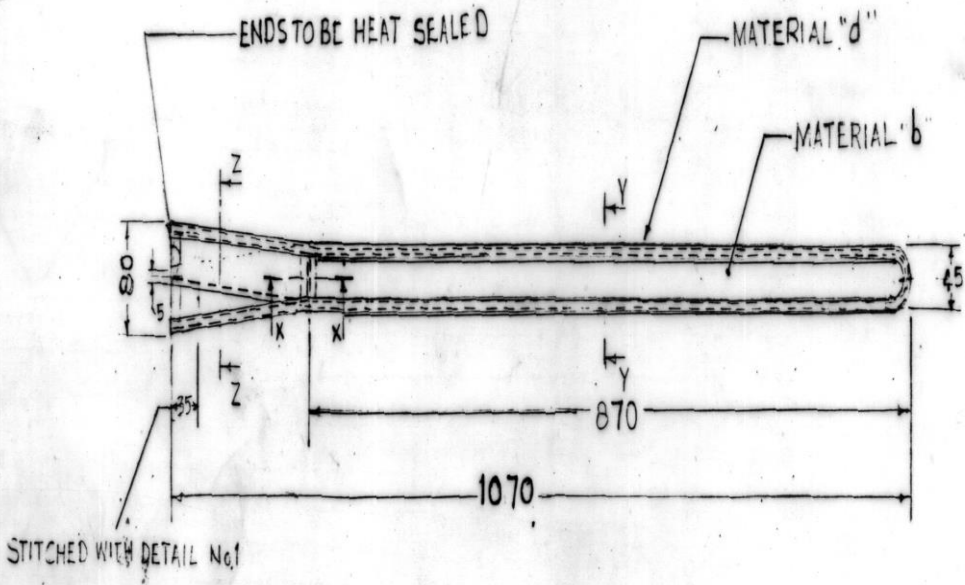
R.No	DATE	ZONE	AUTHORITY	BRIEF RECORD		O/C	PGD
DRN. R-SINGH			DRD	MATERIAL:-		ADRDE; AGRA	
CHD <i>Abhis</i>			<i>Tsh</i>	FINISH:-			
TRD			<i>+</i>	HEAT TREATMENT:-			
COMP.			O/C	PROJ. OFFR. <i>cm</i>		APPROVED	
			PGD	DIV. HEAD <i>dy</i>			
SCALE:- 1:1		DIMENSIONS IN MM.		<p>HIGH ALTITUDE PARACHUTE (MAIN)</p>		DRG. No. <i>(with c)</i> AORDE/1283/A3	
TOLERANCE:-		ANSI/AIAA-5-017-1997				DRD/3/98	



POCKET

1-OFF

R.No	DATE	ZONE	AUTHORIT.	BRIEF RECORD		O/C	PGD
DRN. M. HAQUE			DRD	MATERIAL:-		ADRDE ; AGRA	
CHD <i>Abd</i>			<i>o/c</i>	<i>pgd</i>	FINISH:-		
TRD					HEAT TREATMENT:-		
COMP.			PROJ. OFFR. <i>ow</i>	DIV. HEAD <i>ow</i>		APPROVED	
SCALE 1:-1	DIMENSION IN MM			TOLERANCE:- ANSI/AIAA-5-017-1991			
HIGH ALTITUDE PARACHUTE				(MAIN)			
ORG. No. <i>1283/A3</i>						DRD/3/98	



WAIST BELT

1-OFF



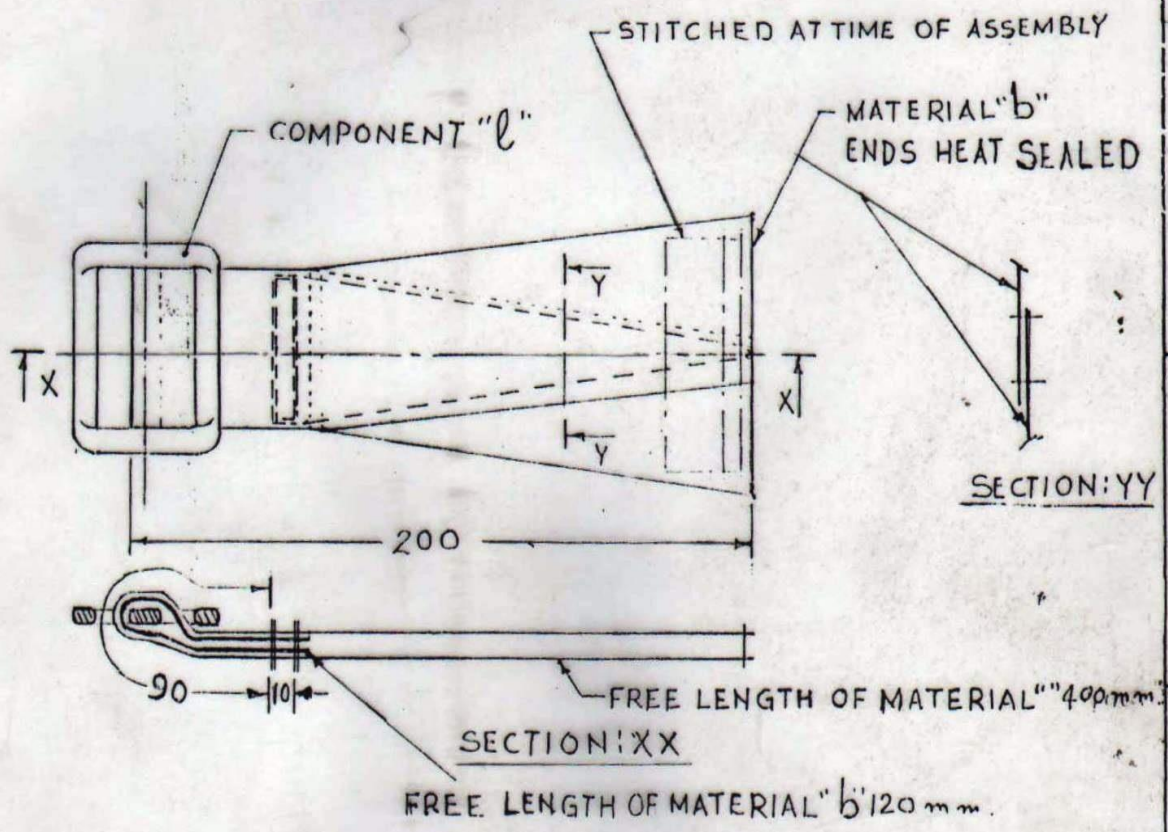
SECTION:XX
SCALE-1:2

MATERIAL "d"

NOTE:-

ALL MACHINE STITCHED WITH MATERIAL "X"
3-4 STITCHES PER CM

DRN. M. MARQUE	ORD	MATERIAL:-	ADRDE, AGRA
CHD. <i>Mach</i>	<i>Tali</i>	FINISH:-	
TRD	<i>PGD</i>		
COMRI	<i>OVC</i>	HEAT TREATMENT:-	APPROVED
SCALE:- 1:5, 1:2	PROJ. OFFR. <i>Cor</i>	HIGH ALTITUDE PARACHUTE (MAIN)	<i>S. K. D.</i> PROG. DIRECTOR (R.A.)
DIMENSIONS IN MM	DIV. HEAD <i>...</i>		
TOLERANCE:- ANSI/AIAA-S-017 1991			
R.No. DATE ZONE AUTHORITY	BRIEF RECORD	O/C PGD	DRG. No. <i>11/1(C)</i> ADRDE/1283/A3 DRD/3/98



WAIST BELT WITH BUCKLE
1-OFF

R.No	DATE	ZONE	AUTHORITY	BRIEF RECORD		o/c	PGD
DRN. M. HAQUE			DRD	MATERIAL:-		ADRDE, AGRA	
CHD. <i>Abdel</i>			<i>Teh</i>	FINISH:-			
TRD			<i>+</i>	HEAT TREATMENT:-			
COMP.			o/c	PROJ. OFFR. <i>cm</i>		APPROVED	
			PGD	DIV. HEAD <i>cm</i>			
SCALE:- 1:2			DIMENSIONS IN MM.			PROG. DIRECTOR (Q.A.) DRG. No. <i>1283/A3</i>	
TOLERANCE:-			ANSI/AIAA-S-017-1997			(c) AORDE/1283/A3 DRD/3/98	
HIGH ALTITUDE PARACHUTE				(MAIN)			