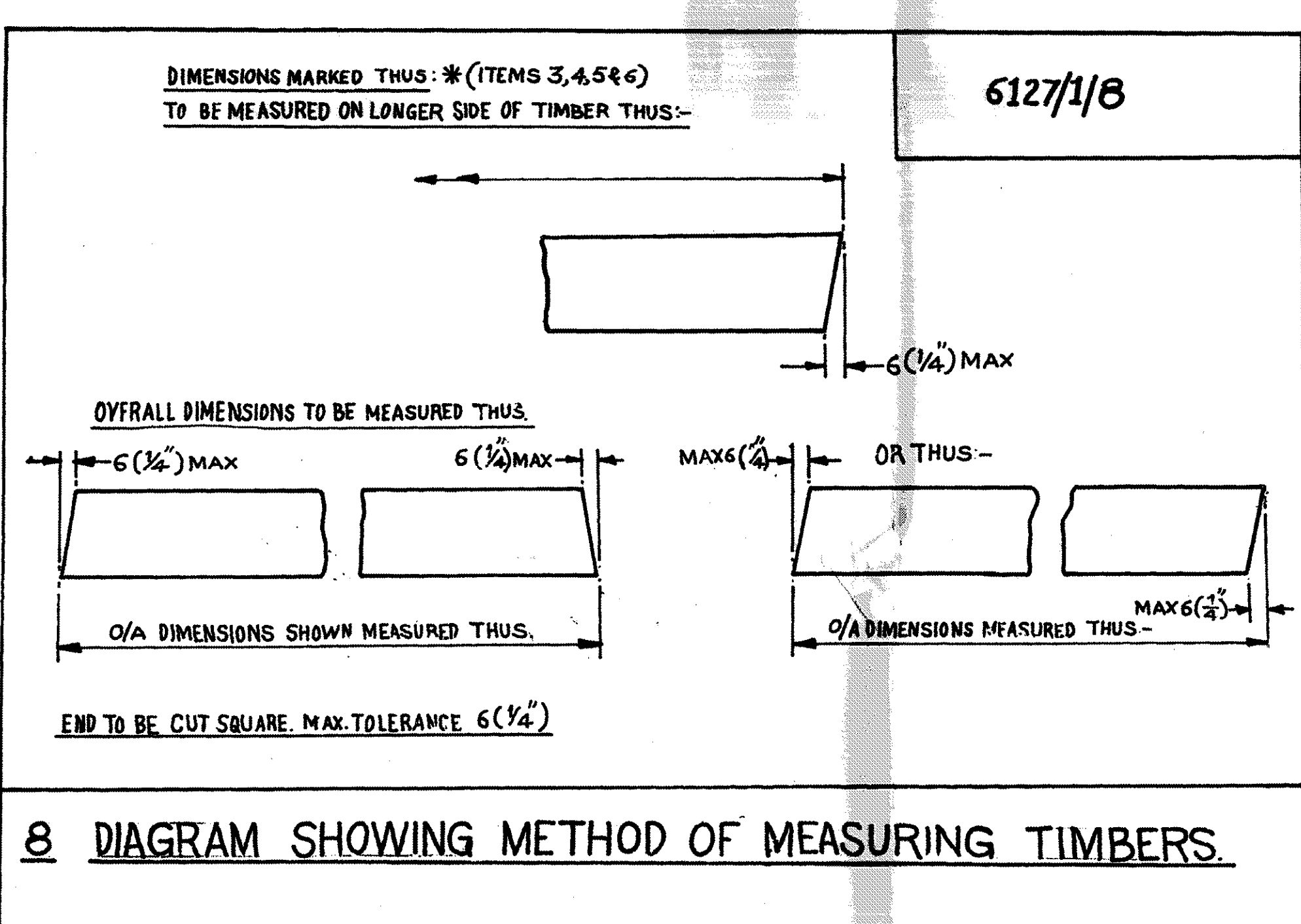
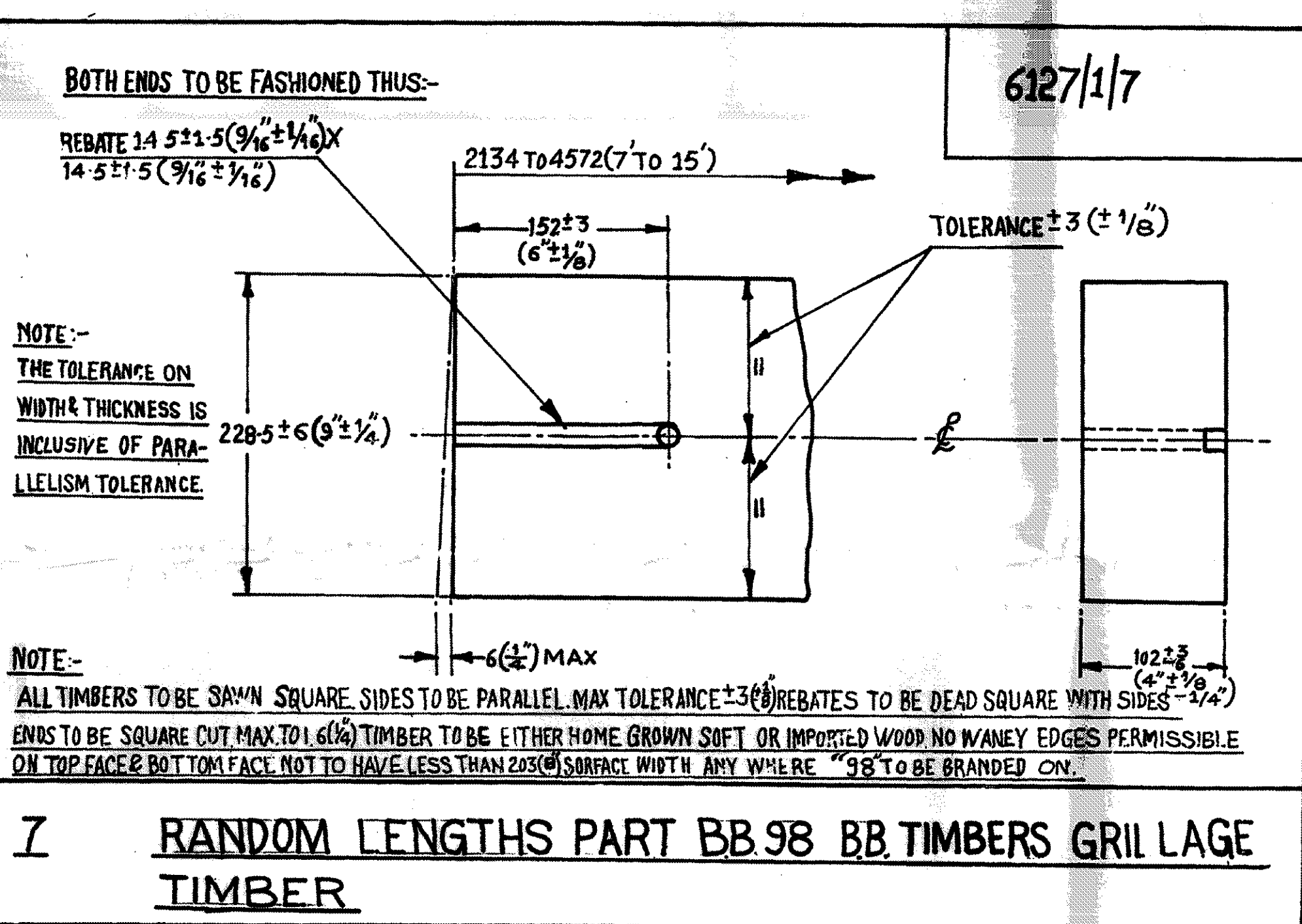
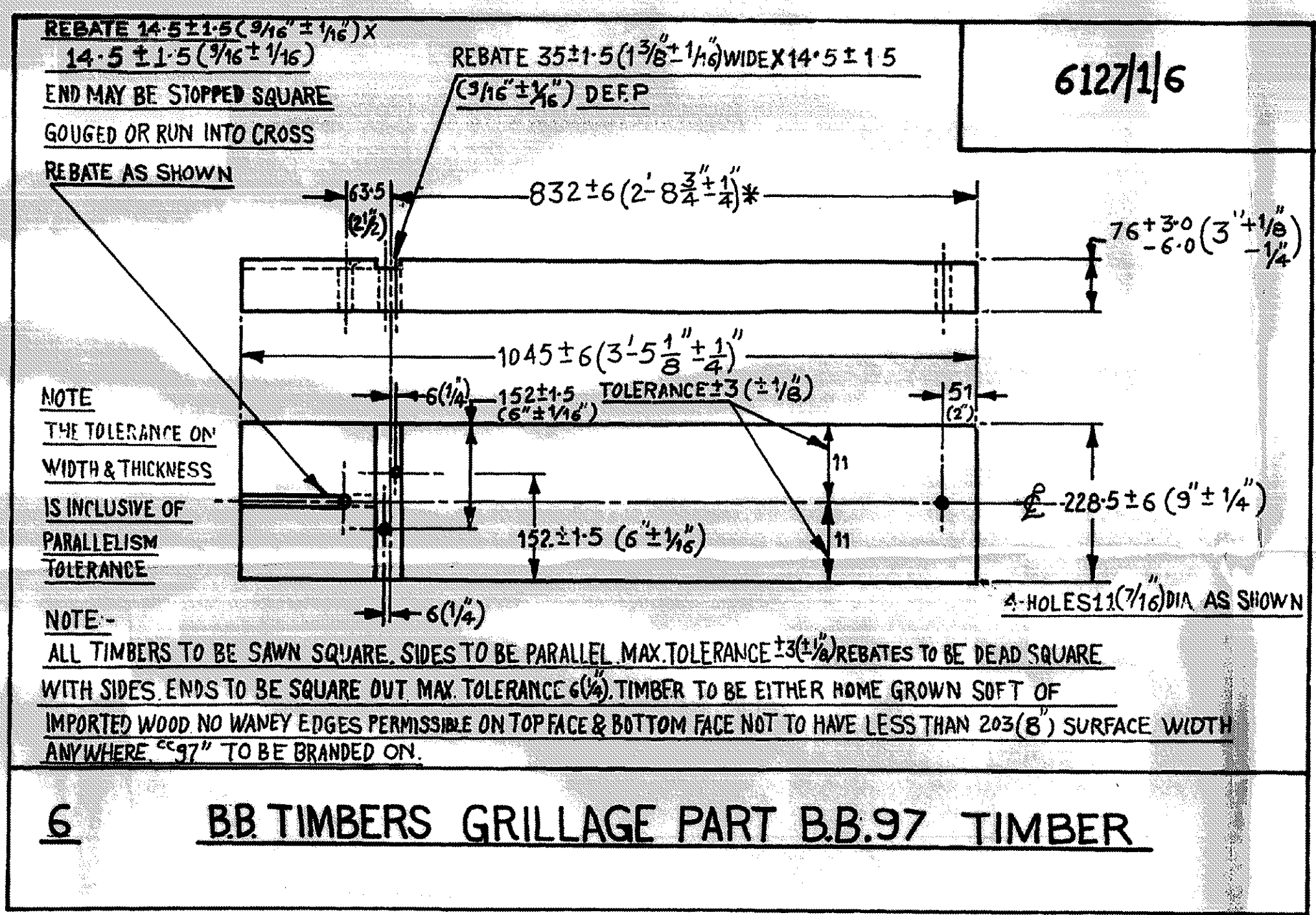
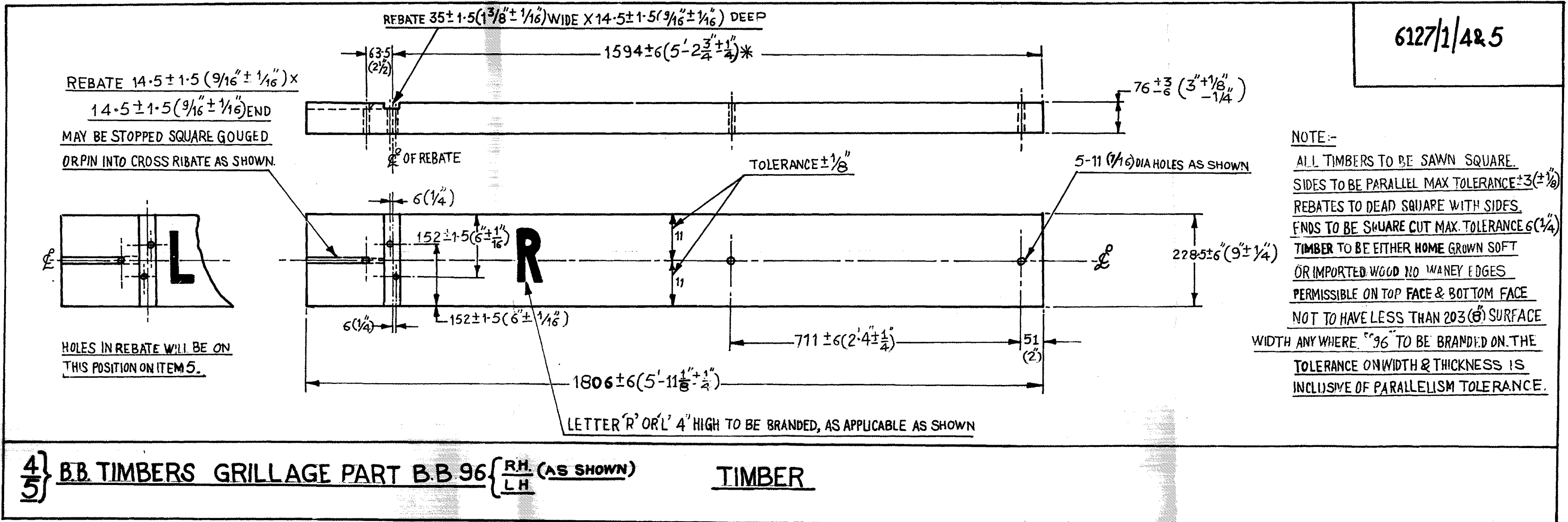
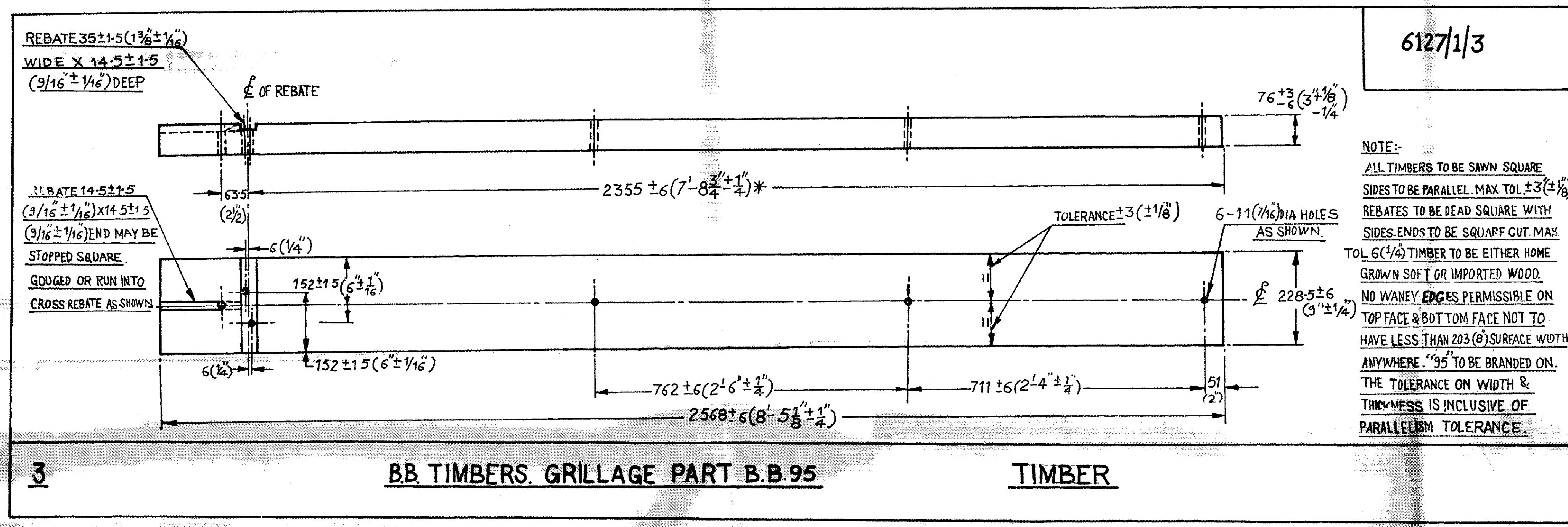


NOTE:-
 ALL TIMBERS TO BE SAWN SQUARE SIDES TO BE PARALLEL. MAX. TOLERANCE $\pm 3 (\pm \frac{3}{8})$ REBATES TO BE DEAD SQUARE WITH SIDES. ENDS TO BE SQUARE CUT. MAX. TOLERANCE $6 (\frac{1}{4})$ TIMBER TO BE EITHER HOME GROWN SOFT OR IMPORTED WOOD. NO WANEY EDGES PERMISSIBLE ON TOP FACE & BOTTOM FACE NOT TO HAVE LESS THAN 203 (8) SURFACE WIDTH ANYWHERE "94" TO BE BRANDED ON THE TOLERANCE ON WIDTH & THICKNESS IS INCLUSIVE OF PARALLELISM TOLERANCE.



PART	ITEM No.	SHEET No.	DESCRIPTION	NO OFF	MATERIAL	FINISH	USED ON	REMARKS
-	1	1	KEY PLAN OF GRILLAGE	-	-	-	-	-
B.B.94	2	1	TIMBER GRILLAGE, 228-5X76X3619(8'3"X4'-10 1/2")	1			1	
B.B.95	3	1	TIMBER GRILLAGE, 228-5X76X2568(8'3"X8'-5 1/8")	2	SPECIFICATION	FINE SAWN	1	
B.B.96R	4	1	TIMBER GRILLAGE, 228-5X76X1806-5(8'3"X5'-11 1/8")	1	No.	CROSOSITED	1	RIGHT HAND
B.B.96L	5	1	TIMBER GRILLAGE, 228-5X76X1806-5(8'3"X5'-11 1/8")	1	IND/ENG/1002		1	LEFT HAND
B.B.97	6	1	TIMBER GRILLAGE, 228-5X76X1045(8'3"X3'-5 1/8")	2			1	
B.B.98	7	1	TIMBER GRILLAGE, 228-5X102(9'4"X)RANDOM LENGTHS AS READ	-			-	
	8	1	DIAGRAM SHOWING METHOD OF MEASURING TIMBERS	-			-	

NOTE:-
 1) ALL DIMENSIONS ARE IN mm. INCH EQUIVALENTS ARE IN BRACKETS.
 2) FOR OTHER DETAILS SEE SPECN. No. IND/ENG/PROV/0102, B

BAILEY BRIDGE
 TIMBERS, GRILLAGE

DRAWN BY [MAC] TRACED BY [IDS] CHECKED BY [SA]
 24/4/44 BRIG
 CHIEF INSPECTOR ELECTRICAL & MECHANICAL EQPT
 RETRACED BY: [Signature] COMP BY: [Signature] CHD BY: [Signature]