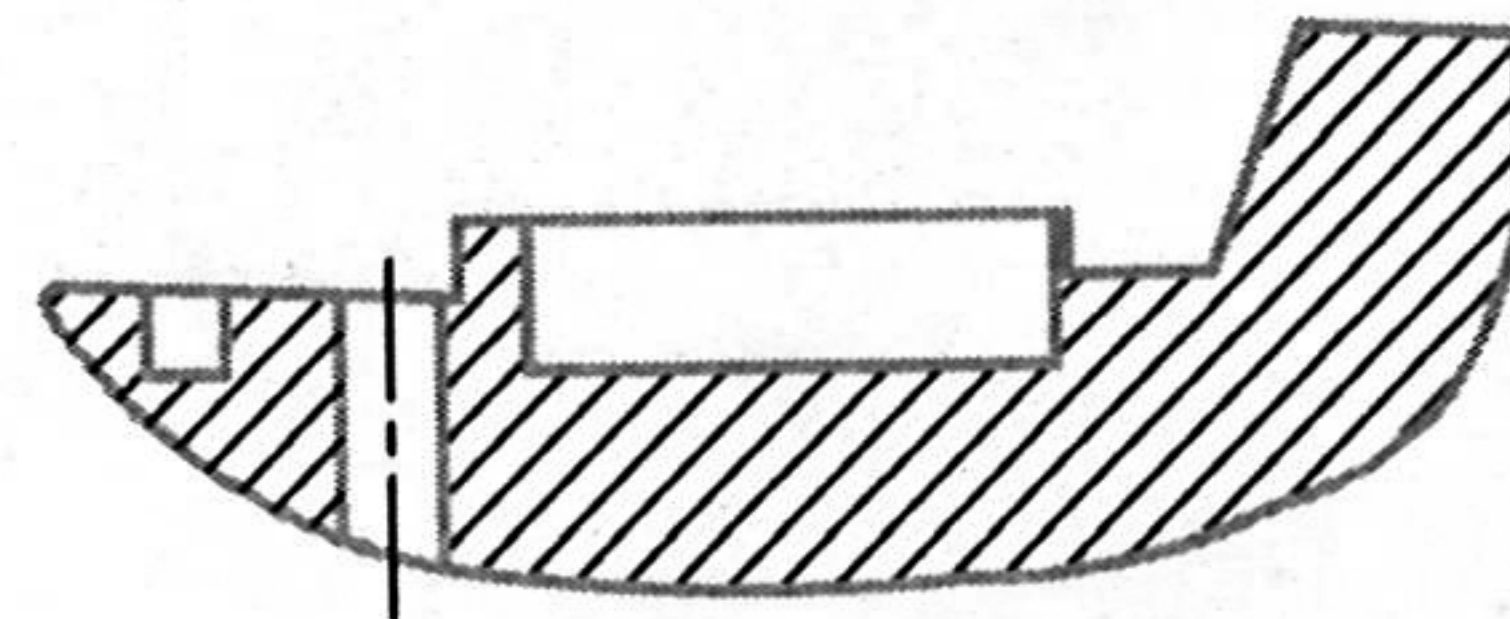
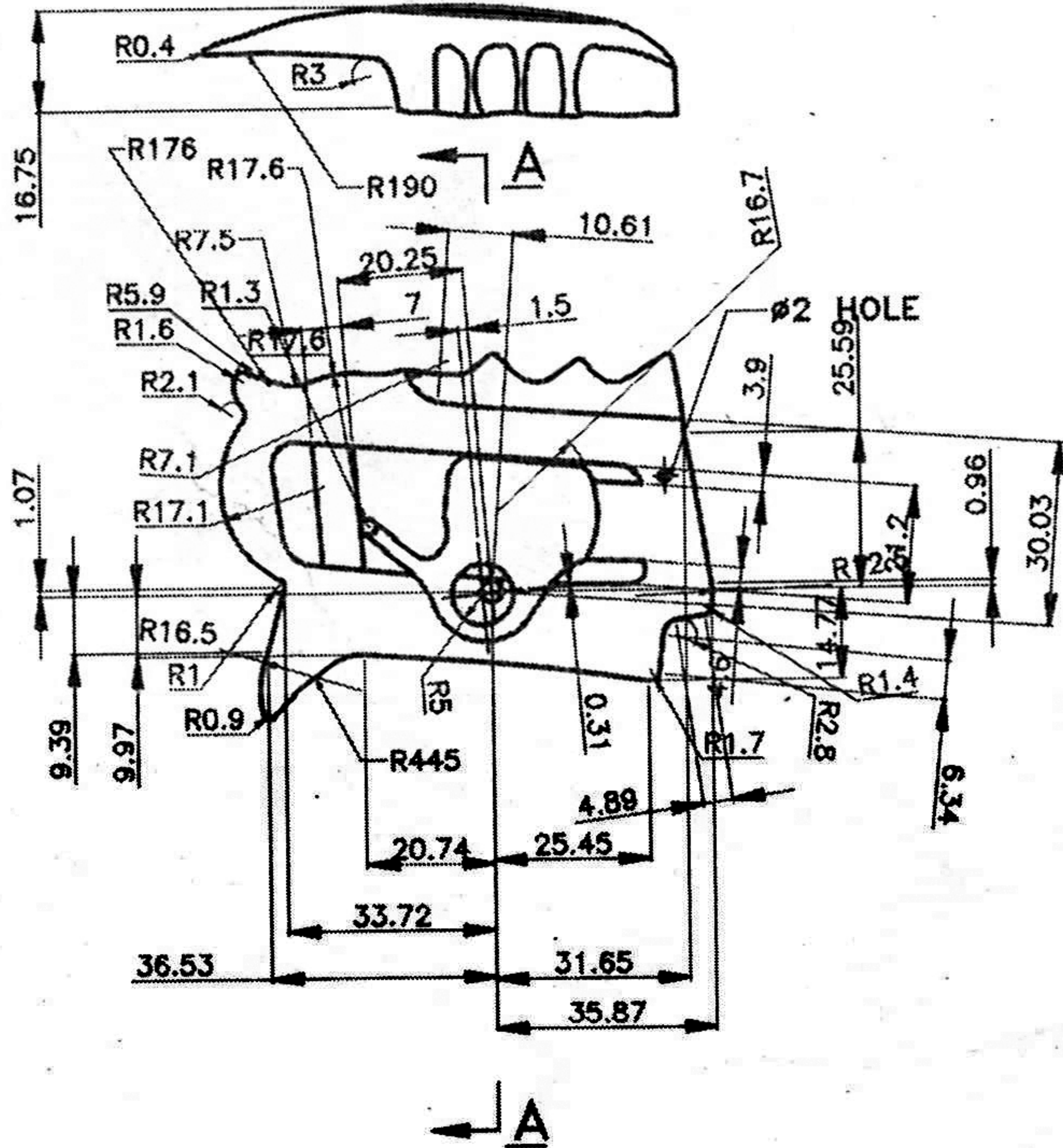
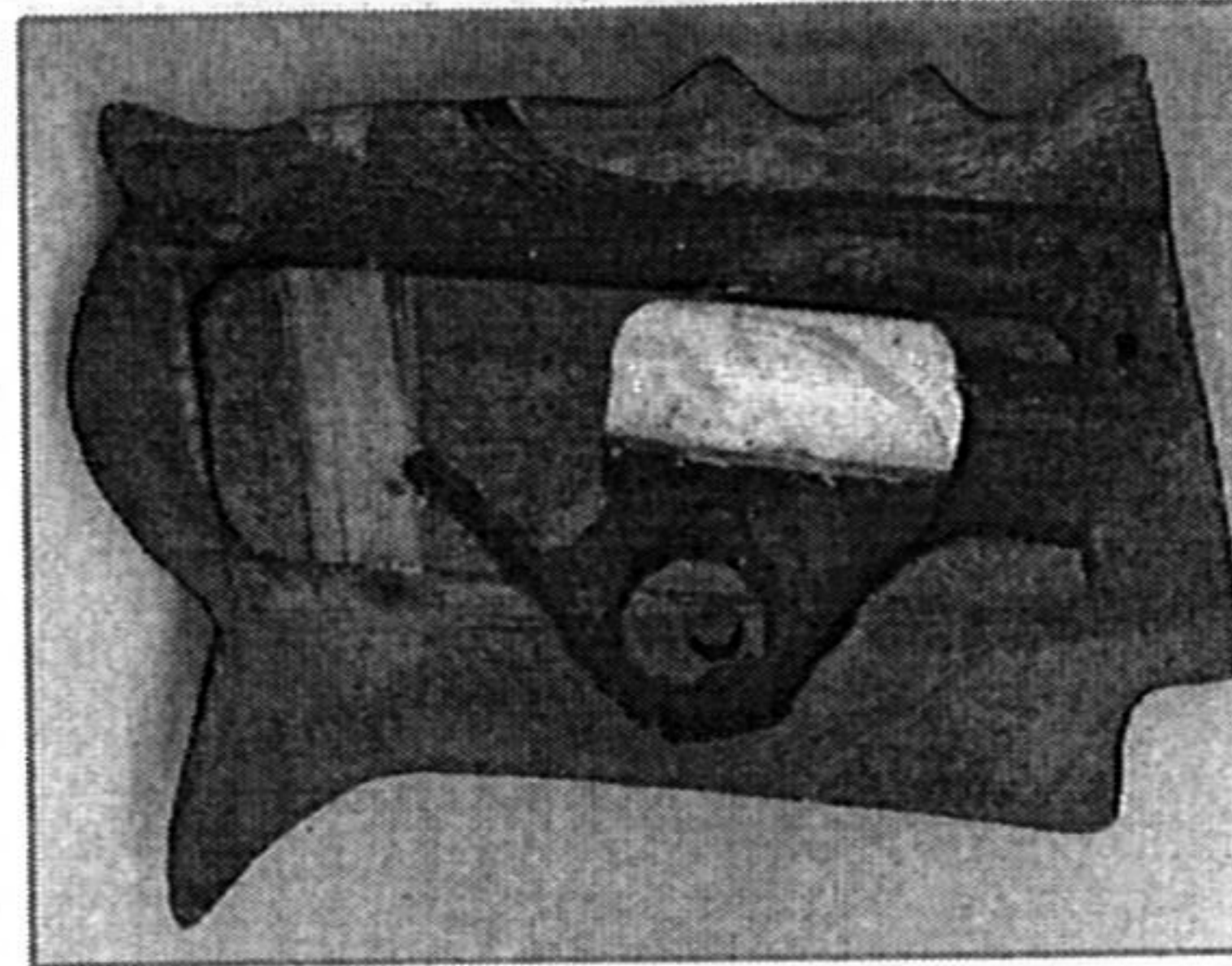
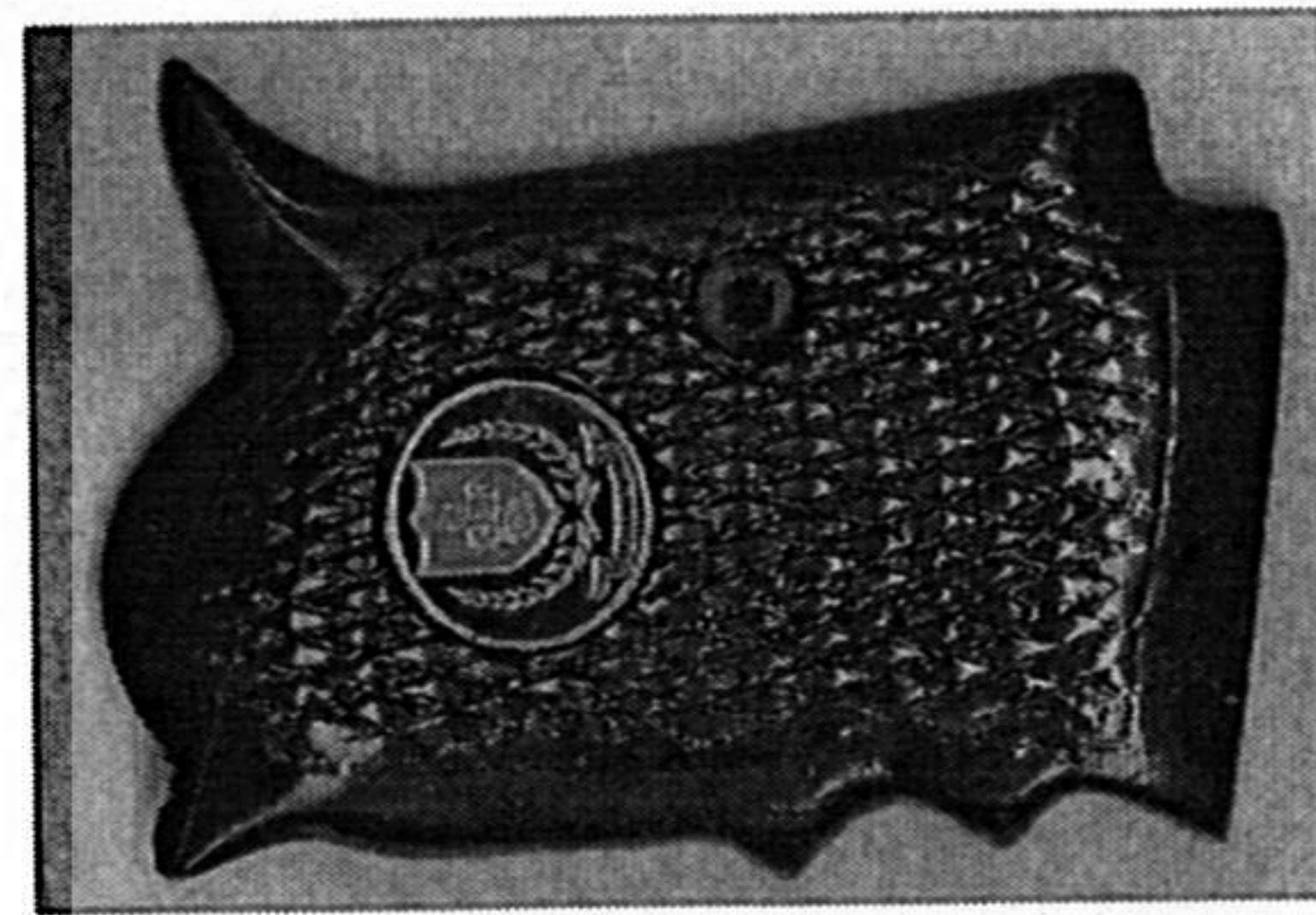
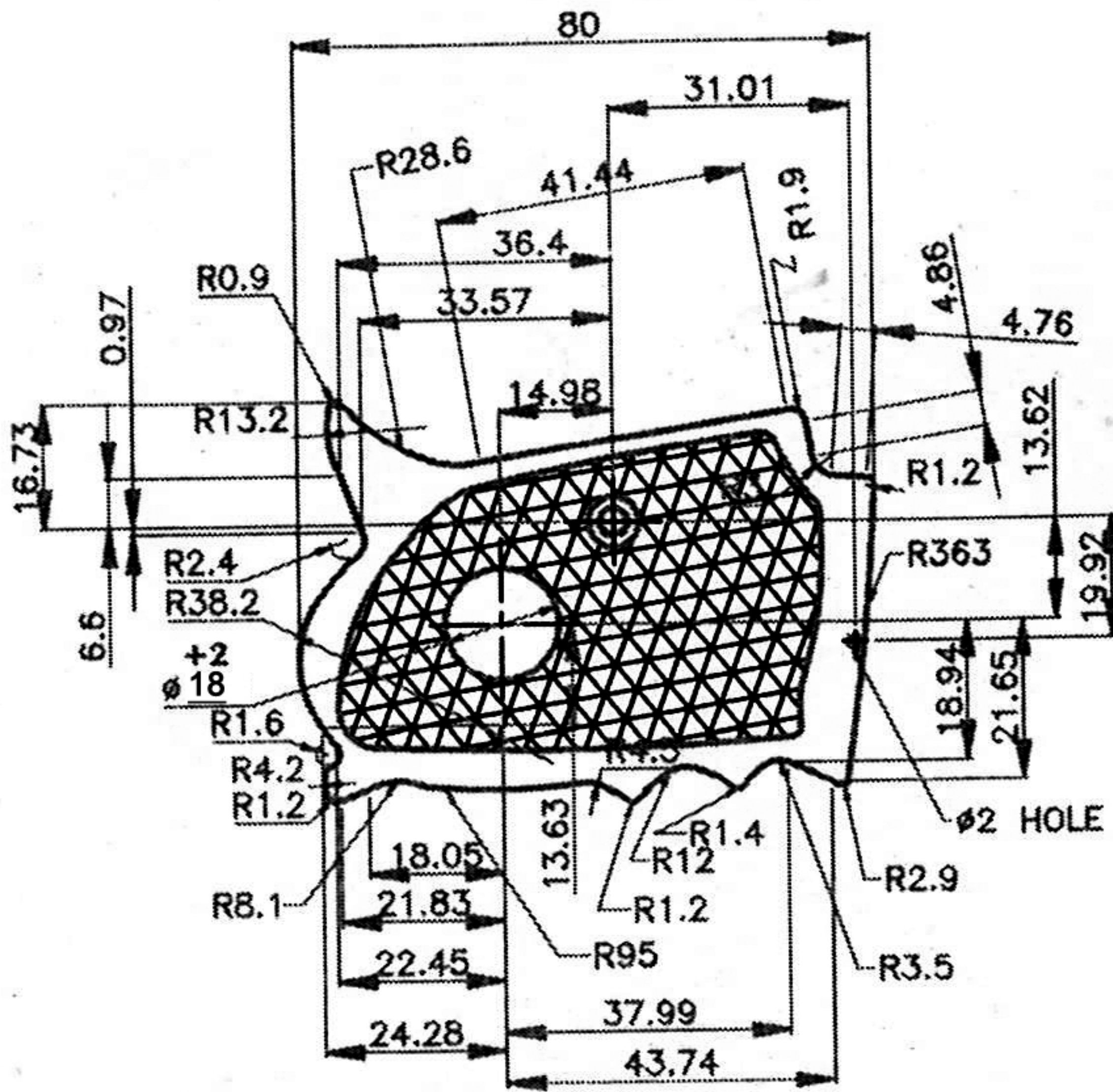


DRG. NO. :- CTM-0117

PROVISIONAL



SECTION A-A

NOTE:-
COMPONENT TO BE MANUFACTURED
AS PER APPROVED SAMPLE
HELD AT GSF COSSIPORE

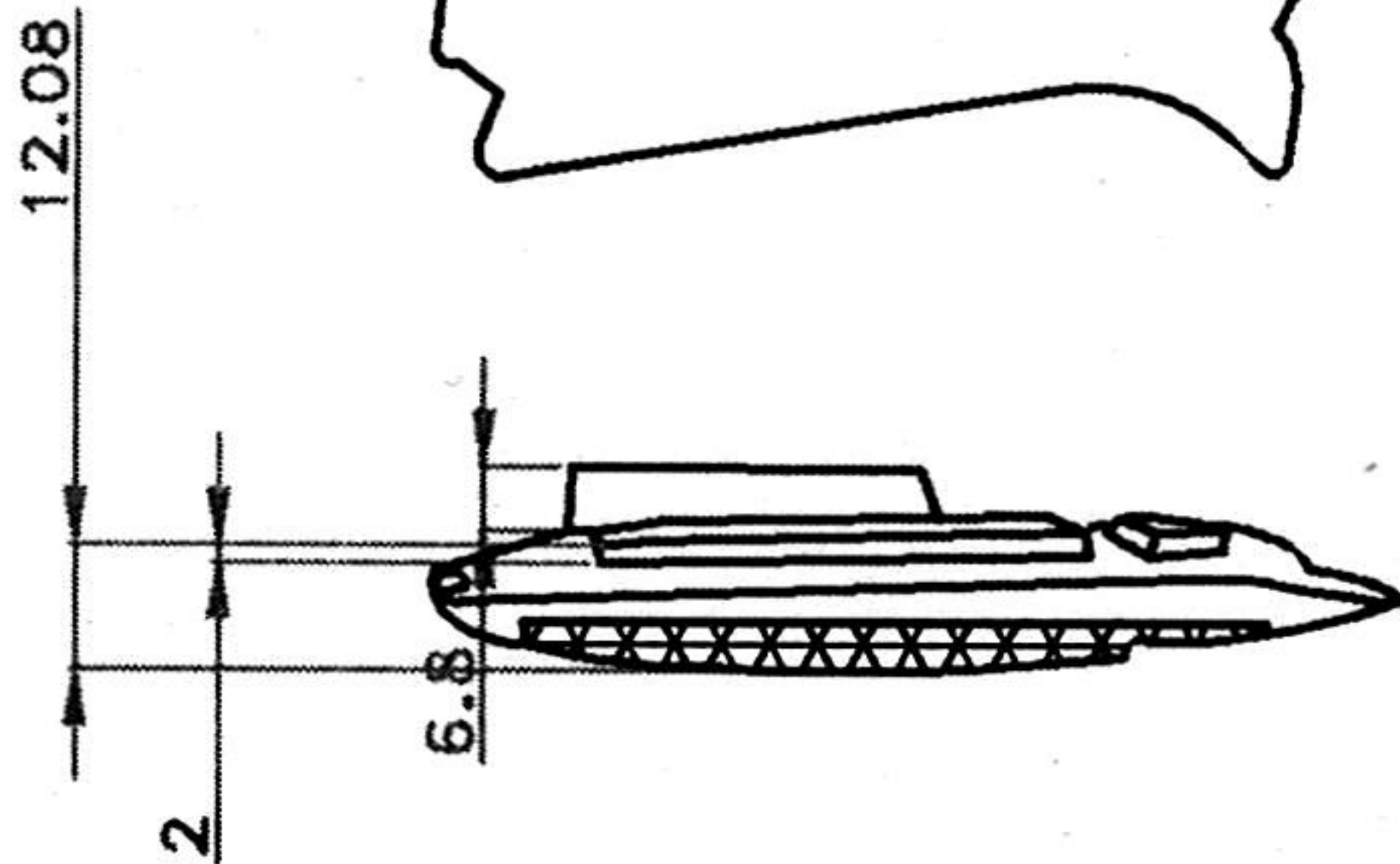
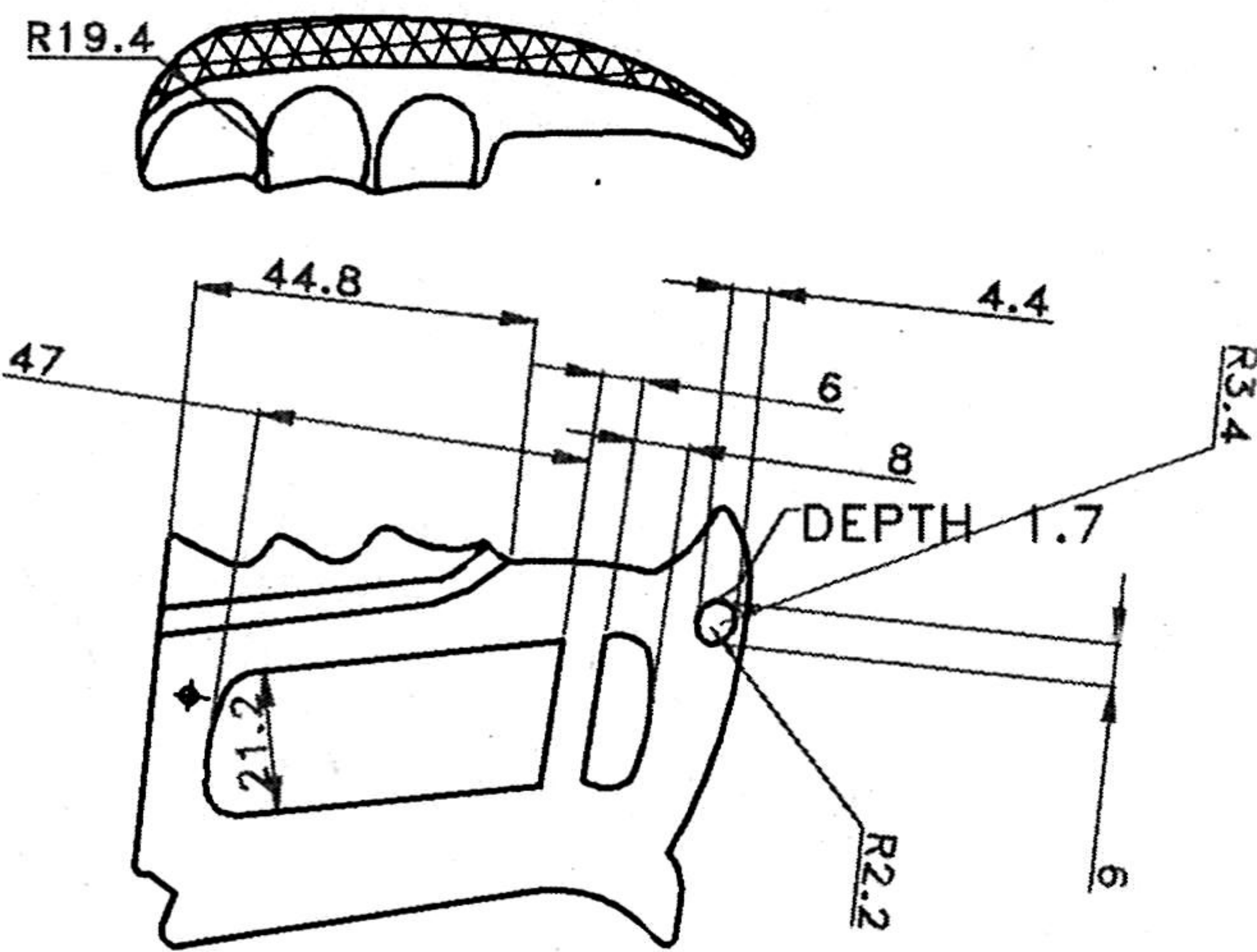
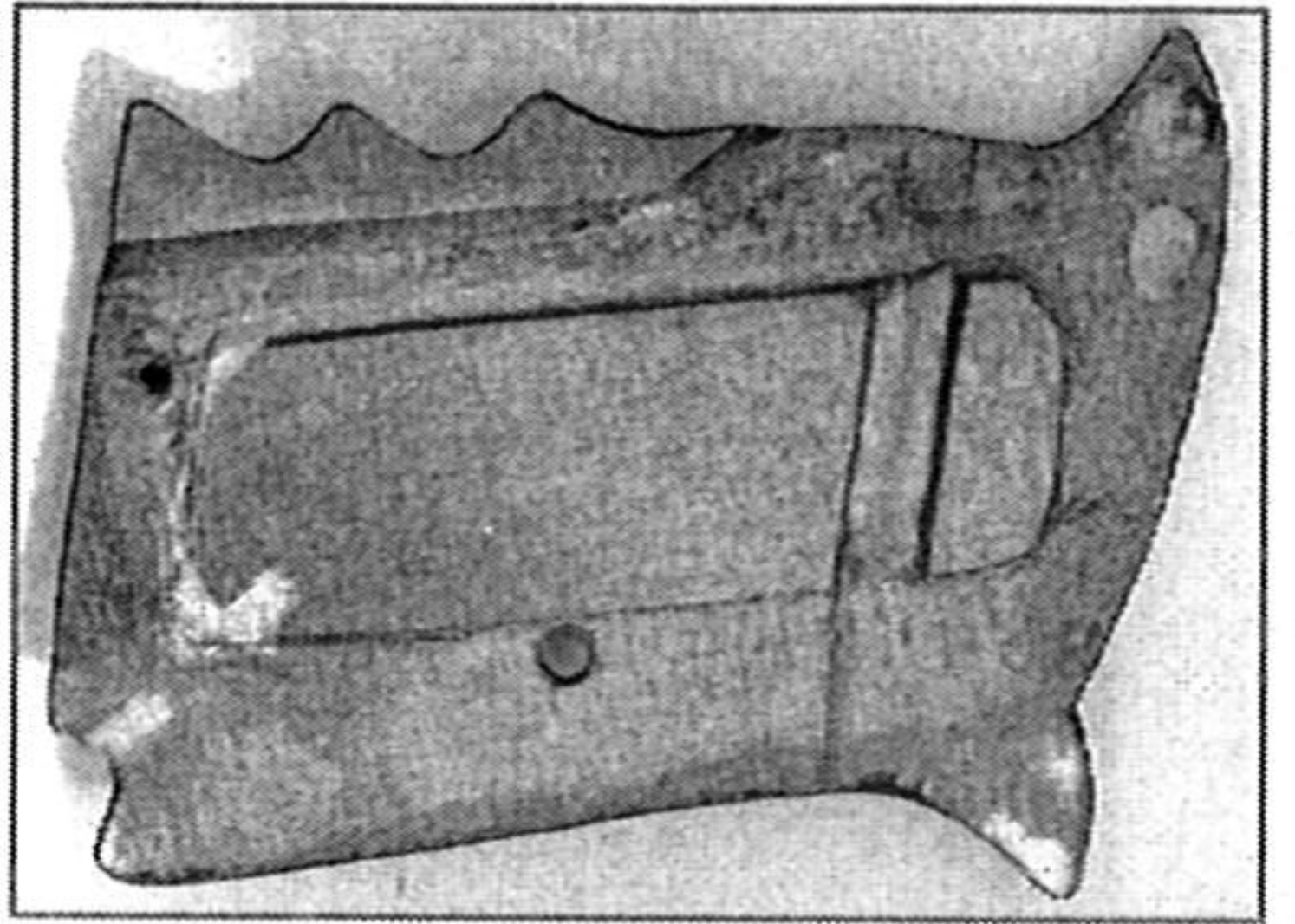
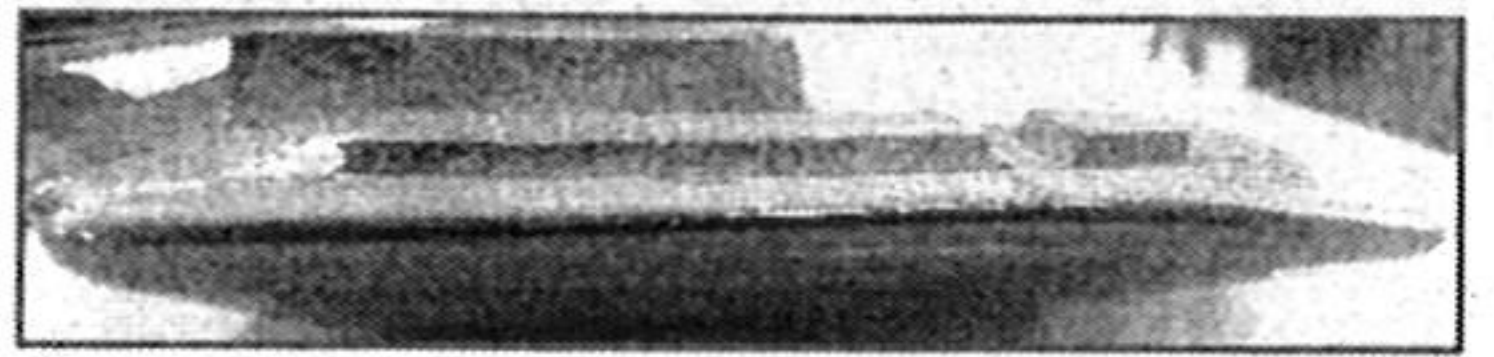
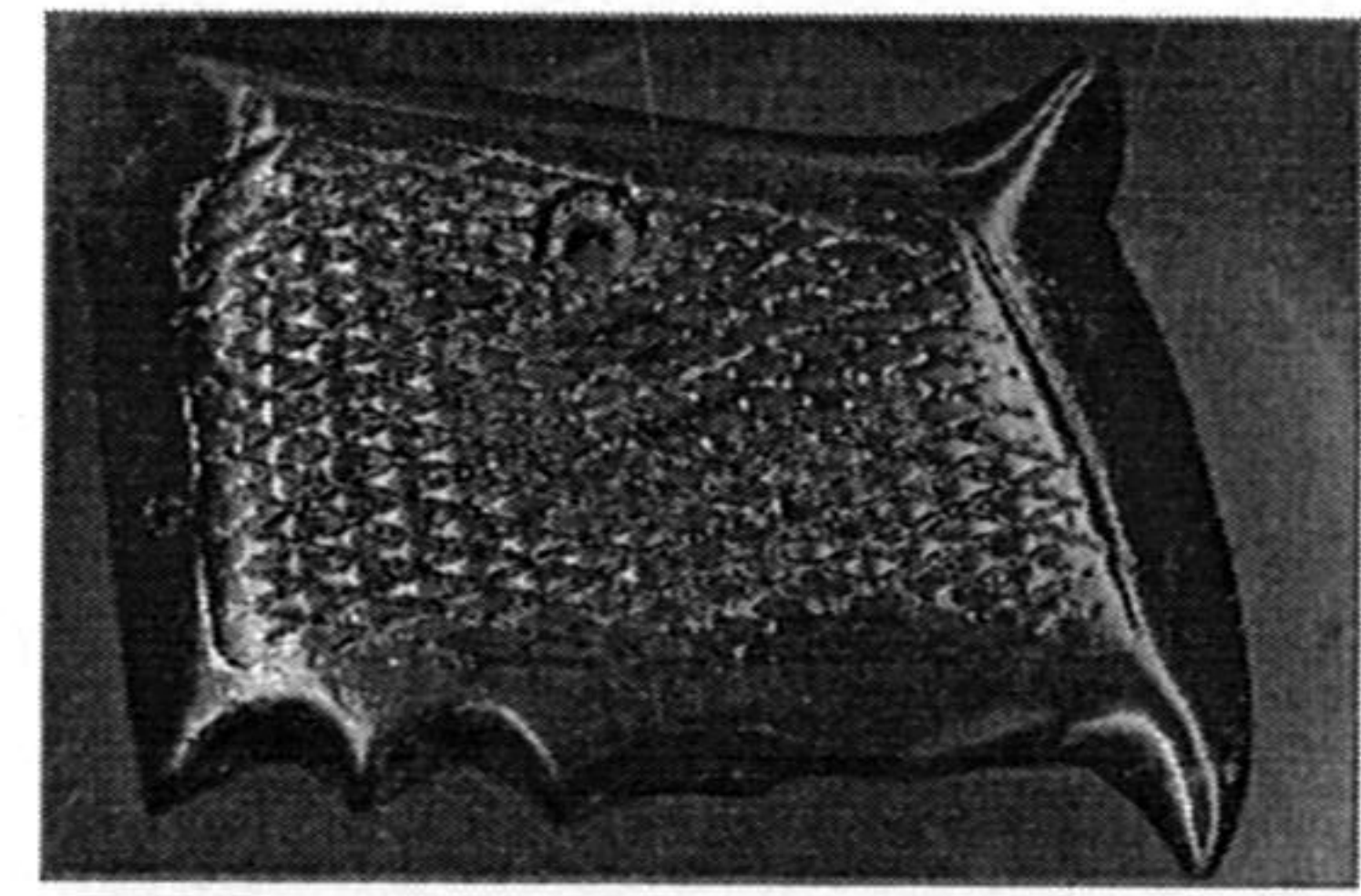
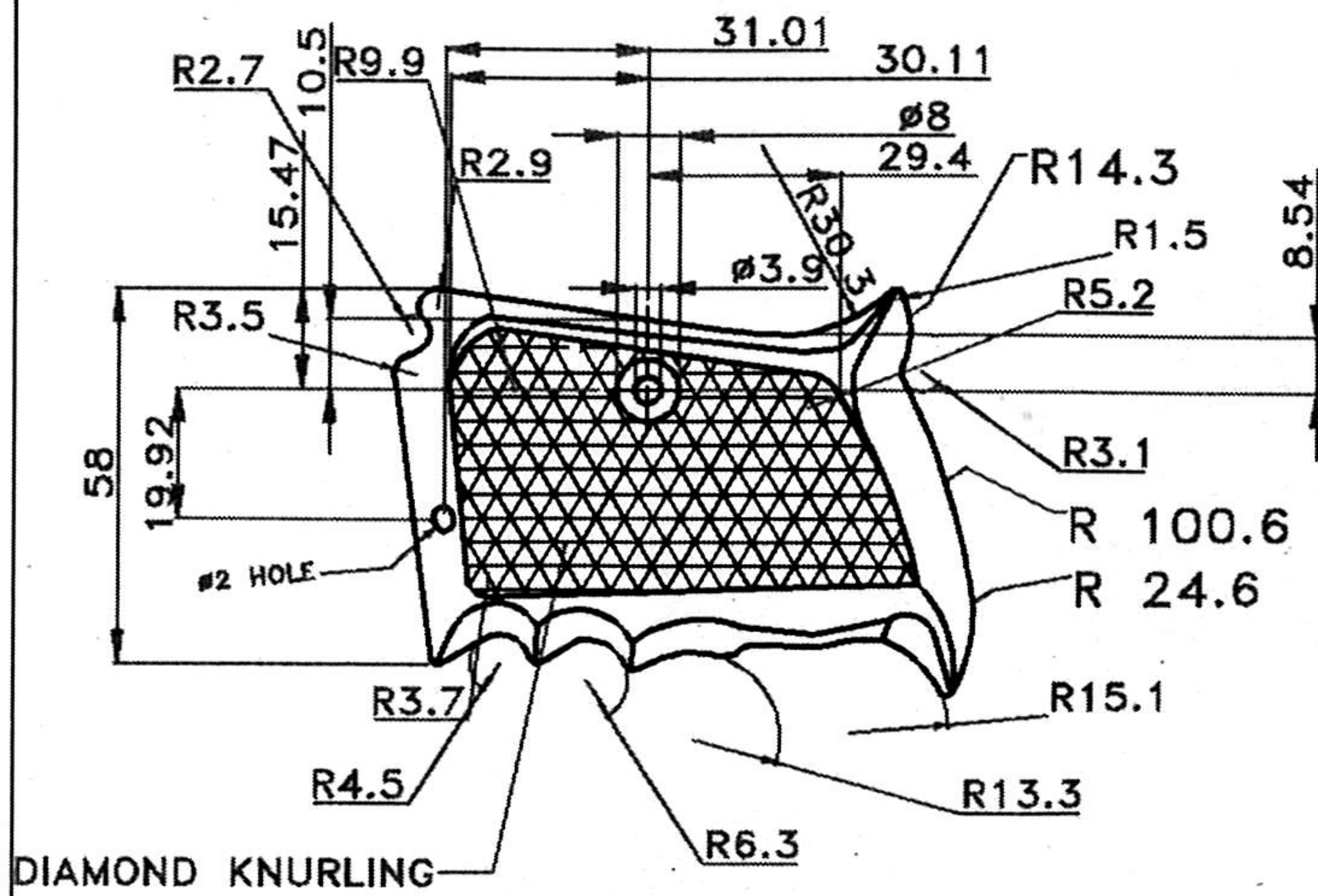
MATL:- MAHOGANY WOOD (COLOUR AS PER
GIVEN SAMPLE)

APPROVED BY :- DGM ORD/PLNG

		SCHEDULE NO :	COMPT- 0.32" PISTOL (MODIFIED)	STORE DRG. No. CTM-0119	
		SCALE=	PROJECTION : THIRD ANGLE		
		DRAWN BY : S.B.	STOCK LEFT FOR MODIFIED PISTOL (0.32")		
		TRACED BY :			
		CHECKED BY :	DRG. NO. :- CTM-0117		
DT. & SG.	DESCRIP	CONCURRED BY: JWM/Gun C	M / C :	NO. OF SHTS. : 1	
AMENDMENTS	DATE: 10/04/17	SIGN.: <i>[Signature]</i>	G. & S. FY. COSSIPORE	SHT. NO. : 1.	

DRG. NO. :- CTM-0118

PROVISIONAL



NOTE:-

COMPONENT TO BE MANUFACTURED
AS PER APPROVED SAMPLE
HELD AT GSF COSSIPORE

MATL:- MAHOGANY WOOD (COLOUR AS PER
GIVEN SAMPLE)

[Signature]
4/5/17

APPROVED BY :- DGM ORD/PLNG

		SCHEDULE NO :		COMPT- 0.32" PISTOL (MODIFIED)	STORE DRG. No. CTM-0119	
		SCALE=	PROJECTION : THIRD ANGLE			
		DRAWN BY : <i>S.B.</i>		STOCK RIGHT		
		TRACED BY :		FOR MODIFIED PISTOL (0.32")		
		CHECKED BY :		DRG. NO. :- CTM-0118		
APPROVED BY : <i>[Signature]</i>						
DT. & SG.	DESCRIP	CONCURRED BY: JWM/Gun C		M / C :	NO. OF SHTS. : 1	
AMENDMENTS	DATE: 10/04/17	SIGN.: <i>[Signature]</i>	G. & S. FY. COSSIPORE		SHT. NO. : 1.	