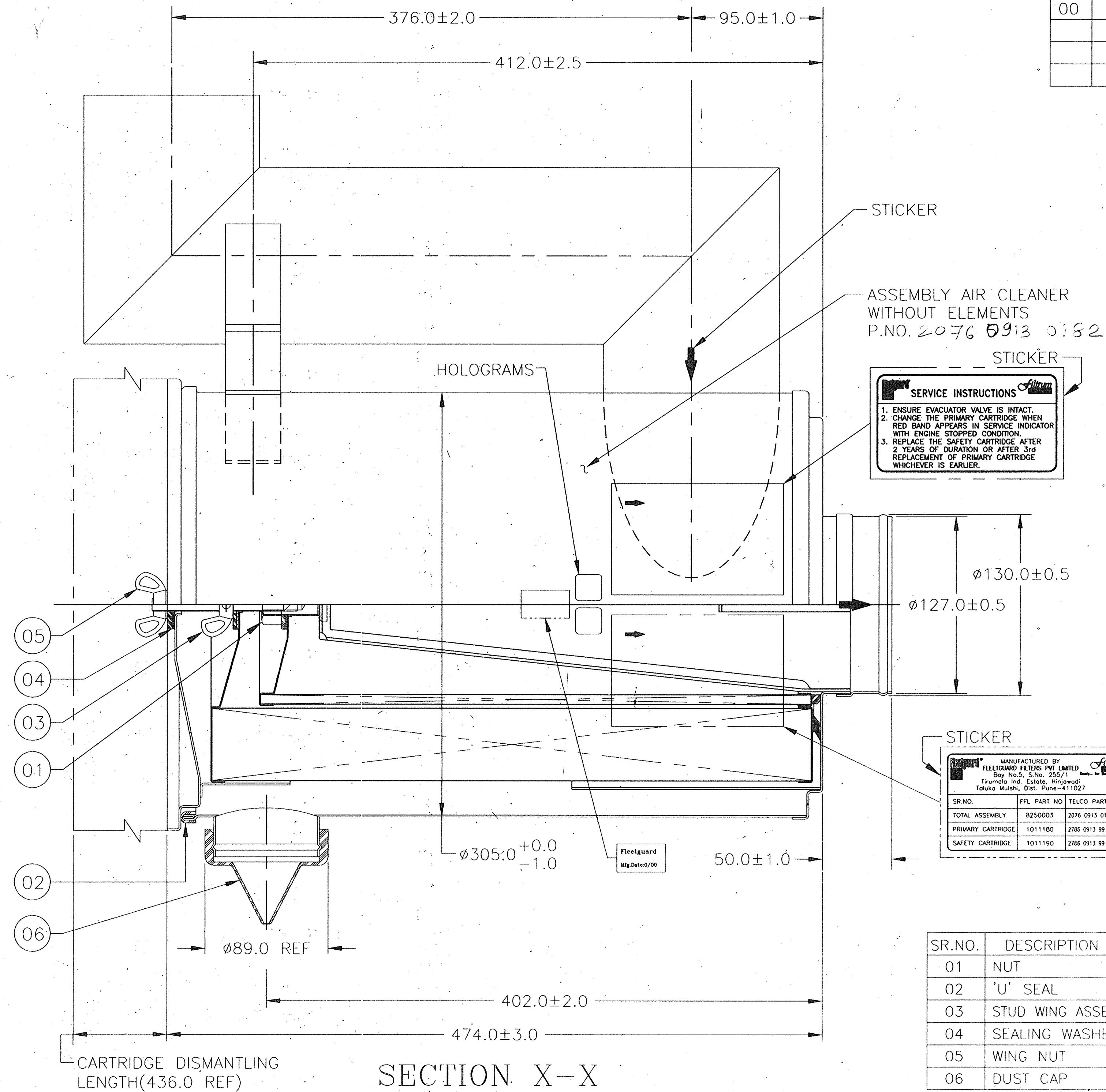
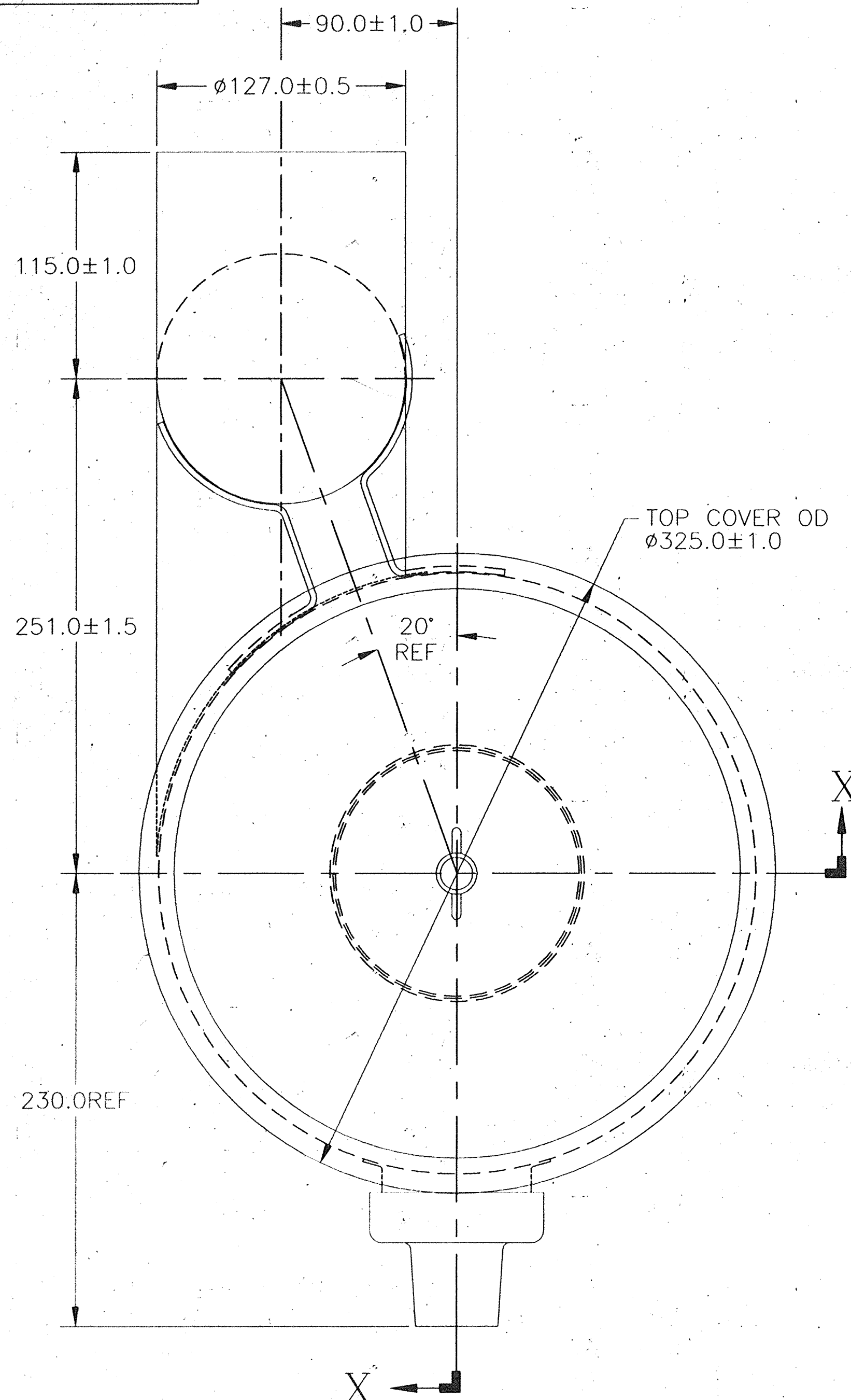


DRAWING NUMBER
8250003

REVISIONS					
REV.	ER.NO.	DESCRIPTION	REV. BY	DATE	APPD
00		RELEASED FOR DEVELOPMENT	V.K.S	4.6.2002	T.H.D



SERVICE INSTRUCTIONS

1. ENSURE EVACUATOR VALVE IS INTACT.
2. CHANGE THE PRIMARY CARTRIDGE WHEN RED BAND APPEARS IN SERVICE INDICATOR WITH ENGINE STOPPED CONDITION.
3. REPLACE THE SAFETY CARTRIDGE AFTER 2 YEARS OF DURATION OR AFTER 3rd REPLACEMENT OF PRIMARY CARTRIDGE WHICHEVER IS EARLIER.

STICKER

MANUFACTURED BY FLEETGUARD FILTERS PVT. LIMITED			
Boj No. 2, No. 252/1, Tirumala Ind Estate, Mingampudi, Tolukuru Main Rd., Pune-411027			
SR.NO.	FFL PART NO	TELCO PART NO	
TOTAL ASSEMBLY	8250003	2076 0913 01 79	
PRIMARY CARTRIDGE	1011180	2786 0913 99 08 N	
SAFETY CARTRIDGE	1011190	2786 0913 99 09 N	

SR.NO.	DESCRIPTION	FLEETGUARD PART NO.	TELCO PART NO.	QTY
01	NUT	1012014	2786 0913 65 01N	1
02	'U' SEAL	1012042	2786 0913 77 07N	1
03	STUD WING ASSEMBLY	1012013	2786 0913 02 47N	1
04	SEALING WASHER	1012045	2786 0913 91 01N	1
05	WING NUT	1012015	2786 0913 65 02N	1
06	DUST CAP	1030153	2786 0913 99 13N	1

TELCO PART NO. 2076 0913 01 81

TECHNICAL DETAILS

1. FLOW RATE - MIN. 550 CFM AT 7" OF WATER PRESSURE DROP [MIN. 15.57 m³/min AT 17.78 cm OF WATER PRESSURE DROP] AT STD CONDITIONS AS PER SAE J726
2. MINIMUM EFFICIENCY (INITIAL)- 98.5% AS PER SAE J726 TEST CONDITIONS.
3. MINIMUM EFFICIENCY (FULL LIFE)- 99.9% AS PER SAE J726 TEST CONDITIONS.
4. MINIMUM DUST HOLDING CAPACITY :- TO BE DETERMINED.
5. HOUSING TO SUSTAIN +/- 1.5 G AT 25 Hz FOR 500 HOURS OR AS PER JIS D 1601 TABLE 2 CLASS 1: TYPE C (4.5 G FOR 8 HOURS).
6. DUST CAP HARDNESS 55MIN/75 MAX SHORE "A"
7. HOSE CLIP-AS PER IS 4762 OR EQUIVALENT SIZE-90 (MATERIAL-STAINLESS STEEL)
8. HOUSING TO BE AIR TIGHT (LEAK PROOF) AT MINIMUM 0.3 bar AIR PRESSURE.
9. HOUSING TO BE BLACK POWDER COATED, AS PER TELCO STD. SS-7651
10. → INDICATES READABLE DIRECTION OF TEXT ON STICKER.

DO NOT SCALE THIS DRAWING

THIS DRAWING (AND THE DATA SHOWN THEREON) IS CONFIDENTIAL AND IS A PROPRIETARY OF FLEETGUARD FILTERS PVT. LTD. AND THE SAME SHALL NOT BE USED, DISCLOSED TO OTHERS OR REPRODUCED FOR ANY PURPOSE EXCEPT WITH EXPRESS WRITTEN PERMISSION FROM FLEETGUARD FILTERS PVT. LTD. AND/OR ITS SUBSIDIARIES WITHOUT THEIR WRITTEN CONSENT TO USE THIS DRAWING OR DATA PRINTED AND/ OR WRITTEN THEREON.

PART NO 8250003-C	REF. DRAWING NO. ---
CUSTOMER DRAWING NO. ---	CUST. DRAWING NO. 2076 0913 01 79
CLASSIFICATION OF CHARACTERISTIC.	
CRITICAL () MAJOR () MINOR (NONE) ()	MATERIAL ---
	ENGR. STD. ---
	ICS NO. ---
UNLESS OTHERWISE SPECIFIED DIMENSIONS ARE IN MILLIMETERS	
THIRD ANGLE PROJECTION	
<p>Fleetguard, India.</p> <p>TITLE ASSEMBLY AIR CLEANER (CPTA 1516 TC- 4*4)</p>	
DRN V.K.S	DATE 4.6.2002
CHD K.A.K	DATE 7.6.2002
APPD T.H.D	DATE 7.6.2002
SCALE- 1:2	DRAWING CONTROL FFL
SHEET 1 OF 1	REV. 00
DRAWING NO. 8250003	SIZE A1

3/10/02	96 JM			PARTY'S DRG. RELEASED	
Date	Mod No.	S.No	Zone	Modification	D.B.

10 20 30 40 50 60 70 80 90 100