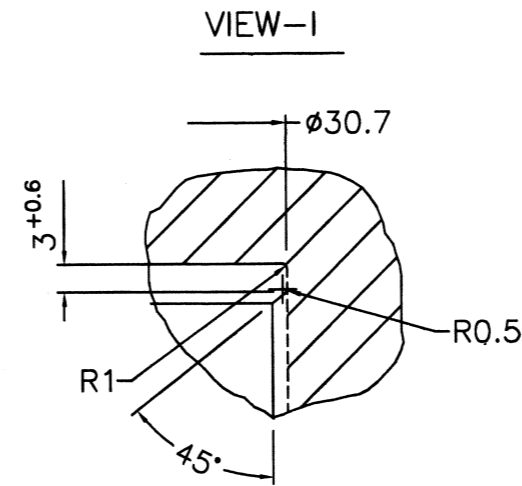
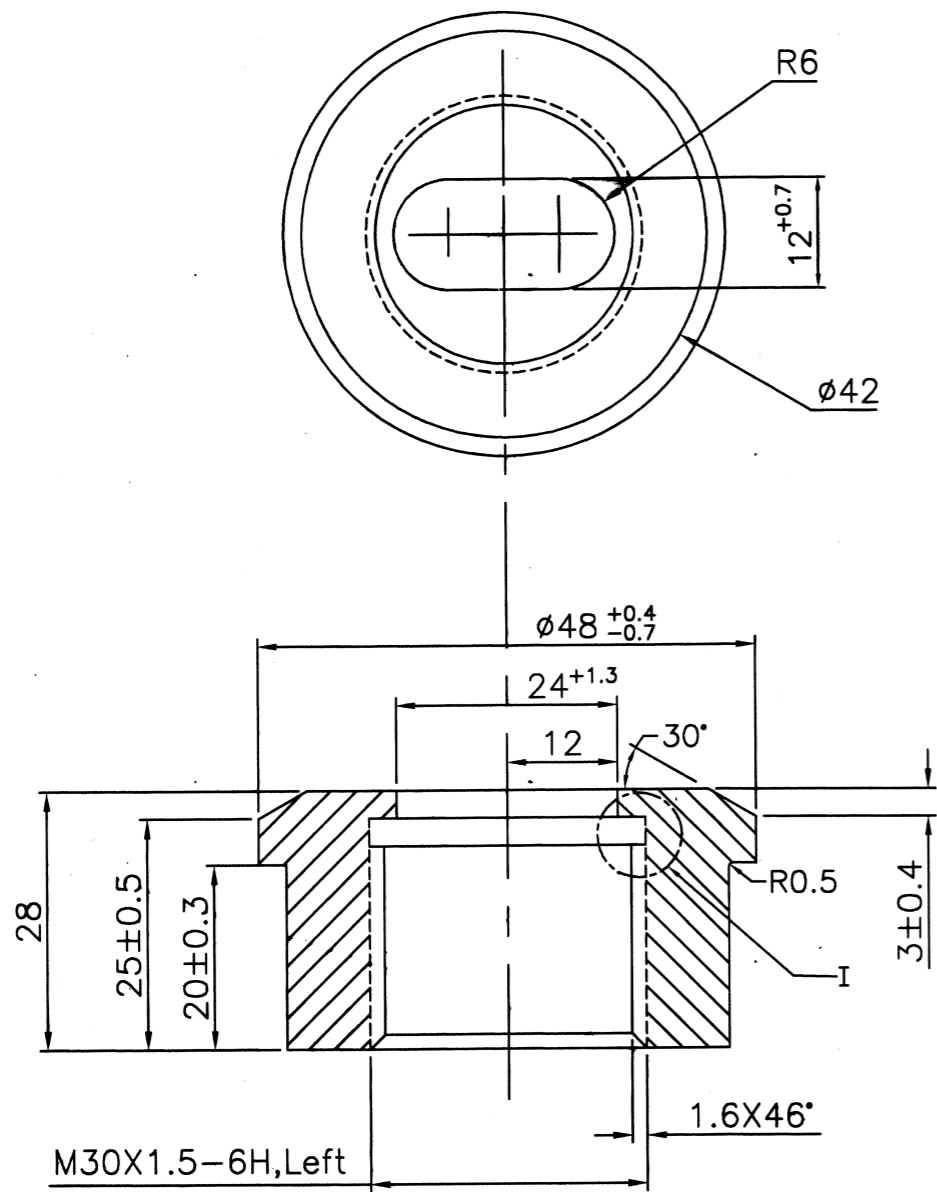


D:\MVK\R&D(040)\040-01-4117-1 (BUSH)



- NOTE
- 1) BLUNT SHARP EDGES.
 - 2) HARDNESS - HB 302-255.
 - 3) COATING MAY BE CARRIED SIMILAR TO DRG. NO. 765-58-312.

ORDNANCE FACTORY, MEDAK
 Yeddumailaram-502 205 (AP)
 Research & Development Section
 Issue of Drawings

Control No:..... Date:.....
 Issued To:

No. of prints:.....
 HOS/R&D

ISSUE	APPRD.	NATURE OF AMENDMENT	
		DRG. NO: 640-01-4117-1	
AUTHD		BUSH (REAR DOOR LOCK ASSY)	SHEET NO
APRD. M.S.P			SCALE
CHKD. M.K.			WEIGHT
DRWN. M.V.K.	9/04		
	NAME SIGN DATE	MATERIAL: GR. 42Cr4M02 IS:5517-93.	THIRD ANGLE PROJECTION

USED ON QTY./VEH. 01
 M.P.V. 01