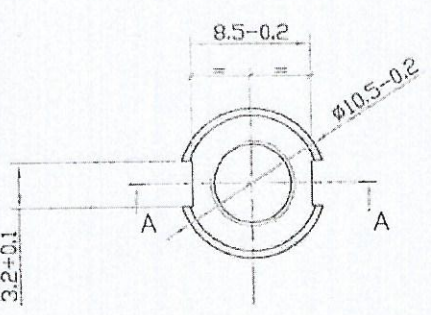
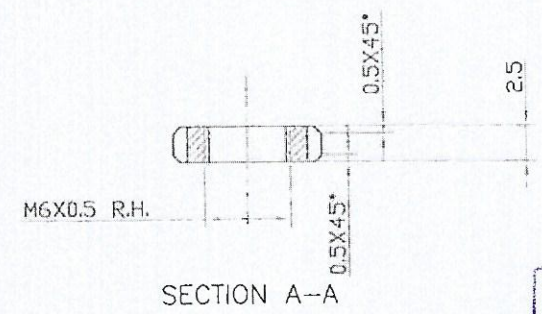


1	2	3	4
ISS	C	A	MA
A	0	0	0
0	1	1	0
0	0	0	0
0	0	2	0
0	3	0	3
0	2	0	4
0	2	0	4

GEN TOL FINE/MEDIUM/COARSE
CLASS TO IS:2102

DRG CONVENTIONS CONFIRM TO INDIAN STD
DIMN IN mm UNLESS OTHERWISE STATED



आरेखण की सही प्रमाणित
प्रतिलिपि दिनांक.....
Certified as correct copy
of drg. *JW/MMD*
क. कार्यभार प्रबन्धक
JW Works Manager
प्रबन्धक प्रकोष्ठ
STANDARD CELL

CONTROL COPY No. 1

- NOTE : 1) REMOVE ALL SHARP EDGES AND BURRS
2) HARDNESS : 300-330 H.V
3) ALT. MATERIAL: MIM S7 (AISI S7 EQUIVQLENT)
HARDNESS : 500-600 HV

Received on 29/11/15

S No	DATE	AUTHORITY	BRIEF RECORD	ZONE	CD	GO
DRN	PGG	CHD <i>Koswale</i>	MATERIAL :		SIGN	
APPD	DATE 25/11/2015	For Director <i>[Signature]</i>	STEEL TO IS: 5517-1993, Gd-42Cr4Mo2 (En-19)			
SEALED DATE			PROTECTIVE FINISH : PHOSPHATED TO SPECN. IS:3618-1966, CLASS 'B'			
SCALE 2:1		EST MASS	TITLE			
DESIGN AUTHORITY			NUT PLAIN ROUND LOCK FORE SIGHT			
ARDE						
PUNE 41102						

DRG.No.	0	2	0	4	0	3	0	2	0	0	0	1	0	1	1	0	0	D	A
	IC	SS	S	AA	A	C	SST												

PART No	DS CAT No	AHSP
---------	-----------	------