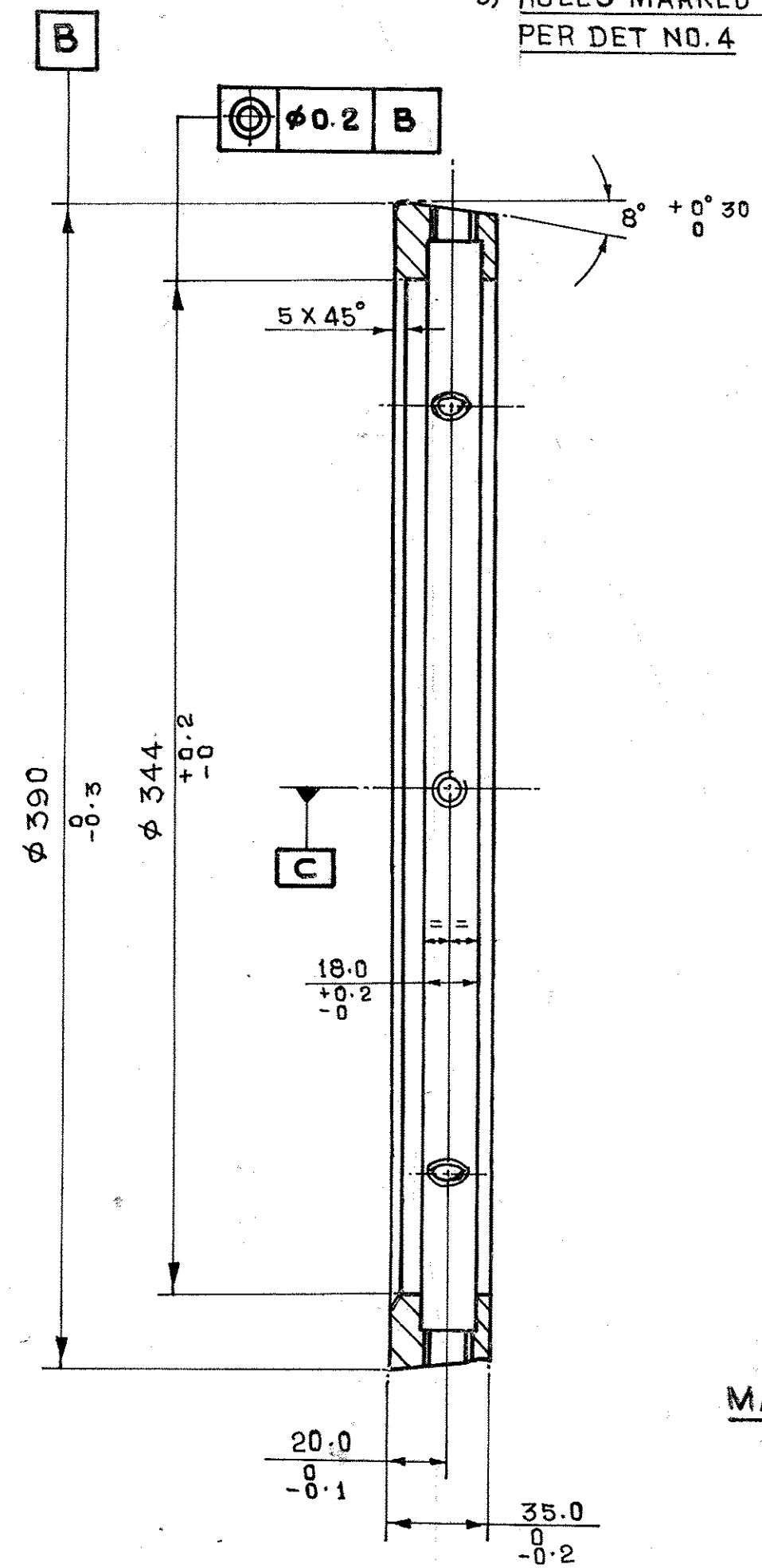
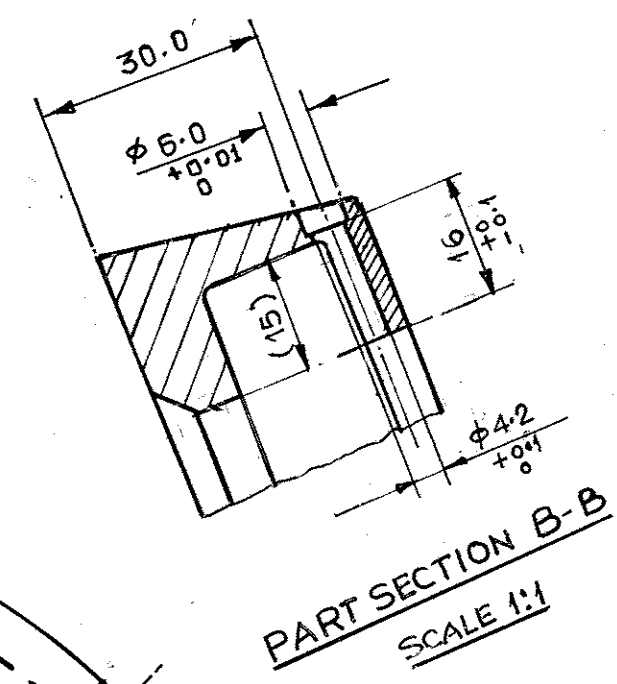
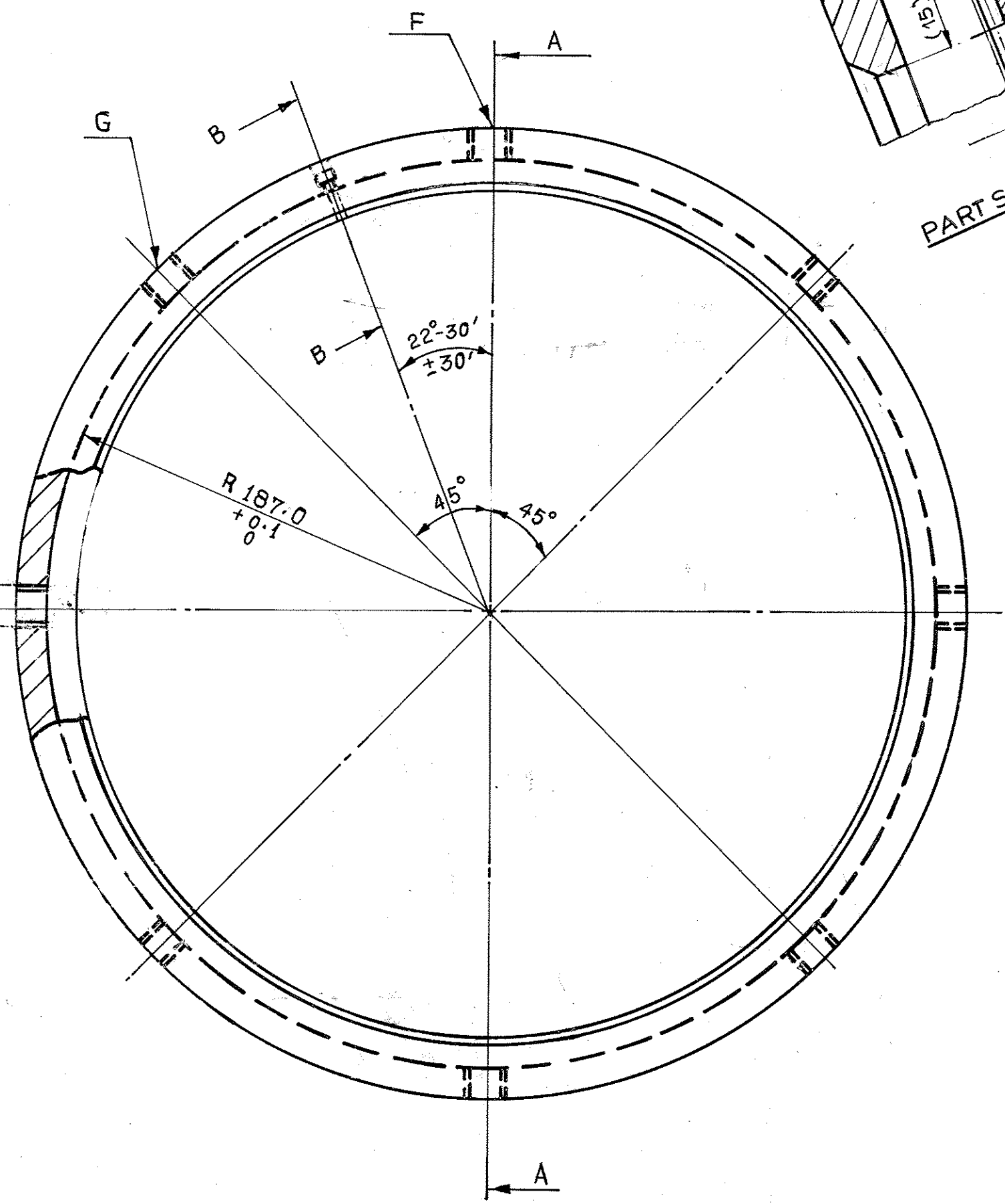


DRAWING CONVENTIONS CONFORM TO IS:	
DIMNS ARE IN m.m. UNLESS OTHERWISE STATED	
PART No.	GEN. TOL. MEDIUM CLASS TO IS:2102
DET No. 6	SHTS. 3
ARDE 2139	
DRG. No.	

- NOTE**
- 1) ALL SHARP EDGES AND BURRS ARE TO BE REMOVED
 - 2) QUANTITY 8 EQUISPACED TAPPED HOLES MAY ALSO BE MADE AFTER ASSY IN CONE BODY ASSY (DET NO. 4)
 - 3) HOLES MARKED G & F ARE TO BE LOCATED AS PER DET NO. 4



MATL
 STEEL TO IS: 2004 CLASS 2/2 A
 NORMALISED CONDITION OR IS:2062 Fe 410WB

SECTION A-A

DRN. sd/-	CHD. sd/-	TRD. sd/-	COMP.	ASSY DRG. ARDE 2139/6 SHT.No.1
CD. sd/-	PASSED	SCALE: 1:2		DESIGN AUTHORITY
APPROVED: sd/-			EST MASS:	ARDE PUNE-411 021
(R.VIJAYPPAN) sc. B FOR DIRECTOR			GAUGE SCHD:	
R. NO.	DATE:	AUTHORITY	BRIEF RECORD	DATE: 23-2-2000
1	11-1-95	DRG. AMENDED VIDE AL.No.2/95	ZONE	
DRG SEALED (PROV)	sd/-	03 JUL 2000	CRE (A A)	PROTECTIVE FINISH: PHOSPHATED TO IS:3618 CL'B'

TITLE:			CONE RING			DRG. No.			ARDE 2139 (ISSUE-I)		
						DET. No. 6			SHTS 3 SHT.No. 2		
						PART. No.					
						D.S.CAT. No.					
						A.H.S.P.					