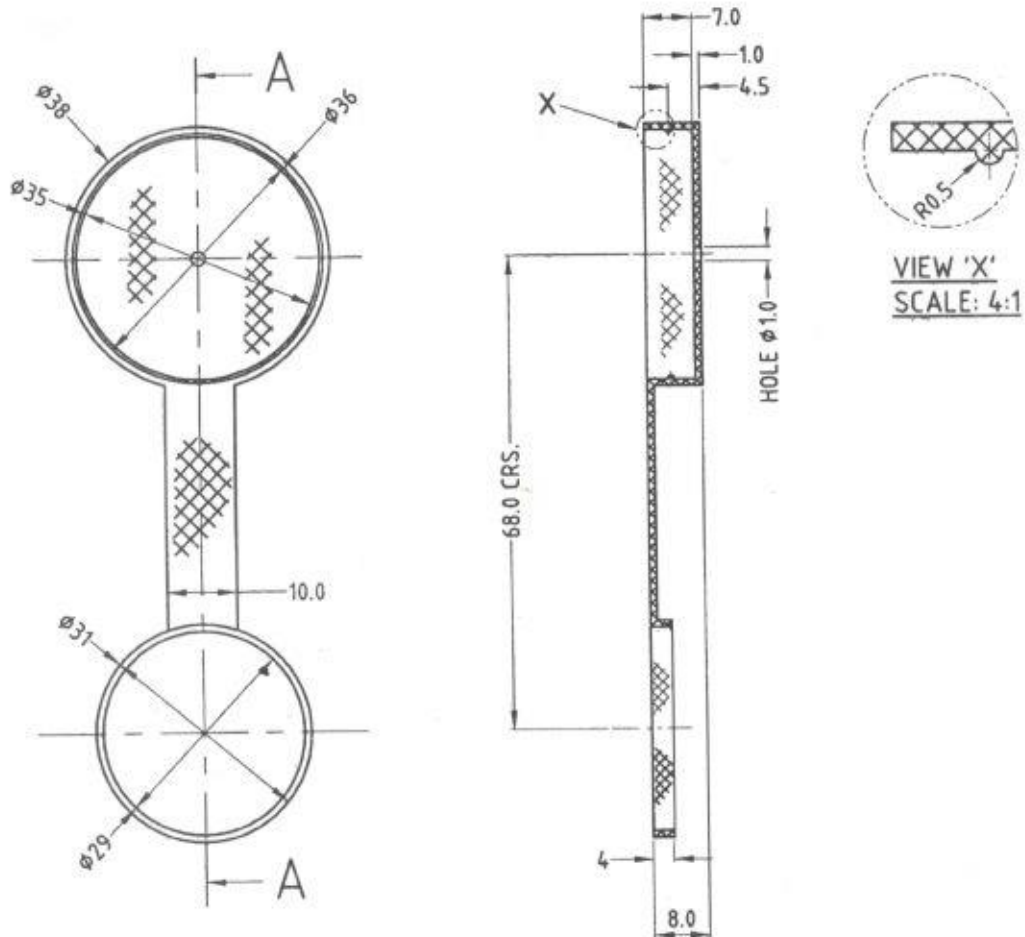


P. N. V. MONOCULAR

CAP, O.G.

(1) FOR EXPLANATION OF DIMENSIONS ETC., SEE CQA(I) GUIDE NO.- 001-2016
 (3) THIRD ANGLE PROJECTION

(2) ALL DIMENSIONS ARE IN MILIMETERS.



VIEW 'X'
SCALE: 4:1

SEC. A' - A'

FOR TRADE ONLY
 Date of Issue 11/01/2019
Rep

MATL.:- VULCANIZED STYRENE BUTADINE RUBBER
 BASED COMPOUNDS TO IS: 7450-1974. Gd.-2
FINISH:- CLEAN

		DT. 20-06-18	SCALE:- 1/1
		DR.- P.C.SINGH	MATERIAL AS ABOVE FINISH AS ABOVE
		TR.-	
D.A. No.-13/2019, DT.-09/05/2019		CH. <i>[Signature]</i>	SHEETS-1 SHTS.-1
D.A. No.-02/2019, DT.-09/01/2019		APPROVED.	DRAWING NO- CWC-252/16
AMENDMENTS.		<i>[Signature]</i>	
OFD/DO/002		(Kuldeep Saini) JWM/D.O. (S.Bhaskar) AWM/Opt.	

ORDNANCE FACTORY, DEHRADUN.