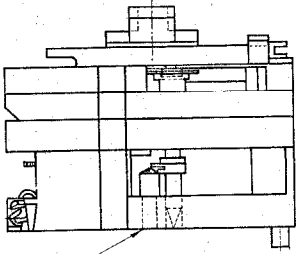


12  
11  
10  
9  
8  
7  
6  
5  
4  
3  
2  
1

DRG CONVENTIONS CONFORM TO IS 696  
DIM. ARE IN MM

10X 79 A SHT. 1

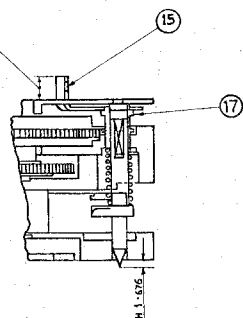
PART N<sup>o</sup>.  
D.C.I. 33461-A



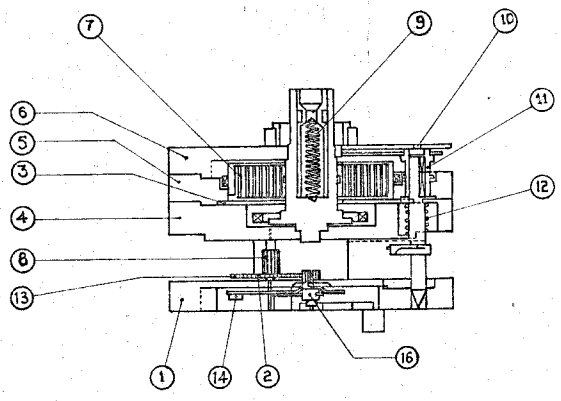
ELEVATION OF COMPLETE MECHANISM

END OF PILLER SET OVER BUT MUST NOT STAND PROUD OF BOTTOM FACE

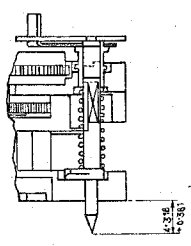
LO:08 WHEN PRESSED DOWN ON TO BARREL.



SECTION BC STRIKER  
ARRESTED BY SAFETY CATCH



SECTION ABC STRIKER LUG RESTING ON PILLAR



SECTION BC STRIKER FIRED

LIST OF COMPONENTS

ITEM No.	DESCRIPTION	PART No.	DESIGNER'S REF.	NO. PERSET
1	BOTTOM PLATE	IQX 801	ARDE 1967/2	1
2	SCAPE PINION AND WHEEL ASSEMBLED	QX 305A	FD. 3363	1
3	DISC CLOSING	QX 1231	D3(L) 5757	1
4	TRAIN PLATE	IQX 802	ARDE 1967/3	1
5	BARREL PLATE	IQX 803	ARDE 1967/4	1
6	TOP PLATE	IQX 804	ARDE 1967/5	1
7	MAIN SPRING	QX 616	D3(L)1504/286	1
8	<del>CENTRE ARBOR</del> SCAPE PINION	QX 781	FD.3362	1
9	HAND SPRING	QX 614	FD. 3351	1
10	LEVER PIVOT	QX 744	FD. 3348	1
11	LEVER ARBOR	QX 595	FD. 3345	1
12	STRIKER SPRING.	QX 617	FD. 3349	1
13	<del>STRIKER</del> SCAPE WHEEL	QX 780	FD. 3361	1
14	PELLET WITH ARBOR AND WEIGHTS ASSEMBLED	QX 295A	FD. 3360	1
15	LEVER	QX 596	FD. 3346	1
16	PALLET ARBOR	QX 779	FD. 3359	1
17	LEVER AND LEVER ARBOR ASSY	QX 12 SA	FD. 3347	1

NOTES:-

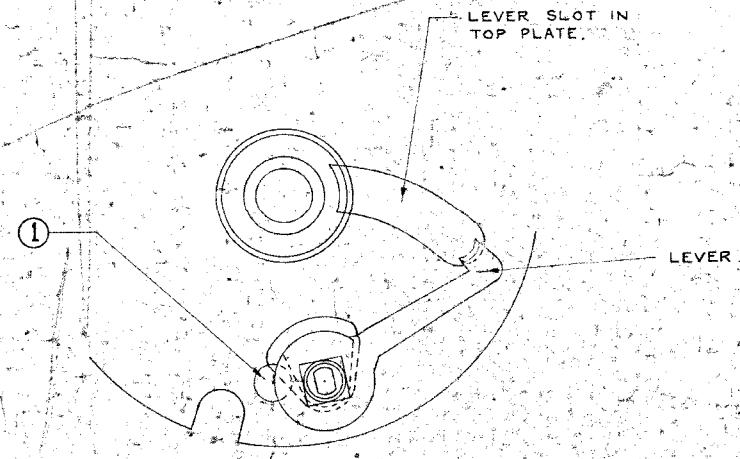
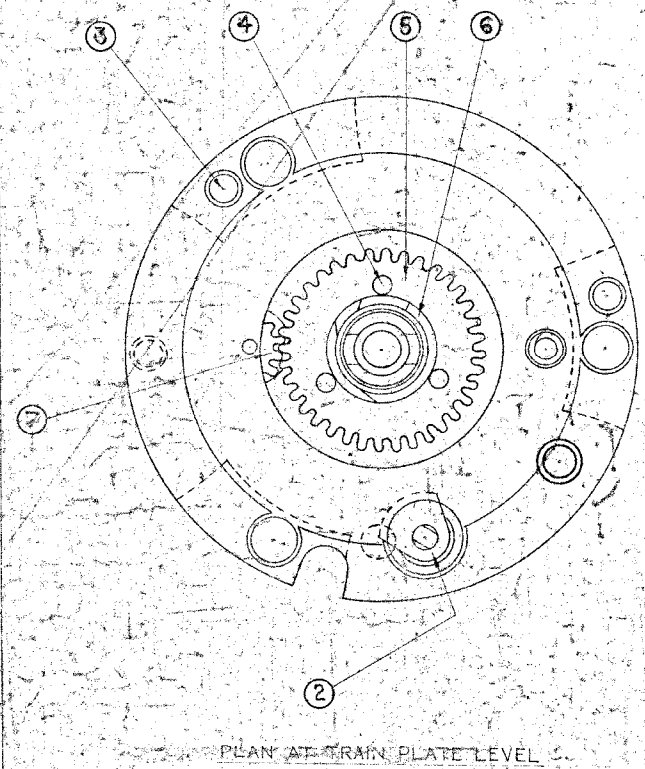
- (1) TOLERANCE ON UNTOLERANCED DIMENSIONS FOR ONE DECIMAL PLACE  $\pm 0.13$  FOR TWO OR MORE DECIMAL PLACES  $\pm 0.13$ .
- (2) ALL BURRS AND SHARP EDGES TO BE REMOVED.

1	19.7.05	SCANNED WITHOUT CHANGE	DRN	CHD	TRD	BMM	COMP	ASSY DRG. - 10X 67 SE
2	19.6.80	DS. CAT NO. ADDED.	CD	PASSED	SCALE			DESIGN AUTHORITY
3	19.6.80	UNDER SUPERVISOR'S SIGNATURE			FOR VERIFICATION			ARDE PUNE 21
4	19.8.80	DWG. 1-678 WAS 10-678	APPROVED		GAUGE S/C/B			
5	19.7.83	DWG. PROV. SEALED			DATE 4.3.83			
DR	DATE	AUTHORITY	BRIEF RECORD	ZONE	ANSP. SIGN.	MATERIAL	PROTECTIVE FINISH	DESIGNER'S REF.
								ARDE 1967
								DET. 1 (A) SYSTEM - SHT. 1
								PART NO. IQX 79 A SHT. 1
								DS. CAT. NO. 1960-000507
								ANSP. C1(A) KIRKKEE.

MECHANISM TIME 80 SECONDS N<sup>o</sup> 1A (M2) FOR FUZE T AND P DA N<sup>o</sup> 213 P MK 5 (M-3)&(M-4)

2 LHS V 67 X 01 DRG CONVENTIONS CONFORM TO IS: 696.  
 PART NO. DIMNS. ARE IN mm  
 DCI.33461-A

LIST OF COMPONENTS				
ITEM NO.	DESCRIPTION	PART NO.	DESIGNER'S REF.	NO. PER SET
1	PILLAR	QX760	F.D. 3350	1
2	STRIKER	QX618	F.D. 3350	1
3	DOWEL PIN SHORT	QX761	F.D. 3353	1
4	CENTRE ARBOR & WHEEL ASSEMBLY	QX209A	F.D. 3354	1
5	CENTRE WHEEL	QX777	F.D. 3351	1
6	CENTRE ARBOR	QX778	F.D. 3352	1



3	27-6-67	DCI.34102-A	DS CAT NO ADDED.					DRN:-	CHD:-	TRD:-	PDS:-	COMP:-	AS97 DRG
2	16-3-84	DCI.33629-A	UNDER Nomenclature's (M-4) ADDED					APPROVED		SCALE:-			
1	20-7-83	DCI.33461-A	DRG SEALED - PROV.							EST MASS:-			
R. No.	DATE	AUTHORITY	REVISION	ZONE	AHSP	D.C.	SIG	MATL:-	FOR DIRECTOR	GAUGE SCHD			
								PROTECTIVE FINISH:-		DATE:- 4-3-83			
DRG. SEALED - 20-7-83 (PROV.)			APPROVED										

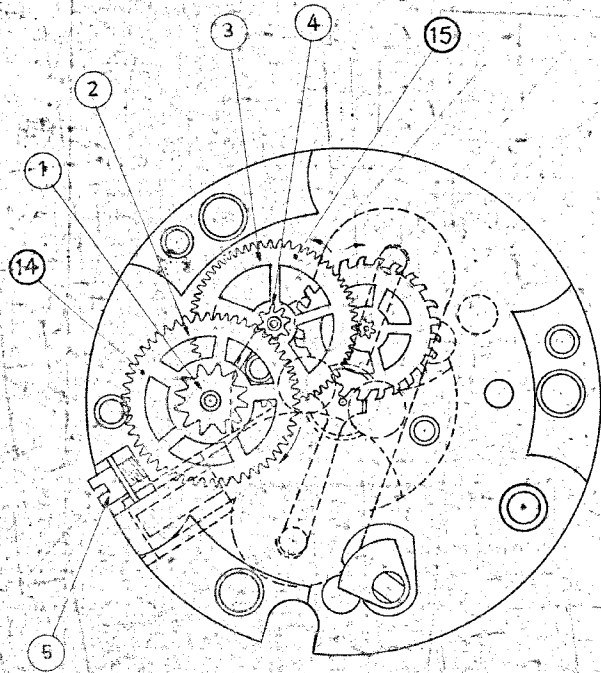
**MECHANISM TIME 80 SECONDS 1A (M-2) FOR  
 FUZE T&P DA NO. 213 P MK 5 (M-3) & (M-4)**

ARDE 1947  
 1390-00050  
 218

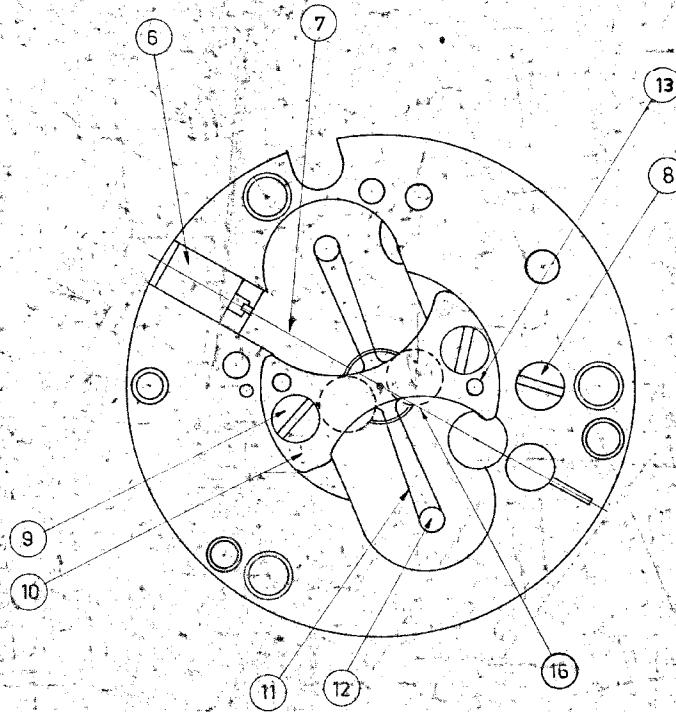
THIS 67 X 01  
PART No. 79

DRG. CONVENTIONS TO CONFORM TO IS: 696  
DIMS. ARE IN mm.

D.F.I. 33461-A



PLAN AT BOTTOM PLATE LEVEL  
ARROWS INDICATE DIRECTION OF RUN



INVERTED PLAN OF ASSEMBLED MECHANISM

LIST OF COMPONENTS

ITEM No.	DESCRIPTION	PART No.	DESIGNER'S REF.	No PER SET
1	THIRD PINION	QX 785	F.D. No. 3368	1
2	THIRD WHEEL	QX 784	F.D. No. 3367	1
3	FOURTH WHEEL	QX 782	F.D. No. 3364	1
4	FOURTH PINION	QX 783	F.D. No. 3365	1
5	REGULATOR SCREW	QX 628	F.D. No. 3379	1
6	REGULATOR	QX 608	F.D. No. 3378	1
7	HAIR SPRING	QX 597	F.D. No. 3377	1
8	MOVEMENT SCREW	QX 621	F.D. No. 3380	1
9	SCREW COVER PLATE	QX 629	F.D. No. 3388	2
10	COVER PLATE	QX 787	F.D. No. 3385	1
11	PALLET	QX 599	F.D. No. 3357	1
12	PALLET WEIGHT	QX 600	F.D. No. 3358	2
13	DOWEL PIN COVER PLATE	QX 766	F.D. No. 3399	2
14	THIRD PINION AND WHEEL ASSY	QX 32 SA	F.D. No. 3363	1
15	FOURTH PINION AND WHEEL ASSY	QX 31 SA	F.D. No. 3366	1
16	WIRE SECURING HAIR SPRING & METHOD OF ASSY	QX 752	F.D. No. 3376	1

3	27.6.87	DCI 34169-A	DS CAT NO ADDED				DRN	CHD	TCD	SP J	COMP	ASSY DRG
2	26.6.87	DCI 33629-A	UNDER NOMENCLATURE (AM-4) ADDED				APPROVED	PASSED	SCALE	EST MASS		
1	20.7.83	33461-A	DRG. SEALED PROV.						GAUGE SCHED	DATE		
RND	DATE	AUTHORITY	REVISION	ZONE	A/ISP	D.O	MATL	PROTECTIVE FINISH				
DRG. SEALED - 20.7.83 (PROV)			APPROVED	FOR C.I. (A)								

MECHANISM. TIME 80 SECONDS 1A(M-2) FOR  
FUZE T&P DA NO.213 P MK 5(M-3)&(M-4)

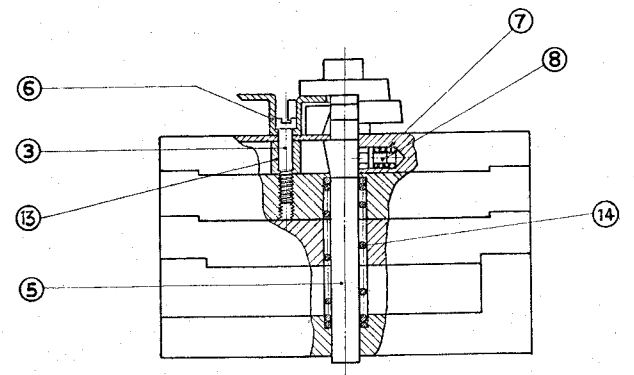
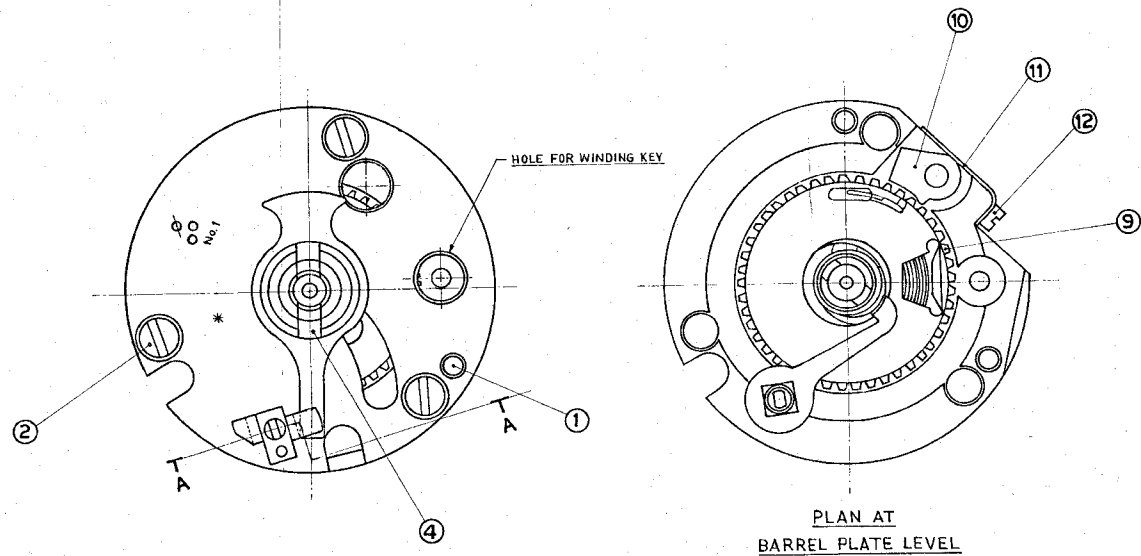
DESIGNER'S REF  
ARDE 1967  
DATE: 20.7.83  
PART NO. 33461-A

DRG CONVENTIONS CONFORM TO IS: 696  
DIMNS ARE IN mm

10X 79 A SHT 4

PART NO. 1390-000507

D.C.I. 33461-A



PART SECTION 'AA'

LIST OF COMPONENTS.

ITEM NO.	DESCRIPTION	PART NO.	DESIGNER'S REF.	NO. PER SET
1	DOWEL PIN, LONG	QX 762	FD 3394	1
2	HOLDING SCREW	QX 759	FD 3387	3
3	SCREW BRIDGE	IQX 810	ARDE 1967/11	1
4	HAND & HAND CENTRE ASSY	IQX 62 SA	ARDE 1967/12	1
5	PLUNGER	IQX 807	ARDE 1967/8	1
6	BRIDGE	IQX 809	ARDE 1967/10	1
7	SPRING LOCKING BOLT	QX 750	--FD 3374	1
8	PLUNGER LOCKING BOLT	IQX 806	ARDE 1967/7	1
9	BARREL	QX 615	--FD 3355	1
10	CLICK	QX 611	--FD 3339	1
11	CLICK SPRING	QX 610	--FD 3340	1
12	SCREW CLICK SPRING	QX 610	FD 3341	1
13	SPACER	IQX 808	ARDE 1967/9	1
14	SPRING (PLUNGER)	IQX 805	ARDE 1967/6	1

NOTE:-  
ALL BURRS & SHARP EDGES TO BE REMOVED

MARKINGS:

- No.1 TYPE OF MECHANISM AS APPLICABLE
- ⊗ MECHANISM SERIAL NUMBER.
- ⊙ YEAR OF MANUFACTURE/MODIFICATION WHERE APPLICABLE.
- \* INITIALS OF CONTRACTOR MANUFACTURING/MODIFYING CLOCK WHERE APPLICABLE.

19-7-00	SCANNED WITHOUT CHANGE.	DRN VDK	CHD	TRD UND	COMP	ASSY DRG	IQX 67 GE
3	27-6-87 D.C.I. 34168-A	DS CAT NO ADDED.	CD	PASSED	SCALE	DESIGN AUTHORITY	
2	24-8-84 D.C.I. 33029-A	UNDER NOMENCLATURE'S (M-4) ADDED	APPROVED	EST WEIGHT	GAUGE SCHD	ARDE PUNE-21	
1	29-7-83 D.C.I. 33461-A	DRG. PROV. SEALED.	FOR DIRECTOR	DATE	4-3-83		
R	DATE AUTHORITY	BRIEF RECORD	ZONE	ASST. D.O.	MATL:		
NO	DRG. SEALED:- 20-7-83 (PROV)	APPROVED	SIGN	FOR S.I. (A)	PROTECTIVE FINISH		

MECHANISM TIME 80 SECONDS 1A (M-2)  
FOR  
FUZE T & P DA NO.213 P MK 5 (M-3) & (M-4)

DESIGNER'S REF  
ARDE 1967  
(4 SHTS) SHT. 4  
PART NO. IQX 79 A SHT. 4  
DS CAT NO. 1390-000507  
AHSP C I (A) KIRKEE