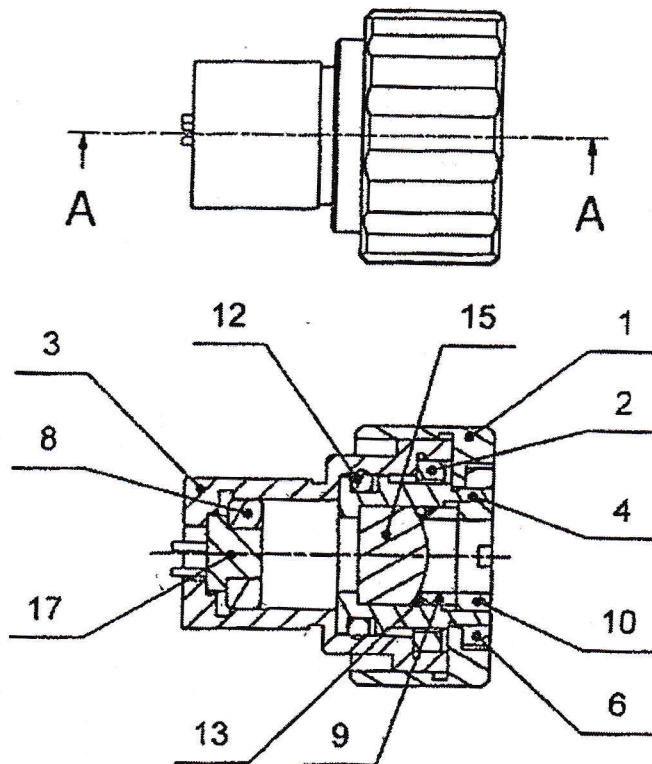


This document is the Property of Bharat Electronics Ltd. Mechhapatnam, India. Reproduction, Utilization or Disclosure to third parties in any form whatsoever is not allowed without written consent of the proprietors.



A-A (2:1)

NOTES:

1. APPLY ULTRARED SUPREME GREASE OVER O-RINGS.
2. APPLY LOCKTITE 242 ON ALL THREADED COMPONENTS.

FOR TRADE FORM  
Date of Issue 03/04/21  
*Raj*

02	5377039	30.06.2016	REFER ECO	VRM	R_RK	YYL			
01	5376160	27.06.2016	REFER ECO	KSJ	YYL	YYL			
00	—	24.06.2016	ORIGINAL	KSJ	YYL	YYL			
VER	ECO NO.	REL DATE	CHANGE	DO	ENGR	APVD	NEXT ASSY. NUMBER	ITEM	QTY
MATERIAL			FINISH	PROJECTION		ALL DIMENSIONS ARE IN MM UNLESS OTHERWISE SPECIFIED			LAB/OFFICE
									MAC
DRAWN	CHECKED	ENGINEER	SCALE	TITLE					
RAJU	KSJ	YYL	NTS	LASER MOUNT ASSY					
DT 24.06.2016	DT 24.06.2016	DT 24.06.2016	DOC TYPE	NUMBER			SHEET NO.	VER.	
			GA	1700 005 476 05			001	02	
							NO. OF SH.	SIZE	
							01	A4	