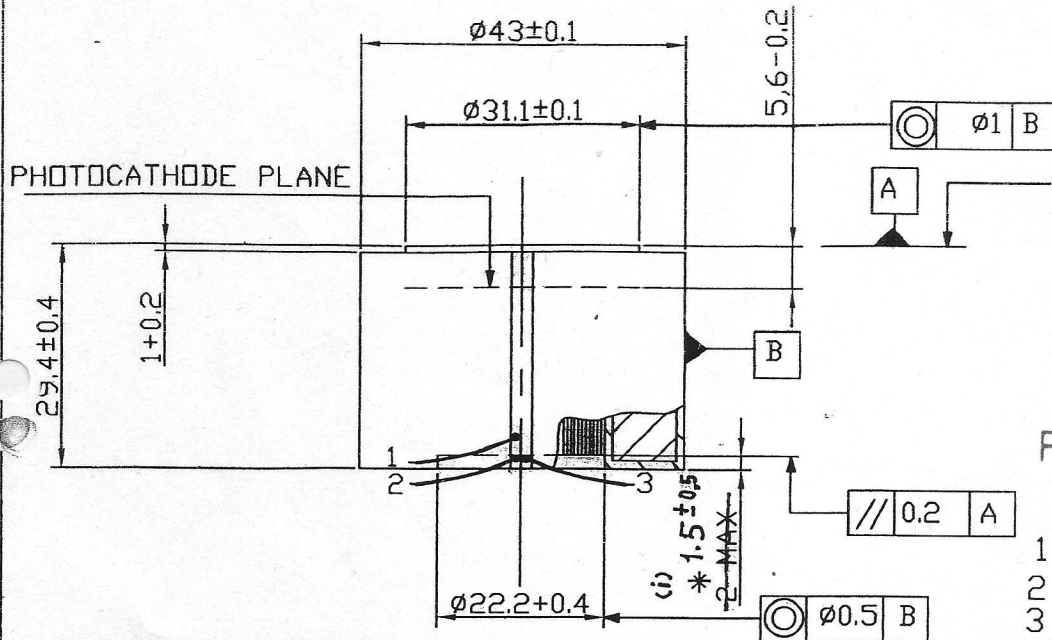


MATERIAL	TREATMENT HARDNESS
SURFACE FINISH	PROTECTIVE FINISH



311218

व्यापार हेतु
FOR TRADE ONLY

WIRES

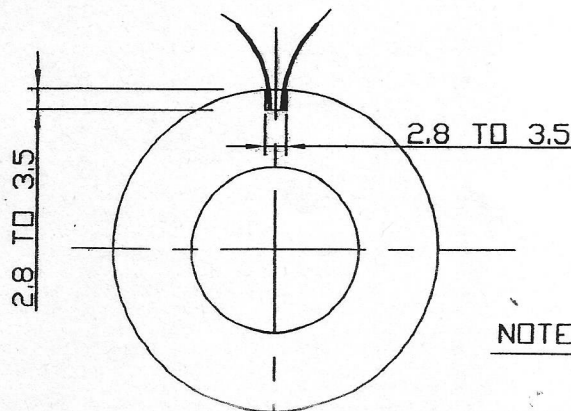
- 1 RED : +BATTERY
 - 2 BLACK: -BATTERY
 - 3 GREEN:+EXTERNAL GAIN
- LENGTH : 200 MIN
PTFE : SHEATØ1

INPUT WINDOW

FLATNESS : 30 FRINGES
REFRACTIVE INDEX : 1.487

OUTPUT WINDOW

FLATNESS : 4 FRINGES



NOTE:

- 1.ALL DIMENSIONS IN mm.
- 2.IMPORTANT DIMENSION MARKED THUS.*

ITEM	DISCRIPTION	No.OFF	MATERIAL	REMARKS
------	-------------	--------	----------	---------

LIST OF PARTS				
COMPT.No.	ASSY. DRG	OPTO ELECTRONICS FACTORY DEHRADUN		
2003	GEN.TOL.IS2102	TITLE HIGH PERFORMANCE SUPER GEN I.I.TUBE WITH "EAGC" (INVERTING TYPE)		
DRAWN	V.THAPA	21/10	REF. M1	
CHD	V.K.SHARMA	21/10	DRG.No. DLF/R&D/IIT/197	
JWM	N.KUMAR	21/10	DATE	
R&D/DA/84	DT/SIGN	DESCRIPTION	M/Y	SCALE 1:1
24.2.2014		DIM. 1.5±0.5 WAS 2 MAX.	10/03	SHTS. 01
AMENDMENTS			APPROVED	SHT.No. 01