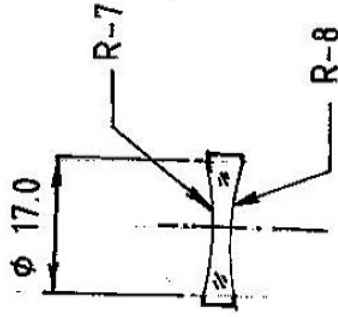
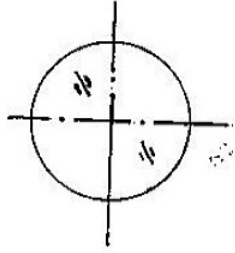


DAY SIGHT TELESCOPE FOR 5.56mm RIFLE

LENS No. V

IRDE - 2603/3

† MCT-1441



LENS No.	GLASS	Nd	R-7	R-8	CT	CA	DIA
V	BSC 510644	1.5097	4.0 ^{+0.2} CAVE	4.0 ^{+0.2} CAVE	2.0	16.0	-0.007 -0.020 18.0

SURFACE ACCURACY- ONE REGULAR RING OVER THE ENTIRE SURFACE
COATING- SINGLE LAYER THIN FILM COATING PEAK AT 0.55 μ

DIMENSIONS ARE IN M/M.
IMPORTANT DIMENSIONS MARKED THUS Ⓞ
INFORMATION MARKED THUS † TO BE MARKED ON.

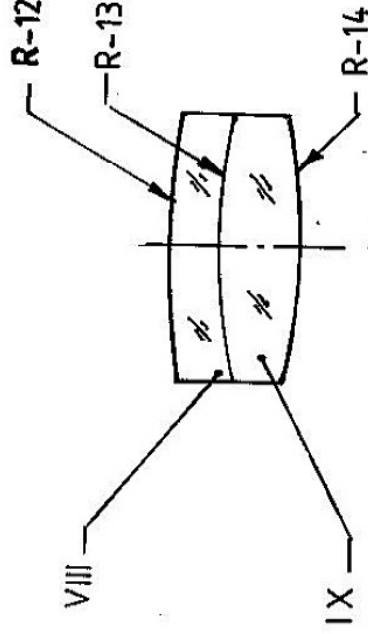
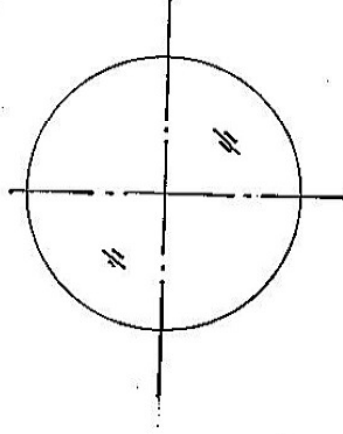
DR-	DATE-11-5-96	SCALE- 1:1
TR-	MATL.:	TREAT.
CH- <i>floor</i>	AS ABOVE	AS ABOVE
	SHEETS- 1	SHT. No. 1
AMENDMENTS	APPROVED	
	<i>Luigi</i> <i>M. Tava</i>	
	DRAWING No. .	

DAY SIGHT TELESCOPE FOR 5.56mm RIFLE

LENS No. VIII & IX / X & XI

IRDE-2603/9

T MCT-1442



LENS No.	GLASS	N _d	R-12	R-13	R-14	C.T.	C.A.	DIA
VIII	EDF 699301	1.69895	68.88 ^{±.4} VEX	25.71 ^{±.12} CAVE		3.0	16.0	18.0 ^{±.007} ±.020
IX	LBC 541595	1.54065		25.71 ^{±.2} VEX	41.87 ^{±.2} VEX	5.5	16.0	18.0 ^{±.007} ±.020

1. SURFACE ACCURACY :- ONE REGULAR RING OVER THE ENTIRE SURFACE
 2. LENS No. VIII & IX TO BE CEMENTED TOGETHER
 3. DOUBLET (X & XI) IS SIMILAR AS DOUBLET (VIII & IX) DIMENSIONS ARE IN M/M.
 4. COATING- SINGLE LAYER THIN FILM COATING PEAK IMPORTANT DIMENSIONS MARKED THUS ⊗ AT 0.55 μ
- INFORMATION MARKED THUS † TO BE MARKED ON.

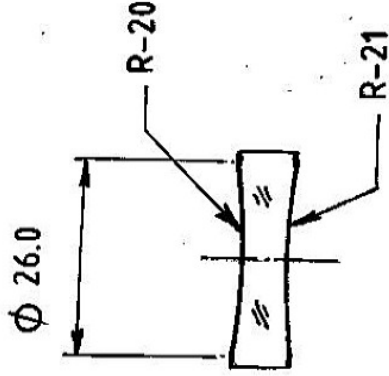
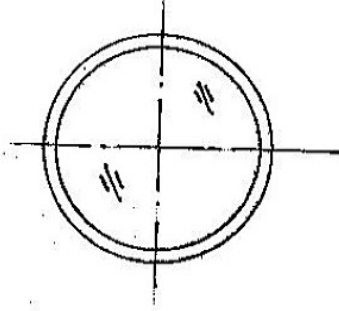
DR-	DATE- 11-5-96	SCALE- 1:1
TR-	MATL. AS ABOVE	TREAT. AS ABOVE
CH- <i>Sharma</i>	SHEETS- 1	SHT. No. 1
APPROVED		
AMENDMENTS	<i>Sharma</i>	MLT/PL
0FD/DO/002	I/C D. O.	WM/PL
DRAWING No. MCT-1442		

DAY SIGHT TELESCOPE FOR 5.56 mm RIFLE

LENS No. XIII

IRPE - 2603/19

† MCT- 1443



LENS No.	GLASS TYPE	Nd	R-20	R-21	CT	CA	DIA.
XIII	DEDF 717295	1.71736	199.3 ± 1.5 CAVE	135.2 ± 1.0 CAVE	6.0	26.0	28.0 -0.007 -0.020

SURFACE ACCURACY :- ONE REGULAR RING OVER THE ENTIRE SURFACE

COATING :- SINGLE LAYER THIN FILM COATING PEAK AT 0.55 μ

DIMENSIONS ARE IN M/M.

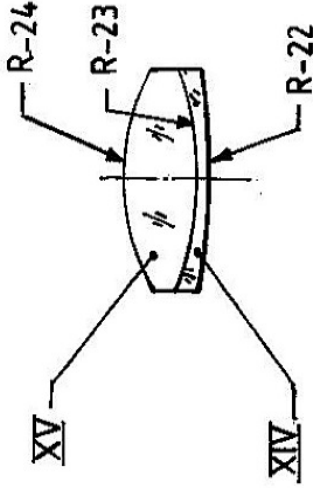
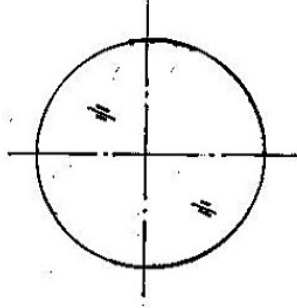
IMPORTANT DIMENSIONS MARKED THUS Ⓞ
INFORMATION MARKED THUST TO BE MARKED ON.

DR-	DATE-10 ⁵ /96	SCALE-1:1
TR-	MATL. AS ABOVE	TREAT. AS ABOVE
CH- <i>Ques</i>	SHEETS- 1	SHT. No. 1
APPROVED		
<i>MLT</i>		
I/C D. O. WM/PL		
AMENDMENTS	DRAWING No.	
0FD/DO/002	MCT- 1443	

DAY SIGHT TELESCOPE FOR 5.56 mm RIFLE
LENS No. XIV & XV

IRPE - 2603/21

† MCT-1444



LENS No.	GLASS TYPE	Nd	R-22	R-23	R-24	C.T.	C.A.	DIA.
XIV	DEDF 717295	1.71736	± 1.0 133.72 VEX	± 0.15 24.91 CAVE		1.7	28.0	$\begin{matrix} -0.009 \\ -0.025 \end{matrix}$ 30.0
XV	MBC 572577	1.5722		24.91 VEX	± 0.2 30.19 VEX	10.0	28.0	$\begin{matrix} -0.009 \\ -0.025 \end{matrix}$ 30.0

SURFACE ACCURACY :- ONE REGULAR RING OVER THE ENTIRE SURFACE.
 COATING :- SINGLE LAYER THIN FILM COATING PEAK AT 0.55 μ
 LENS No. XIV & XV TO BE CEMENTED TOGETHER

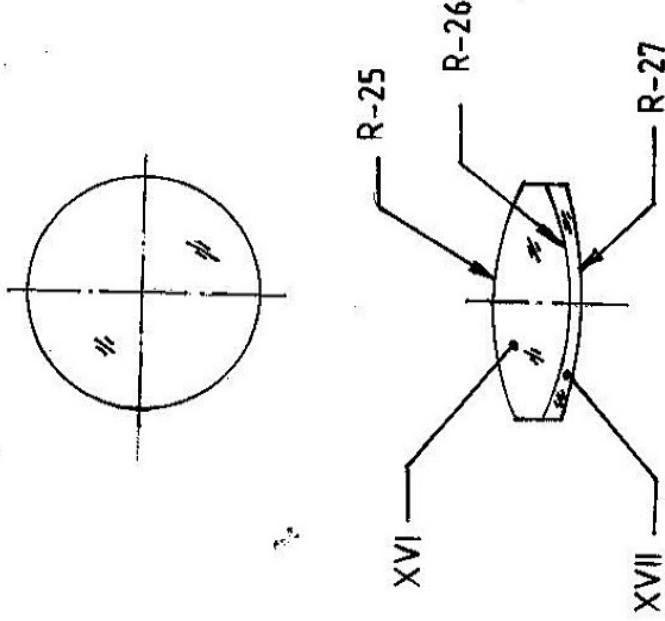
DIMENSIONS ARE IN M/M.
 IMPORTANT DIMENSIONS MARKED THUS. Ⓢ
 INFORMATION MARKED THUS † TO BE MARKED ON.

DR-	DATE-II-5-96	SCALE- 1:1
TR-	MATL. AS ABOVE	TREAT. AS ABOVE
CH- <i>Amey</i>	SHEETS- 1	SHT. No. 1
APPROVED		
<i>Amey</i>		
I/C D. O. WM/PL		
AMENDMENTS		
0FD/DO/002		
DRAWING No.		
MCT-1444		

DAY SIGHT TELESCOPE FOR 5.56 mm RIFLELENS No XVI & XVII

IRDE-2603/23

† MCT-1445



LENS No	GLASS TYPE	Nd	R 25	R 26	R 27	CT	CA	DIA
<u>XVI</u>	MBC 572577	1.5722	± 0.25 32.37 VEX	± 0.2 26.39 VEX		10.0	29.0	$31.0^{+0.009}$ $31.0^{-0.025}$
<u>XVII</u>	DEDF 717295	1.71736		26.39 CAVE	± 0.4 51.24 VEX	1.7	29.0	$31.0^{+0.009}$ $31.0^{-0.025}$

SURFACE ACCURACY :- ONE REGULAR RING OVER THE ENTIRE SURFACE
 COATING :- SINGLE LAYER THIN FILM COATING PEAK AT 0.55 μ
 LENS No. XVI & XVII TO BE CEMENTED TOGETHER

DIMENSIONS ARE IN M/M.
 IMPORTANT DIMENSIONS MARKED THUS ©
 INFORMATION MARKED THUS † TO BE MARKED ON.

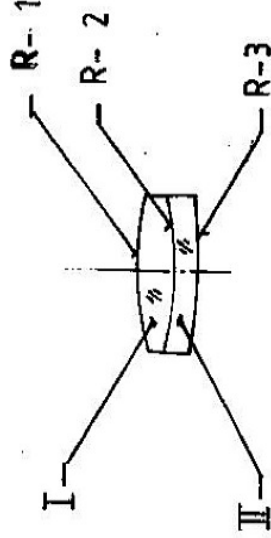
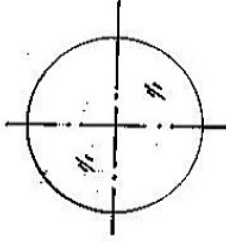
DR-	DATE-10/5/96	SCALE-1:1
TR-	MATL. AS ABOVE	TREAT. AS ABOVE,
CH-	SHEETS-1	SHT. No. 1
AMENDMENTS	APPROVED	DRAWING No.
OFD / DO/002	<i>[Signature]</i> I/C D. O.	MCT-1445
		WM/PL

DAY SIGHT TELESCOPE FOR 5.56 mm RIFLE

LENS No. I & II

IRDE - 2603/5

† MCT-1439



LENS NO.	GLASS	Nd	R1	R2	R3	CT	CA	DIA.
I	LBC 541595	1.54065	± 0.2 37.2 VEX	± 0.15 27.86 VEX		5.0	18.0	± 0.007 20.0
II	EDF 699301	1.69895		27.86 CAVE	± 0.05 86.82 VEX	3.0	18.0	± 0.007 20.0

NOTE- LENS No. I & II TO BE CEMENTED TOGETHER
 SURFACE ACCURACY - ONE REGULAR RING OVER THE ENTIRE SURFACE.
 GOATING - SINGLE LAYER THIN FILM COATING PEAK AT 0.55 μ

DIMENSIONS ARE IN M/M.
 IMPORTANT DIMENSIONS MARKED THUS. Ⓞ
 INFORMATION MARKED THUS† TO BE MARKED ON.

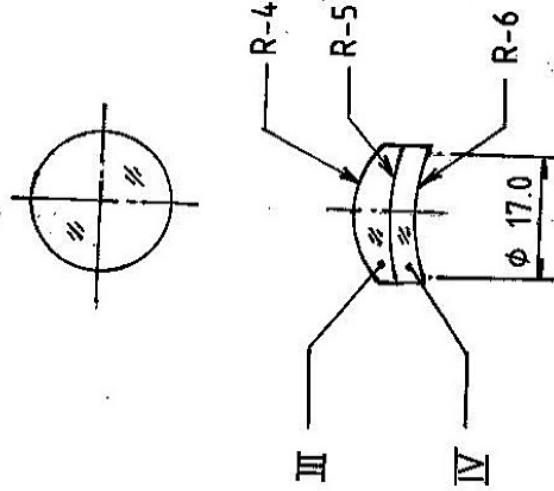
DR-	DATE-11-5-96	SCALE- 1:1
TR-	MATL.	TREAT.
CH- <i>SW</i>	AS ABOVE	AS ABOVE
	SHEETS- 1	SHT. No. 1
AMENDMENTS	APPROVED	
	<i>[Signature]</i>	MLT <i>[Signature]</i>
OFD/DO/002	I/C D. O.	WM/PL
	DRAWING No.	
	MCT-1439	

L/OUT No.

DAY SIGHT TELESCOPE #5.56 mm RIFLE
LENS No III & IV / VI & VII

IRDE - 2603/2

f MCT-1440



LENS No.	GLASS	Nd	R-4	R-5	R-6	CT	CA	DIA
III	LBC 541595	1.54065	± 0.5 12.07 VEX	± 0.25 49.74 CAVE		5.0	16.0	-0.007 -0.020 18.0
IV	EDF 699301	1.69895		49.74 VEX	± 0.1 22.48 CAVE	3.0	16.0	-0.007 -0.020 18.0

SURFACE ACCURACY-ONE REGULAR RING OVER THE ENTIRE SURFACE
 COATING- SINGLE LAYER THIN FILM COATING PEAK AT 0.55 μ
 NOTE-LENS No. III & IV TO BE CEMENTED TOGETHER

2. DOUBLET (III & IV) IS SIMILAR AS DOUBLET (VI & VII)

DIMENSIONS ARE IN M/M.
 IMPORTANT DIMENSIONS MARKED THUS. ©
 INFORMATION MARKED THUS † TO BE MARKED ON.

DR-	DATE-11-5-96	SCALE- 1:1
TR-	MATL. AS ABOVE	TREAT AS ABOVE
CH- <i>[Signature]</i>	SHEETS- 1	SHT. No. 1
APPROVED		
<i>[Signature]</i> I/C D. O.		
AMENDMENTS		
OFD / DO / 002		
DRAWING NO.		
MCT-1440		

WM/PL