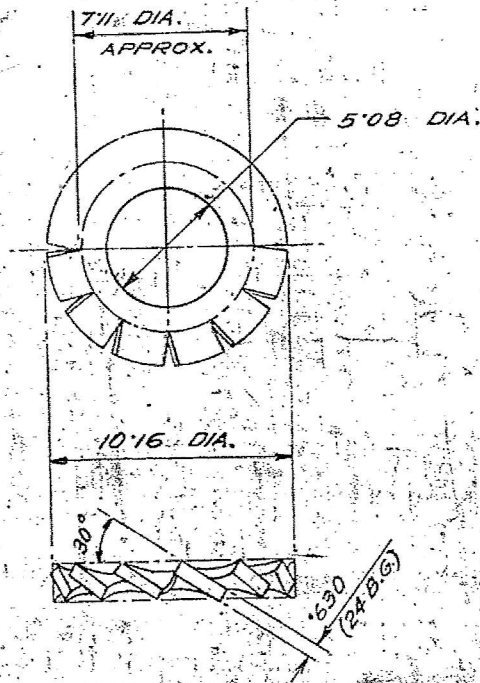


DS CAT. NO.
1005-001718

FOR EXPLANATION SEE D.D. NOTE SHEET NO. 3.
THIRD ANGLE PROJECTION. DIMENSIONS ARE IN MILLIMETRES.



IDENTIFIED CORRECT COPY
OF APPROVED DRAWINGS
AT THE DATE
15 APR 2020

NOTE:-

WHERE TOLERANCES ARE NOT SHOWN
DIMENSIONS IN WHOLE NUMBER OR WITH
ONE DECIMAL PLACE ± 1.27 mm
DIMENSIONS WITH TWO DECIMAL PLACES ± 0.13 mm

TREAT :- HARDENED & TEMPERED TO H.V. 450 TO 550 (59-65 HRD).

FINISH :- PHOSPHATE TO SPECN. ISS. 0165101-1988 CLASS II OIL FINISH.

6/9

UNCONTROLLED COPY

ICR 1817

METRIC

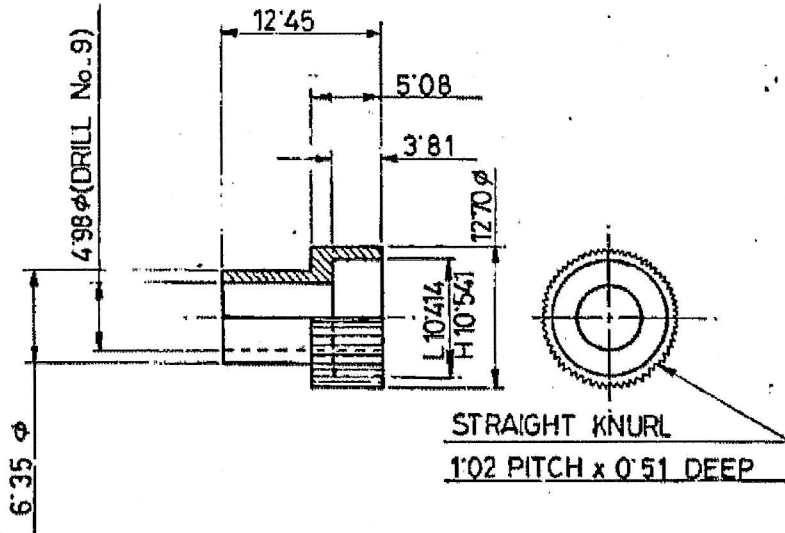
				ASSY. DRG. 1005-001501, 1005-001502, 1005-001503, 1005-001504, 1005-001505, 1005-001712 INSTRUMENTS DRAWN _____ CHECKED _____ TRACED _____ TRICHD _____ DATE 15.10.93 AUTHY. 22302-SA ZONE SA MATERIAL & FINISH AMENDED AND CQA(SA)91 ADDED IN ASSY. COLUMN. DATE 25.12.91 AUTHY. 21519-SA ZONE SA DRG. SEALED NATURE _____ DATE 15.2.77 AUTHY. 15037-SA ZONE SA AMENDMENTS DATE 4.7.87 DESIGNER'S REF CISA/18 DS CAT. NO. 1005-001718 CISA ICHA FIVE			
15.10.93	22302-SA	SA	1005-007723 WAS CQA(SA)-91	LT. COL.	APPROVED		
25.12.91	21519-SA	SA	MATERIAL & FINISH AMENDED AND CQA(SA)91 ADDED IN ASSY. COLUMN.	LT. COL.			
15.2.77	15037-SA	SA	DRG. SEALED	BSS			
DATE	AUTHY.	ZONE	NATURE	SIG.			
SEALEQ.:- D.C.(I) 15037-SA DT. 15.2.77 MATERIAL:- STEEL BS. 1449 PT. 14983 CS 70 TO CS 80 PROTECTIVE FINISH:- AS STATED. ESTIMATED WEIGHT:- SCALE:- 4/1 WASHER LOCK (TOOTH TYPE) (EXTERNAL TOOTH)				DATE 4.7.87 DESIGNER'S REF CISA/18 DS CAT. NO. 1005-001718 CISA ICHA FIVE			

SL 130 3

1005-001593

ON
DS.CAT

FOR EXPLANATION SEE DD NOTE SHEET NO. 3.
DIMNS. ARE IN mm.



NOTE

WHERE TOLERANCES ARE NOT SHOWN
DIMENSIONS IN WHOLE NUMBER OR WITH
ONE DECIMAL PLACE ± 0.27 mm.
DIMNS. WITH TWO DECIMAL PLACES ± 0.13 mm.

CERTIFIED CORRECT COPY
OF APPROVED DRAWINGS
AT THIS DATE

15 APR 2010

Design & Drawing Office
Ordnance Factory,
Tiruchirappalli-620016

METRIC

UN CONTROLLED COPY

ICR 1278

22.03.17	27042-SA	MATERIAL AMENDED.		RKS	
21.10.99	24564-SA	PROFORMA CHANGED, PROTECTIVE FINISH AMENDED, NEG. RE-TRACED AND DRG. RE-SEALED.		And	MB
		PREVIOUS DC NO. 15029-SA, 15204-SA & 18529-SA.		COPY	COPY
DATE	AUTHY.	BRIEF RECORD	ZONE	I/C; D.O.	GO.
SEALED:- DCN. 15029-SA, DT. 14.2.77			SIGN.		
DRN.	CHD.	TRD. <i>Hand</i>	COMP. <i>Hand</i>	AHSP: CQA(SA), ICHAPUR	
SCALE:- NOT TO SCALE		EST. MASS	ASSY. 1005-001590		
DT. 21-10-90		APPROVED	DT. 19.6.67		
		NEG. RE-TRACED	I/C; D.O.		
MATERIAL :- IS: 5517-1993, DESIGNATION 30 C8.					
HT/HARDNESS:-			DGNR'S REF. ARDE 657/158		
PROTECTIVE FINISH :- PHOSPHATE TO SPECN. JSS: 0465-01: 1988 CLASS I, OIL FINISH.			PART NO.		
NOMENCLATURE SLEEVE HANDGUARD			DRG. NO.		
			DS. CAT. NO. 1005-001593		

800900-5085

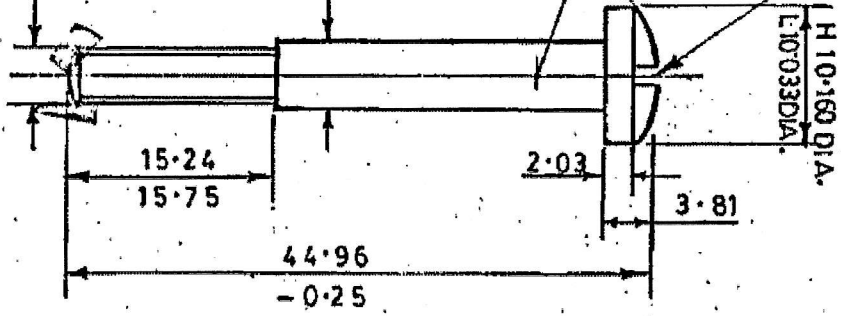
DIMNS. ARE IN m.m.

NO.10 (0-190)
X 32 NF-2 A

H 4.928 DIA.
L 4.877 DIA.

R
SPHERICAL

SCREW DRIVER SLOT
1.27 WIDE X 2.03 DEEP.



NOTE:-
FOR EXPLANATION OF DETAILS WHEREVER NOT SPECIFIED REFER D.D.
NOTE SHEET NO.3 (LATEST ISSUE).
FOR SPECIFICATIONS LATEST ISSUE SHOULD BE FOLLOWED.

METRIC

15 APR 2000

ICR 1196

UN CONTROLLED COPY

14.03.17	27035-SA	MATERIAL AMENDED		
03-04-99	24312-SA	PROFORMA CHANGED, NEG. RE-TRACED AND DRG. RE-SEALED.		
		PREVIOUS D.C.NOS.15037-SA,15587-SA,19202-SA,21340-SA, 21519-SA,22302-SA AND 22759-SA.		
DATE	AUTHY.	BRIEF RECORD	ZONE	I/C,D.O. G.O.
SEALED:- D.C.NO.15037-SA, DATED 15-2-77			SIGN.	
DRN.	CHD.	TRD. <i>M. Banerjee</i>	COMP. <i>M. Banerjee</i>	AHSP. CQA(SA), ICHA PUR
SCALE:- 2:1		EST. MASS		1005-001501, 1005-001502, ASSY. 1005-001503 & 1005-007723.
DT. 03-4-99	<i>Aula</i> I/C, D.O.	APPROVED. DT. 19.6.67 NEG. RE-TRACED.		
MATERIAL :- IS:5517-1993 DESIGNATION 42 Cr 4 M02				DGNR'S REF. ARDE 657/25
HT./HARDNESS :- 300-350 H.V.(47-52 HRD)				PRAT NO.
PROTECTIVE PHOSPHATE TO SPECN. JSS:0465-01-FINISH :- 1988 CLASS I, OIL FINISH.				ORG. NO.
NOMENCLATURE :- SCREW HAND GUARD				D.S. CAT. NO. 5305-005008

171300-0169

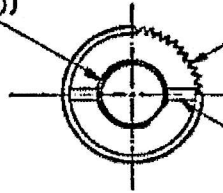
NO.

D.S. CAT

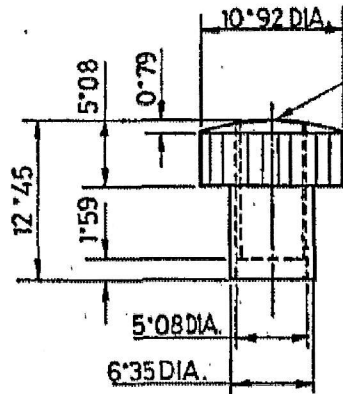
DIMNS. ARE IN mm.

HOLE TAPPED No.10(0.190)
x32NF -2B.

STRAIGHT KNURL
1'02 PITCH x 0'51 DEEP.



SLOT 1'02 WIDE x 1'52 DEEP



R
SPHERICAL.

FOR EXPLANATION OF DETAILS
WHEREVER NOT SPECIFIED
REFER D.D. NOTE SHEET No.3
(LATEST ISSUE)

NOTE :-
FOR SPECIFICATIONS LATEST
ISSUE SHOULD BE FOLLOWED.

CERTIFIED CORRECT COPY
OF APPROVED DIMENSIONS
AT THIS DATE

15 APR 2020

ON CONTROLLED COPY

METRIC

ICR 1276

15.03.17	27036-8A	MATERIAL AMENDED		
08-03-99	24282-3A	PROFORMA CHANGED, NEG. RE-TRACED AND DRG. RE-SEALED. PREVIOUS D.C. Nos. 14976-SA, 15204-SA, 15529-SA, 19202-SA, 21340-SA & 22759-SA.		
DATE	AUTHY.	BRIEF RECORD	ZONE	COPY COPY I/C D.O. G.O.
SEALED:- D.C. No. 14976-SA, DT. 7.1.77			SIGN.	

DRN.	DRN.	TRD. S.K.P	COMP. <i>M. Banerji</i>	AH'S P	CQA(SA), ICHAPUR
SCALE:- 2:1		EST. MASS.		ASSY.	1005-001584
DT. 08-3-99	<i>A. Das</i> I/C; D.O.	APPROVED DT. 19.6.67 NEG. RETRACED.			
MATERIAL :- IS:5517-1993 DESIGNATION 30CB					
H.T./HARDNESS:-				DGNR'S REF.	ARDE 657/159
PROTECTIVE PHOSPHATE TO SPECN. JSS:0465-01:1988 FINISH :- CLASS-1, OIL FINISH.				PART No.	
NOMENCLATURE NUT HAND GUARD SCREW				DRG. No.	
				D.E. CAT. No.	5310-003171