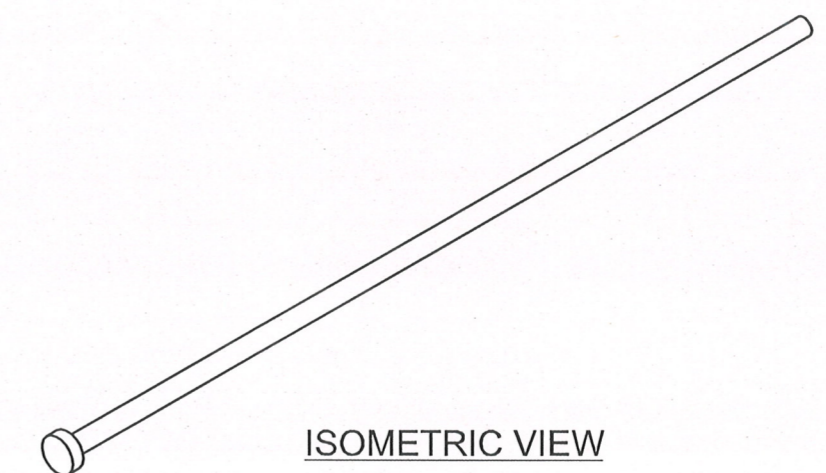
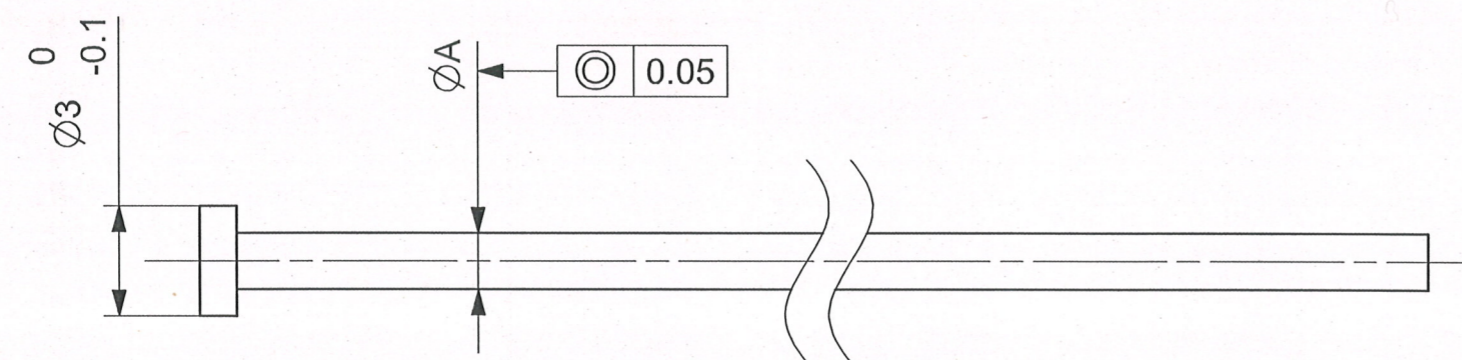
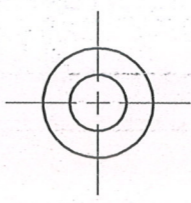
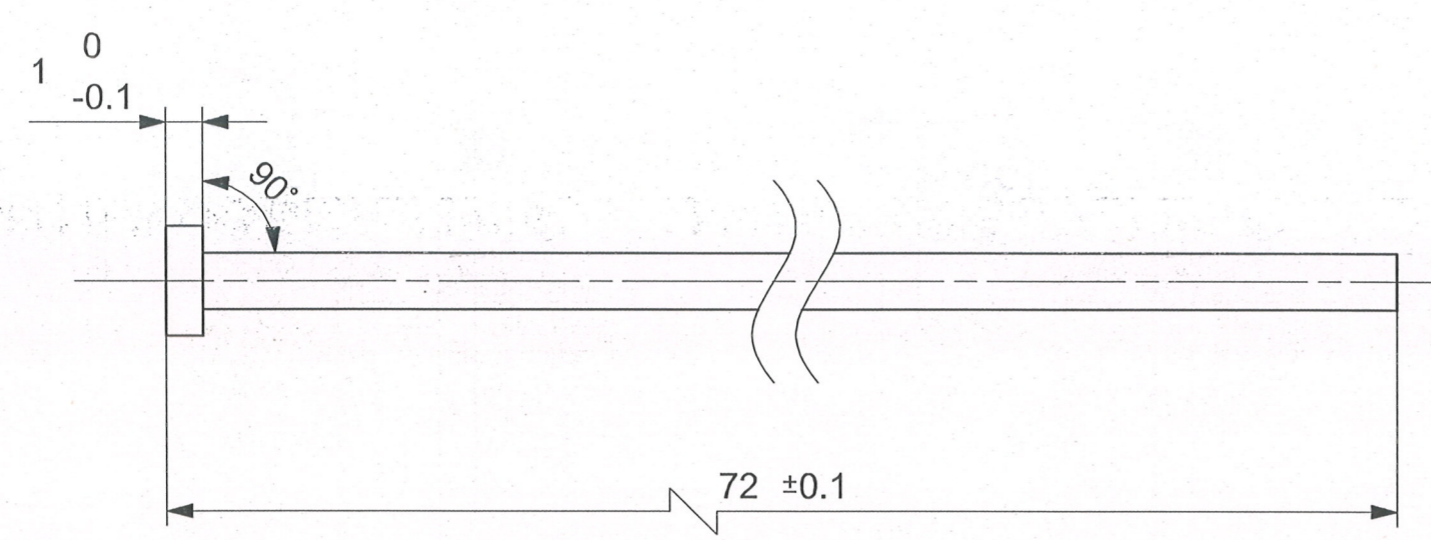


D. A. NO.



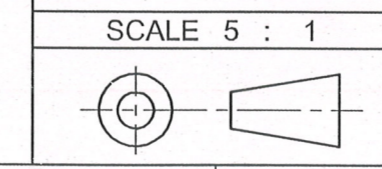
ISOMETRIC VIEW  
(SCALE 2:1)

DIMENSIONS		
	AFTER MACHINING	AFTER CHROMIUM PLATING
DIA 'A'	Ø1.55-0.03	Ø1.54+0.02

MATERIAL:- STEEL BS:970 Pt.1:1983 Gd.655M13 OR En-36  
CLEAN STEEL AOD/VOD/ESR SHOULD BE USED

PROTECTIVE FINISH:- HARD CHROME PLATING

REVOLVER.32 (7.65 mm) SIDE SWING  CENTER PIN ROD	DESIGNED BY	<i>A.S.RANA</i> A.S.RANA
	CHECKED BY	<i>JWM/DDO</i> JWM/DDO
	APPROVED BY	<i>WM/DDO</i> WM/DDO
	DATE	29.06.2019



**SMALL ARMS FACTORY**  
**KANPUR**

DRAWING NO.	RV-04/3 SW
SHEET	1 OF 1

DIMENSIONS ARE IN MM.

A3