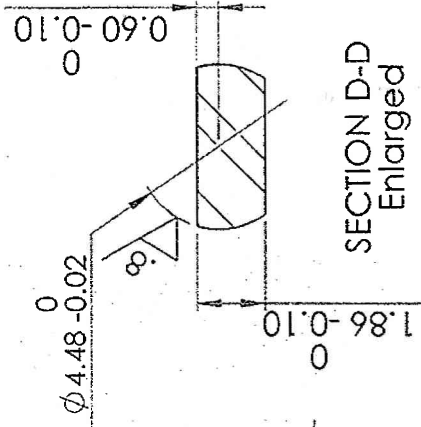
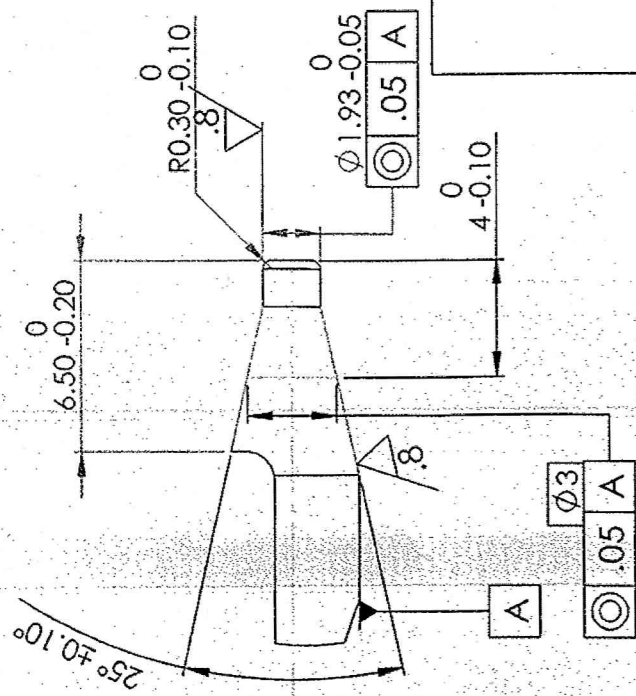


CERTIFIED CORRECT COPY  
 OF APPROVED DRAWINGS  
 AT THIS DATE: 02 JUN 2018  
 Ordnance Factory,  
 Tiruchirappalli-620016



Material : Steel BS:970 Pt.1 1983 Gr.817 M40(En24)  
 (or) Steel BS:970 Pt.1 1983 Gr.826 M31(En25)  
 (or) Steel BS:970 Pt.1 1983 Gr.826 M40(En26)

Hardness: 425-500 HV

Protective Finish :  
 Phosphating to Specn.  
 JSS: 0465-01-1994 Class II Oil Finish

SIGNATURE & DATE.	TRACED	SUB: <b>Firing Pin</b> (With out chrome Flash)	SCALE
	DRAWN		NTS
CHECKED	OIC/D&DO	FOR: Bolt Assy	QPG
OFFICER/ PRODN.	OFFICER/D&DO	OF: TRICHY ASSAULT RIFLE	1
APPROVED ON. 27/04/2018	APPROVED ON. 27/04/2018	DES.REF.NO. K-2015	Weight (g)
		DRG. No.: TEND-2571	4.93
		ORDNANCE FACTORY TIRUCHIRAPPALLI-16.	

DETAIL A  
 enlarged