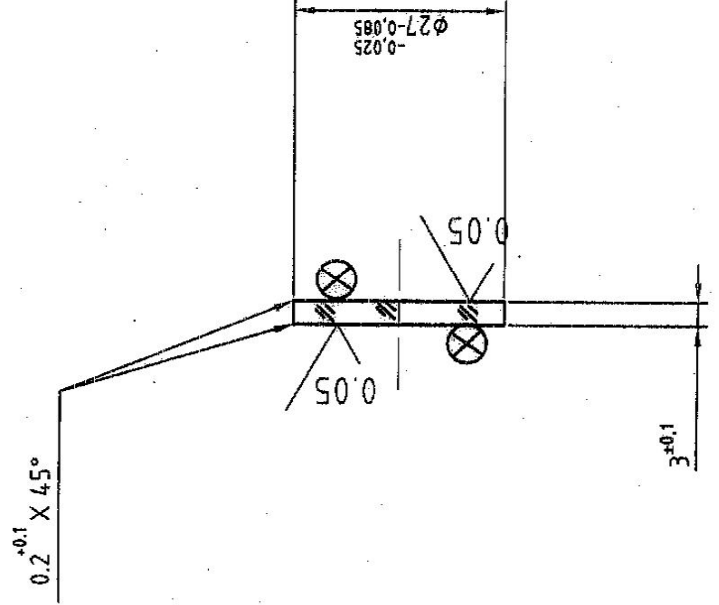


MATERIAL :-	GLASS BK-7 GOST 3514 :76	TREATMENT :-
SURFACE FINISH:	2.5 ∇ (\checkmark)	PROTECTIVE FINISH :-

N	3
∇ N	0.5
Q	0.02
P	IV
CLEAR APERTURE	ϕ 25.5



270918

ऑप्टिकल डेटा
FOR TRADE ONLY


QTY. 01

NOTE :- 1. ALL DIMS. ARE IN MM
2. \otimes ANTI REFLECTION COATING λ 540 \pm 50nm

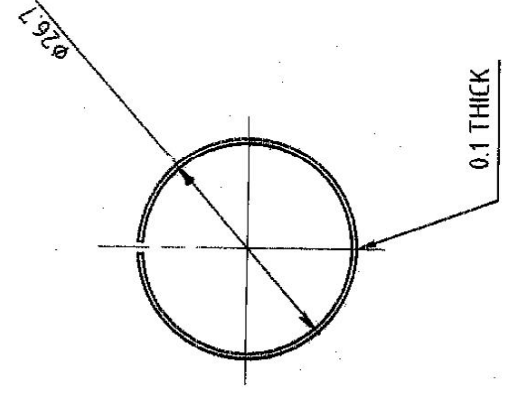
D.A.No.		DT./SIGN	DESCRIPTION	AMENDMENTS	
AWM/R&D		NAME	DATE	APPROVED	
HOS		NAME	DATE	M/YR.	
CHECKED		NAME	DATE	4/07	
DRAWN		NAME	DATE	16/4	
2007		GEN. TOL. IS 2102-m (PT.-I)	RED DOT SIGHT	TITLE	
COMPT. No.		ASSY. DRG.	RED DOT SIGHT	OPTO ELECTRONICS FACTORY	
				DEHRADUN	
				WINDOW	
				REF. M	
				DRG.No. OLF/R&D/RDS/001.01.10	
				SCALE: 1:1	
				SHTS. 16 SHT. No. 12	

MATERIAL: - SHEET ST. STEEL IS : 6911-92
Gr. X 07 Cr 18 Ni 9

TREATMENT -

SURFACE FINISH: 

PROTECTIVE FINISH :-



270918
~~270918~~
 FOR TRADE ONLY

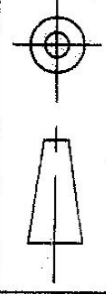
DEVELOPED LENGTH 71 MM.

(U) ALTERNATE MATERIAL :- SPRING STEEL SHEET 0.1mm THICK Gr 80C6, IS: 2507-75
 (V) COATING :- CHEMICAL OXIDATION BLACK.

No. OFF - 01

ITEM	DESCRIPTION	Ng. OFF	MATERIAL	REMARKS
LIST OF PARTS				
COMPT. No.	ASSY. DRG.	OPTO ELECTRONICS FACTORY DEHRADUN		
2007	RED DOT SIGHT	TITLE		
DRAWN	GEN. TOL. IS 2102-m (Pt. - I)	REF.		
CHECKED	A4	16.4	M 1	
HOS	9/24/04	16.4	SPRING (STRIP)	
AWM/R&D	NAME	DATE	DRG. No. OLF/R&D/RDS/001.01.06	
	M/Yr.	16.4	SCALE: 1:1	
	APPROVED	4/07	SHTS. 15 SHT. No. 08	
D.A.No.		AMENDMENTS		
DT./SIGN		DESCRIPTION		
21/7/15		ALTT. MATERIAL & COATING ADDED.		

DO/DA/94/15
 JEGM/QC
 21/7/15
 ALTT. MATERIAL & COATING ADDED.

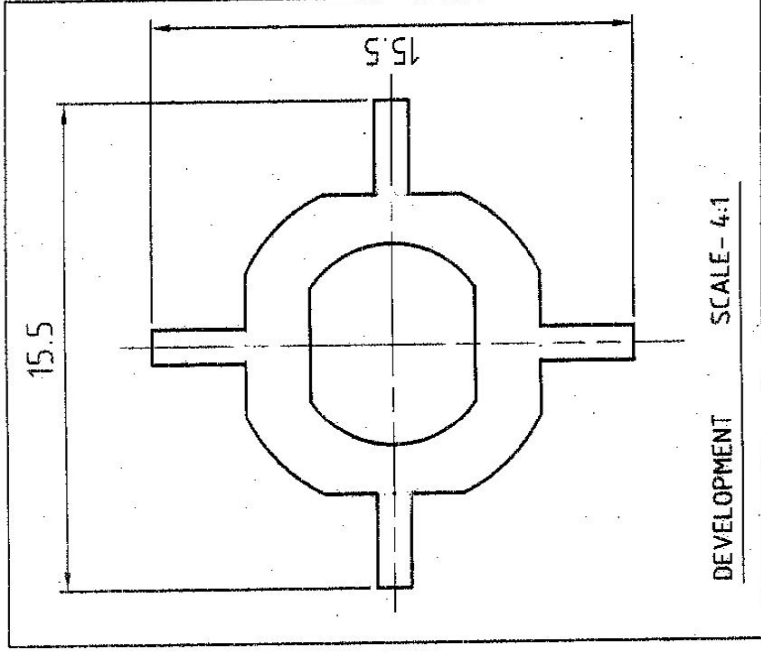
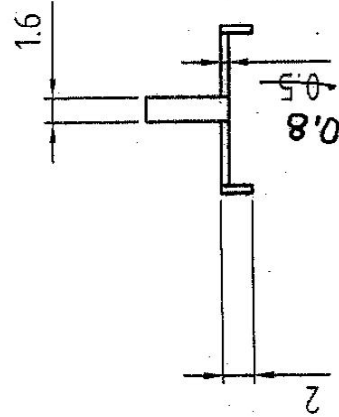
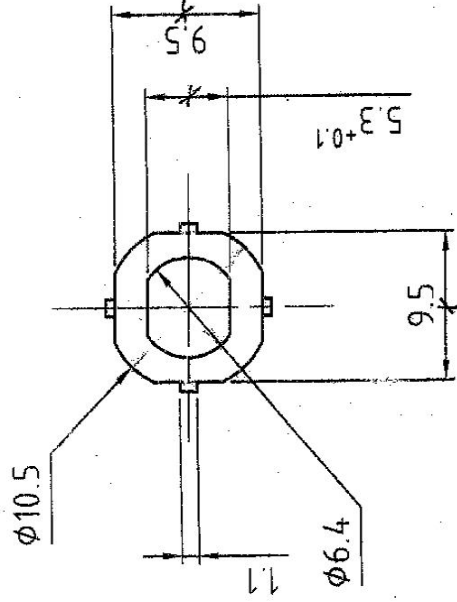


MATERIAL - SHEET ST-STEEL IS 6603 : 01
Gr X 20 Cr 13

TREATMENT - MRC 40 - 45

SURFACE FINISH: ▽

PROTECTIVE FINISH :-



270918

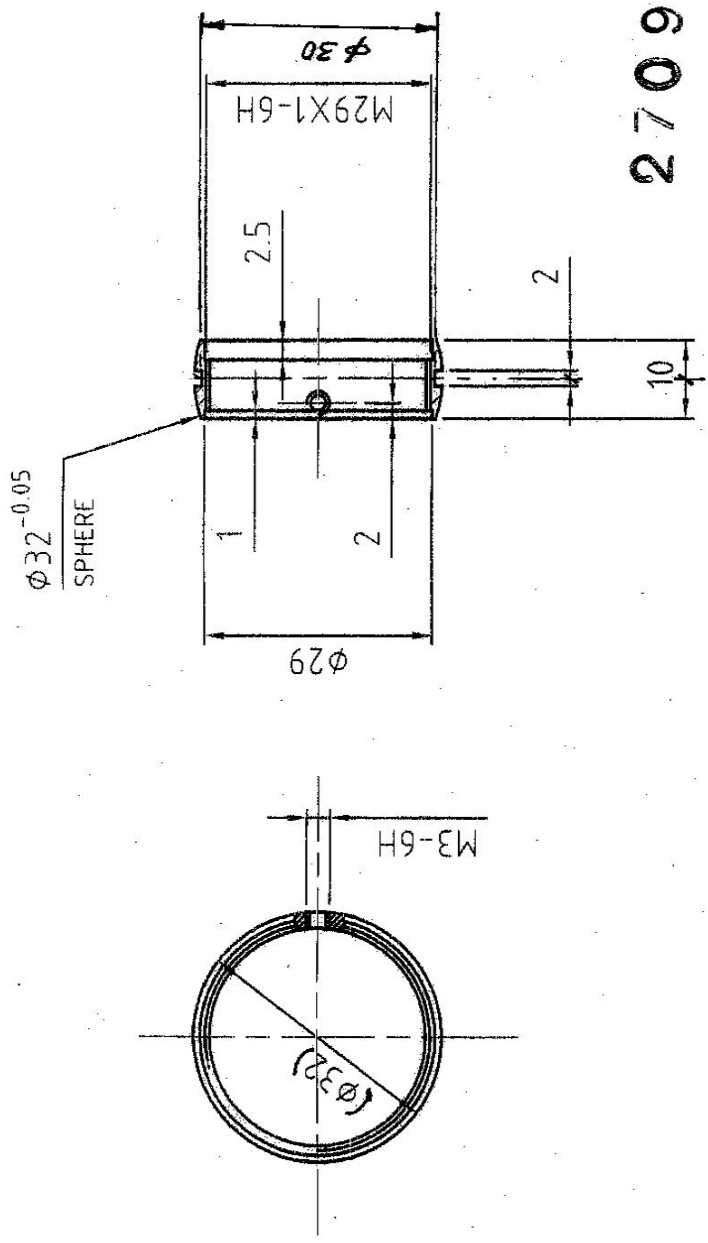
FOR TRADE ONLY

QTY-1

DEVELOPMENT SCALE- 4:1

ITEM	DESCRIPTION	No. OFF	MATERIAL	REMARKS
LIST OF PARTS				
COMPT. No.	ASSY. DRG.	TITLE		
	RED DOT SIGHT	OPTO ELECTRONICS FACTORY DEHRADUN		
2007	GEN. TOL. IS 2102-m (Pt.-1)	TITLE		
DRAWN	16/4	REF.		
CHECKED	16.4	M1		
HOS	16.4	DRG.No. OLF/R&D/RDS/001.05.02		
AWM/ R&D	NAME	SCALE: 2:1		
	DATE	SHTS: 18 SHT. No. 05		
	M/Y.	DATE		
	4/07	M/Y.		
APPROVED				
AMENDMENTS				
D.A.No.	DT./SIGN	DESCRIPTION		
DA/78/2012	26/5/012	DIMN. 0.8 WAS 0.5		

MATERIAL: - TEFLON	TREATMENT: _____
SURFACE FINISH: ∇	PROTECTIVE FINISH: _____



270918
 एप्टर हिंग
 FOR TRADE ONLY

(i) ALTERNATE MATERIAL:- FLURO PLASTIC IS; HIFLON-71

No.OFF-01

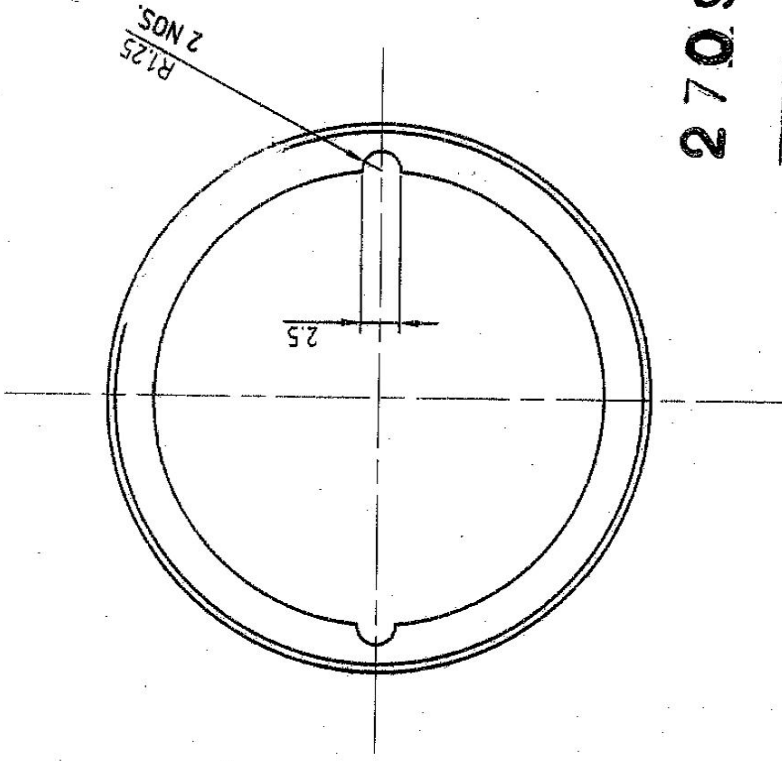
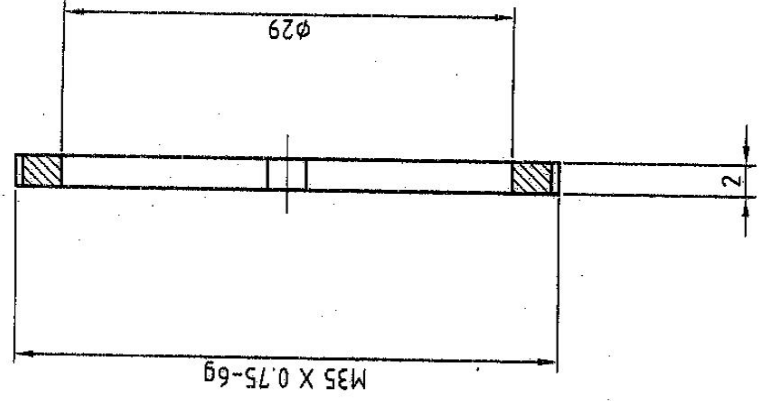
ITEM	DESCRIPTION	No. OFF	MATERIAL	REMARKS
LIST OF PARTS				
COMPT. No.	ASSY. DRG.	OPTO ELECTRONICS FACTORY DEHRADUN		
2007	RED DOT SIGHT	TITLE THREADED RING (TEFLON)		
DRAWN	GEN. TOL. IS 2102-m (Pt.-1)	REF. M1		
CHECKED	16.4	SCALE: 1:1		
HQS	16.4	SHTS. 16		
AWM/R&D	DATE	SHT. No. 05		
	M/YC.			
	4/07			
APPROVED				
AMENDMENTS				
D.O/A/95/IS	DT./SIGN	DESCRIPTION		
		J-EGM/DO 24/7/15 ACT/MATERIAL ADDED.		

MATERIAL: - AL ALLOY IS:733 :83 GR 24345(WP)

TREAT MENT

SURFACE FINISH: VV

PROTECTIVE FINISH - ANODIC OXIDATION BLACK



270918
 OPTO ELECTRONICS
 FOR TRADE ONLY

No.OFF-01

ITEM	DESCRIPTION	No. OFF	MATERIAL	REMARKS
LIST OF PARTS				
COMPT. No.	ASSY. DRG.	OPTO ELECTRONICS FACTORY DEHRADUN		
2007	RED DOT SIGHT	TITLE		
DRAWN	GEN. TOL. IS 2102-m (Pt.-1)	REF. M		
CHECKED	16-4	THREADED RING		
HOS	16.4	DRG.No. OLF/R&D/RDS/001.01.05		
AWM/R&D	DATE	SCALE: 2:1		
	M/Yr.	SHTS: 16		
	4/07	SHT. No. 07		

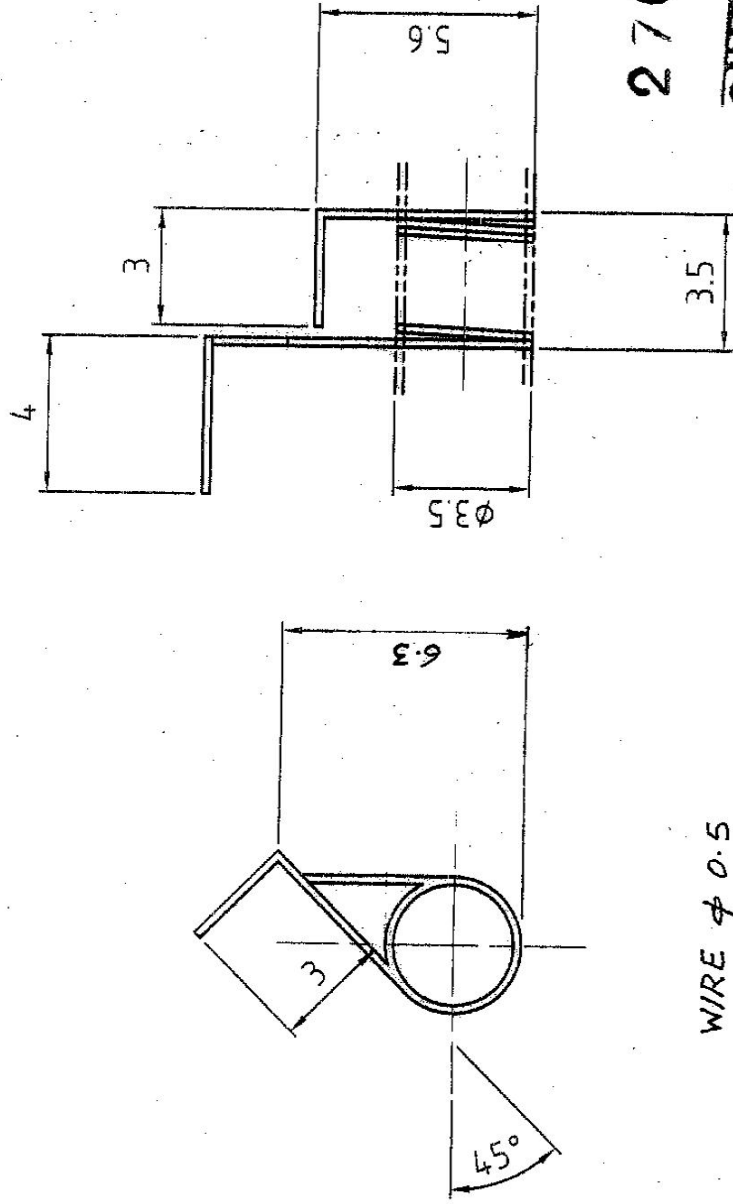
AMENDMENTS	
D.A.No.	DESCRIPTION

MATERIAL: - X 07 Cr 18 Ni 9 (Gr.1)
 IS:4454(Pt-4):2001

TREATMENT -

SURFACE FINISH:

PROTECTIVE FINISH -



270918

WIRE ϕ 0.5
 No. OF COILS - 7

ऑप्टो इंग
 FOR TRADE ONLY

(1) [ALTT. MATERIAL:- SPRING STEEL WIRE Gr. SM IS: 4454 (Pt-I)2001.
 (2) [COATING:- ZINC PLATING

QTY-02

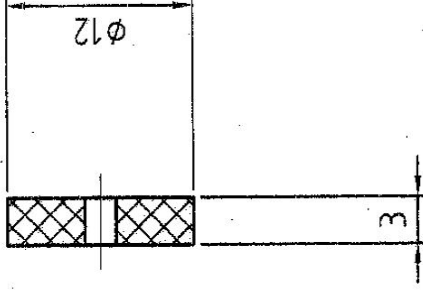
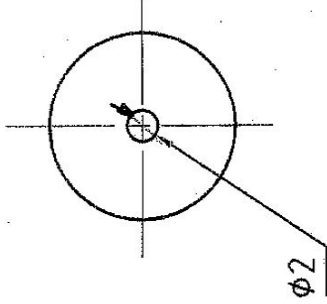
ITEM	DESCRIPTION	No. OFF	MATERIAL	REMARKS
LIST OF PARTS				
COMPT. No.	ASSY. DRG.	TITLE		
2007	RED DOT SIGHT	OPTO ELECTRONICS FACTORY DEHRADUN		
DRAWN	GEN. TOL. IS 2102-m (Pt.-1) A 3/2	16-4	REF. M1	
CHECKED	9/26/05	16-4	TORSION SPRING	
HOS	21/01/05	16-4	DRG.No. OLF/R&D/RDS/001.02.04	
AWM/R&D	NAME [Signature]	DATE 4/07	SCALE: 5:1	SHTS. 06 SHT. No. 06
APPROVED				
AMENDMENTS				
D.A.No.	DT./SIGN	DESCRIPTION		
22. D.O/DA/94/IS	[Signature]	ALTT. MATERIALS & COATING ADDED		

MATERIAL: - FOAM SHEET (BLACK)

TREATMENT -

SURFACE FINISH: ▽

PROTECTIVE FINISH -



270918

ऑप्टिक हेतु
FOR TRADE ONLY

ALT. MATERIAL: N. RUBBER COMPOUND IS: 5192
Pt. 1: 1994 Gr. Z-50

QTY-1

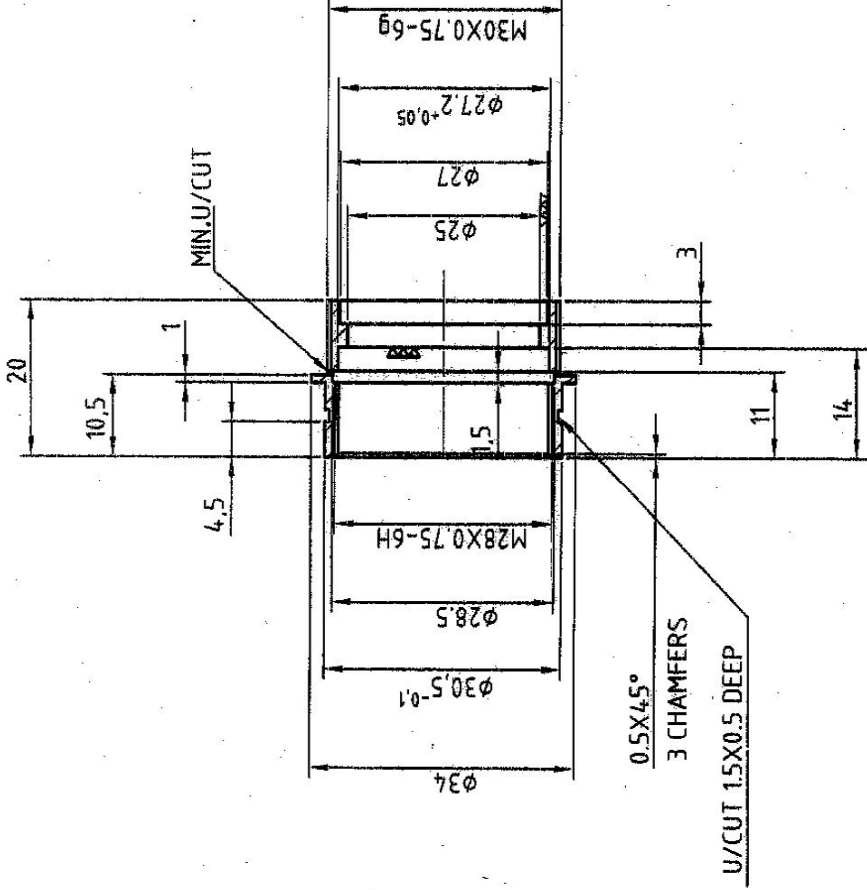
ITEM	DESCRIPTION	No. OFF	MATERIAL	REMARKS
LIST OF PARTS				
COMPT. No.	ASSY. DRG.	OPTO ELECTRONICS FACTORY		
	RED DOT SIGHT	DEHRADUN		
2007	GEN. TOL. IS 2102-m (Pt.-1)	TITLE		
DRAWN	AS, 16/4	WASHER		
CHECKED	16.4	REF.		
HOS	16.4	M		
	NAME	DRG.No. OLF/R&D/RDS/001.05.06		
	DATE	SCALE: 2:1		
AWM/R&D	M/Yc	SHTS. 16		
	APPROVED	SHT. No. 09		
AMENDMENTS				

MATERIAL: ALLOY IS 735 : 83 GR 24345 (WP)

TREATMENT: T6

SURFACE FINISH: $\nabla\nabla$ ($\nabla\nabla\nabla$)

PROTECTIVE FINISH: ANODIC OXIDATION BLACK



270918

देवराज हॉल
FOR TRADE ONLY

QTY. 01

COMPT. No.		ASSY. DRG.	OPTO ELECTRONICS FACTORY DEHRADUN	
RED DOT SIGHT		TITLE		
2007	GEN. TOL. IS 2102-R (PT. -1)	WINDOW HOLDER		
DRAWN	16/4	REF. M1		
CHECKED	16.4	DRG.No. OLF/R&D/RDS/001.01.08		
HOS	16.4	SCALE: 1:1		
NAME	DATE	SHTS. 16		
AWM/R&D	M/YR.	SHT. No. 10		
APPROVED				
DESCRIPTION		AMENDMENTS		