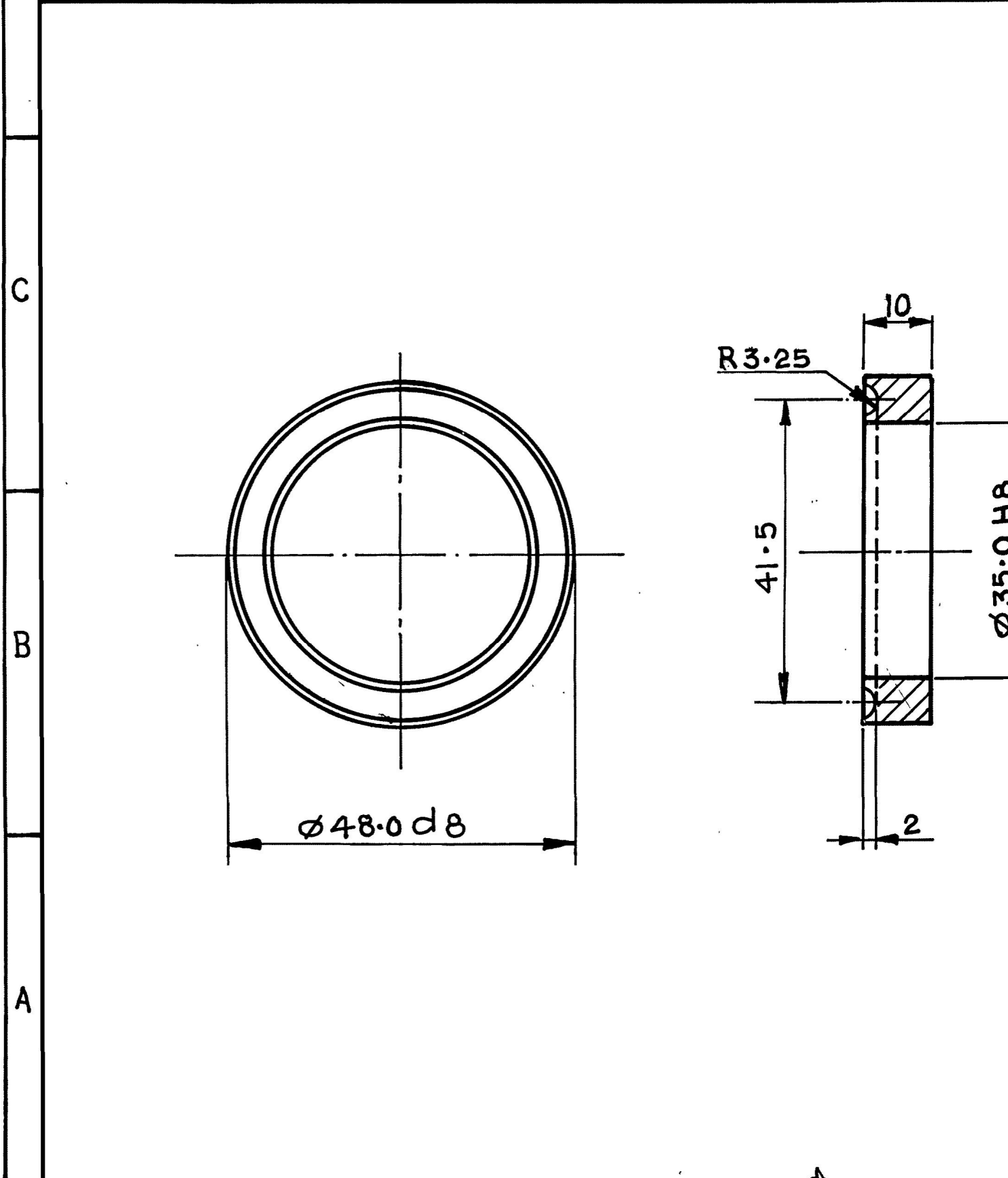


4	3	2	1
DS CAT No.	FOR EXPLANATION OF DIMENSIONING, ETC; SEE ARDE NOTE SHT No 1 DIMENSIONS ARE IN mm.		
3040-016131			

Ø 48.0 d8	-0.080 -0.119
Ø 35.0 H8	+0.039 0
NOM. SIZE & FIT	DEVIATION



22/05	18897-W	NOMEN AND DS CAT No AMENDED			
12/03	18819-W	HINDI NOMEN ARDED			
13-11-97		RETRACED WITHOUT CHANGE			
		PREVDC Nos 15961-W & 16095-W/DT 23-12-83			
DATE	AUTHORITY	ZONE	NATURE	SIG AHSP	SIG DO
AMENDMENTS					
DRG SEALED:- DC No. 16095-W DATED 23-12-83 DO CQA(w)					
SCALE:- 1:1		ESTD. Mass:-		DATE:- 15-1-67	
MATL:- BS: 2874 PB102 OR BS: 1400 PBI CONTINUOUS CAST					
ASSY DRG:- 1015-000566					
COLLAR SHAFT			कॉलर शाफ्ट		

CQA(W) JABALPUR	
DRN:-	CHD:-
TCD:- <i>RK Thakur</i>	CHD:- <i>Braja</i>
<i>Daddi</i> CHIEF D'MAN	DO
AHSP	
FOR CQA(w)	
DESIGN No. D6P-230404	
PART No. IFL 7386	
D.S CAT No. 3040-016131	