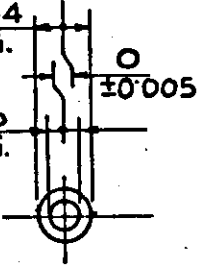
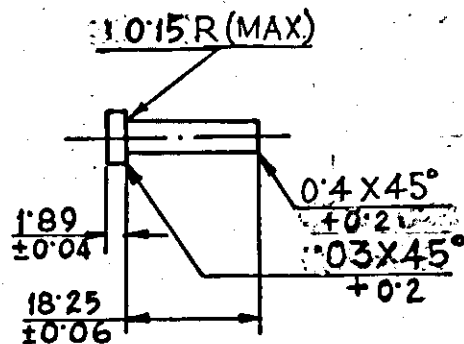


	1	2	3	4	5	6	7	8	9	10	11	12	13	14	15	16
A																
B																
C																
D																
E																
F																
G																
H	<p>6.965 <math>\phi</math> <math>\pm</math> 0.04 AFTER ANODIZING.</p> 															
I	<p>4.97 <math>\phi</math> <math>\pm</math> 0.035 AFTER ANODIZING.</p>															
J																
K																
L																



**MATERIAL:-**

BS 1474-1987 DESIG. 2014 AT6

**HEAT TREATMENT:-**


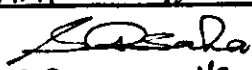
MIN. 110 HB (10/500) (130 HV)

**PROTECTIVE FINISH:-**

ANODIZING AND DYING.

**160**  
EVERYWHERE.

25365 SA	16.05.2002	RECORD OF RECEIPT CANCELLED AND ORG. SEALED AFRESH.	DMC
23246 -SA	2-2-96	SYMBOL/DIMENSION INDIGENISED FROM COUNTRY OF ORIGIN. SYMBOL/DIMENSION & MATE AMENDED NOTE FOR MACROETCH TEST DELETED	DAC
22284 SA	24-9-93	NOTE FOR MACRO ETCH TEST & NMIR TEST ADDED	LT.COL.
21902 -SA	11-8-92	DS CAT No. ADDED IN ASSY. COL. & NOMENCLATURE AMENDED.	MAJ
21882 -SA	28.7.92	NEG. RE-TRACED & RE-SEALED AS A RECORD OF RECEIPT.	MAJ.
		PREVIOUS DC (I) NOS. 15892-SA, 16601-SA, 16887-SA, 17042-SA, 21882-SA.	COPY

AUTHY	DATE	ZONE	BRIEF RECORD.	SIG.	ASSY. DS CAT NO.	CQA(SA). ICHAPUR
			DATE	NAME	1005-006847	
			DGN.		MATERIAL:- AS STATED.	
			DRN.		DIMENSIONS ARE IN MILLIMETRES	APPROVED. DT.
			CHD.		PIN, STRAIGHT HEADED	(NEG. RE-TRACED)
			TRD.	10.7.92		DRG. NO. A 1394
			COMP.	11.7.92		PART NO. 106.
			 DT. 28.7.92 VC. DO.			DS. CAT. NO.
			SCALE:- 1:1			5315-001537
			SEALED. DC. NO.			
			-25365-SA			
			DT. 16-05-2002.			