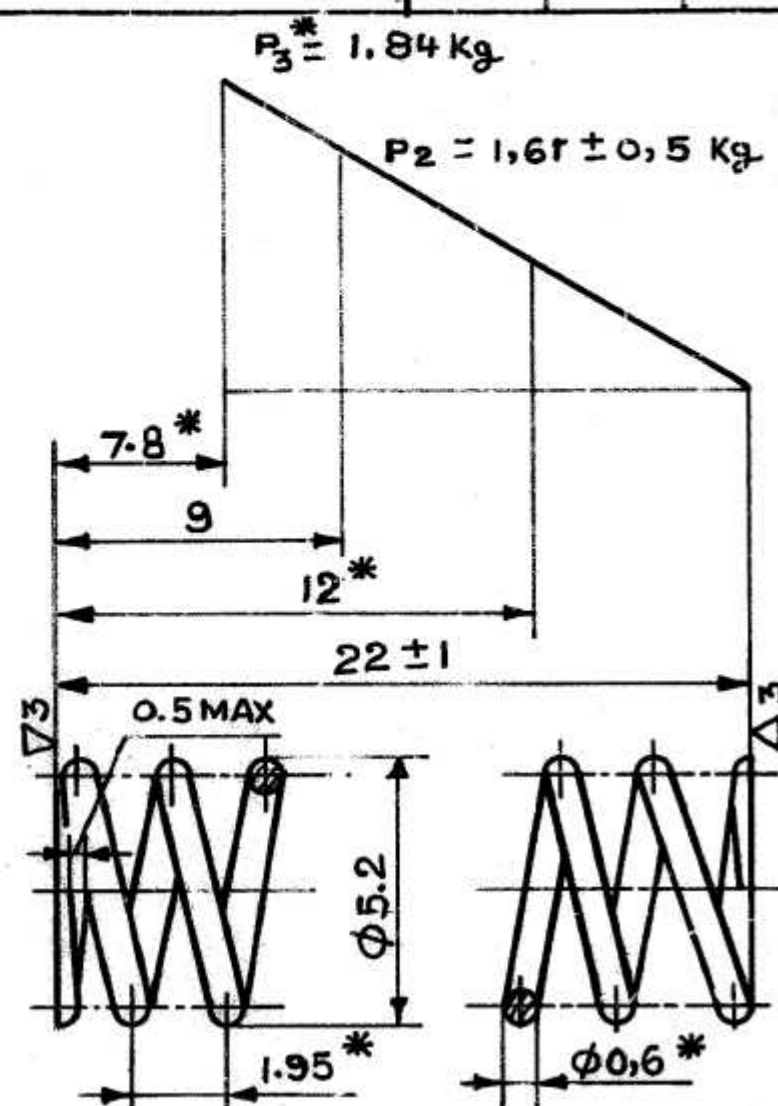


PART No.

DIMENSIONS ARE IN mm.

~ UNLESS OTHERWISE SPECIFIED.

2A20-02-35



NUMBER OF OPERATING COILS	□	11
TOTAL NUMBER OF COILS	□	13 ± 0.5
DIRECTION OF COILING OF SPRING	-	RIGHT HAND
DIAMETER OF TEST SLEEVE	□ _s	5.5A7
LENGTH OF STRAIGHTENED SPRING.	L mm	190
SHEAR MODULUS	G $\frac{Kg}{mm}$	8200

जांची गई सही प्रति
CERTIFIED CORRECT COPY OF
मुद्रित रेखाचित्र की
SEALED DRAWING AS ON

कृते निम्नक गुणता
FOR CONTROLLER OF QUALITY
आश्वासन (क वा मा) आवडि चेन्नै 54
ASSURANCE (AVA) AVADI CHENNAI, 54

NOTES:-

1. WIRE 0.6 GOST 9389-75.
2. BLUNT THE ENDS OF SPRING.
3. TORSION STRESS WHEN COILS, CONTACT $T_M = 98 \text{ Kg/mm}^2$.
4. COATING: CHEMICAL PHOSPHATING, HASTENED, CHROMIUM. ADHESIVE $5\phi - 4$ OR $5\phi - 2$ WITH NIGROSINE, BLACK, (3 LAYERS).
5. * DIMENSIONS AND PARAMETERS FOR REFERENCE.
6. OTHER TECHNICAL REQUIREMENTS AS PER GOST 16118-70 GROUP II.
7. TEST BY COMPRESSION FOR 12 HOURS.

ALT MATL:-

STEEL WIRE GRADE 3 TO IS:4454 Pt 1-81.

11.7.12	0091-AVA	ALT.MATL.ADDED(FOR T-90)	
19.12.08	0029-AVA	DS CAT No. ADDED	
22-10-03	18814-W	HINDI NOMEN. ADDED.	
5-6-92		RETRACED WITHOUT CHANGE	
		PREV DC(I) No. 16313-W, 17068-W & 17222-W Dt 14-2-92	
DATE	AUTHORITY	ZONE	NATURE

DRAWN:-	CHD:-	ASSY DRG:-
TRACED:- SRSINGH	CHD:- P. S. S.	DATE:-
FOR CHIEF MAN	DO FOR CQA(W)	SCALE:- 1:1
		ESTD MASS:- 0.001

ID = 191
01-02-01

C.Q.A(AVA)AVADI



AMENDMENTS			
DRG SEALED:- PROV DC(I) No. 17268-W Dt 7-5-91 DO CQA(W)			

MATERIAL:- STEEL WIRE II GOST 9389-75
PROTECTIVE FINISH:-

DESIGN No.

PART No.
2A20-02-35DS CAT No.
5360-002355

SPRING स्प्रिंग