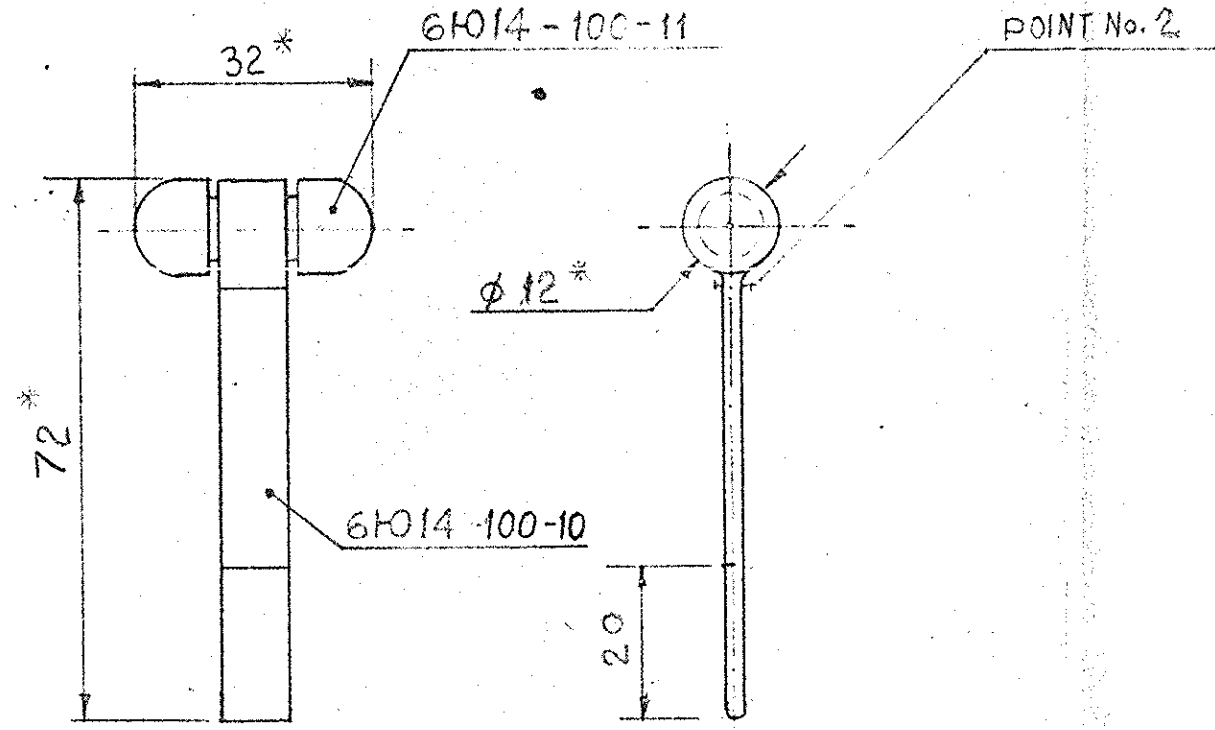


DRAWING CONVENTIONS CONFORM TO 696.



* DIMENSIONS FOR REFERENCE.
 COTTON SEWING THREAD "SUPER STRONG" 107, GLOSSY
 No. 0, GOST 8309-80.
 THE REST OF REQUIREMENTS ARE AS PER 6011
 SPECIFICATION.

MATERIAL FOR INDIA:-

SEWING THREAD COTTON 270
DTEX X9V NO. 35 TO SPECN. IS: 1720-78

4-9
5

CERTIFIED COPY OF THE STORE
 DRO/GAUGE BRO/SCHEDULE/
 NOTE SHEET/SPECIFICATION
 COA(SA) ICHAPUR
 DATE: 26/98

						DATE	NAME	ASSY. 6H014C6100-105	COA(SA) ICHAPUR
						DGN.			
						DRN.	SV/104	MATERIAL:-	
						CHD	5-10-91		
						TRD.		DIMENSIONS ARE IN MILLIMETRES	
						COMB.			
							24.9.90/E, D.O.		APPROVED
							SCALE 8-181		DT 24.9.90 FOR COA(SA)
							SEALED:- PROV.		DESIGNER'S REF.
									6H014C6 100-4C6
									DS.CAT.No.

No. 21422-
SA 5.10.91
20964-24-10

SEWING MATERIAL
 FOR INDIA ADDED
 DRAWING SEALED
 Lt. Col

FAST ENER

APPROVED
 DT 24.9.90 FOR COA(SA)
 DESIGNER'S REF.
 6H014C6 100-4C6
 DS.CAT.No.