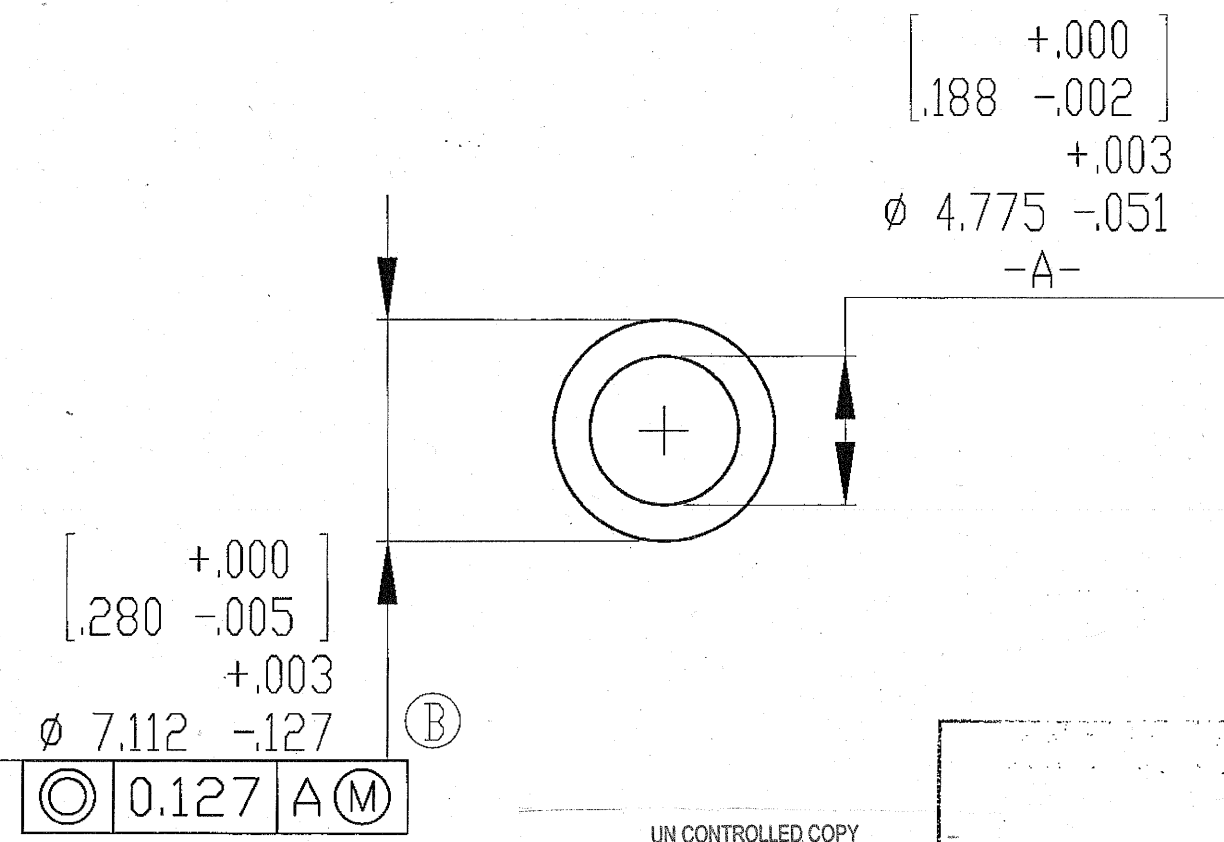
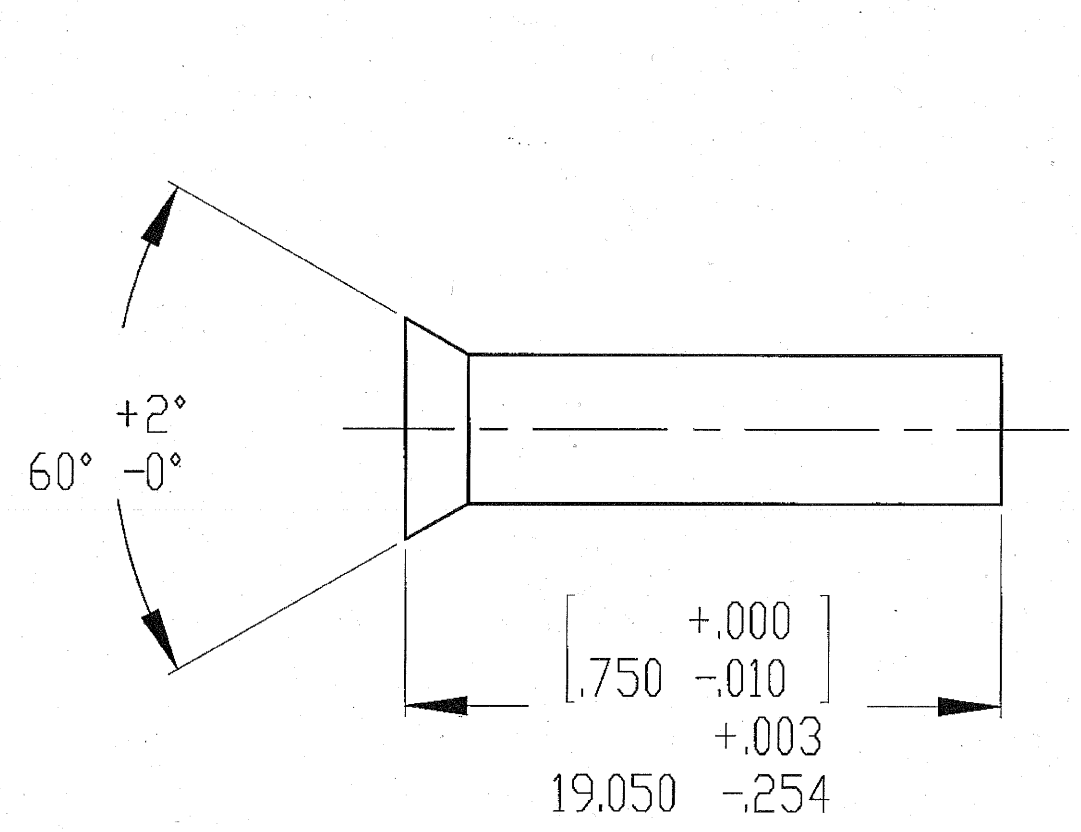


M-1223

REVISIONS				
ZONE	REV.	DESCRIPTION	DATE	APPROVED
	A	CREATE DRAWING	2/12/2008	J. HERSHBERGER
	B	CHANGED TOLERANCE FROM +.00/-0.01 TO +.000/-0.005	7/9/2012	BAM



NOTES:

- BREAK EDGES 0.076 + 0.305 UNLESS OTHERWISE SPECIFIED.
- ASME Y14.5M-1994 APPLIES.

PROPRIETARY AND CONFIDENTIAL
 THE INFORMATION CONTAINED IN THIS DRAWING IS THE SOLE PROPERTY OF OHIO ORDNANCE WORKS, INC. ANY REPRODUCTION IN PART OR AS A WHOLE WITHOUT THE WRITTEN PERMISSION OF OHIO ORDNANCE WORKS, INC. IS PROHIBITED.

UNLESS OTHERWISE SPECIFIED: DIMENSIONS ARE IN MM/[INCHES] ALL THREAD DIM. ARE IN INCHES TOLERANCES: FRACTIONAL ±0.015 ANGULAR: MACH ±0.5° TWO PLACE DECIMAL ±0.25 THREE PLACE DECIMAL ±0.076	NAME	DATE
	DRAWN	HERSH 02/12/08
	CHECKED	
	ENG APPR.	
	MFG APPR.	
INTERPRET GEOMETRIC TOLERANCING PER:	Q.A.	
MATERIAL	AISI 1018	
FINISH	DO NOT SCALE DRAWING	

UN CONTROLLED COPY
 CERTIFIED CORRECT COPY OF APPROVED DRAWINGS AT THIS DATE 29-09-2021
 DESIGN & DRAWING OFFICE
 ORDNANCE FACTORY, TIRUCHIRAPPALI - 620 016.
 24 AUG 2021
 For Code (AP)

OHIO ORDNANCE WORKS, INC.		
RIVET, BELT HOLDING PAWL BRACKET, OOW50BMG		
SIZE A	7266329	REV B
SCALE: 3:1	WEIGHT:	SHEET 1 OF 1