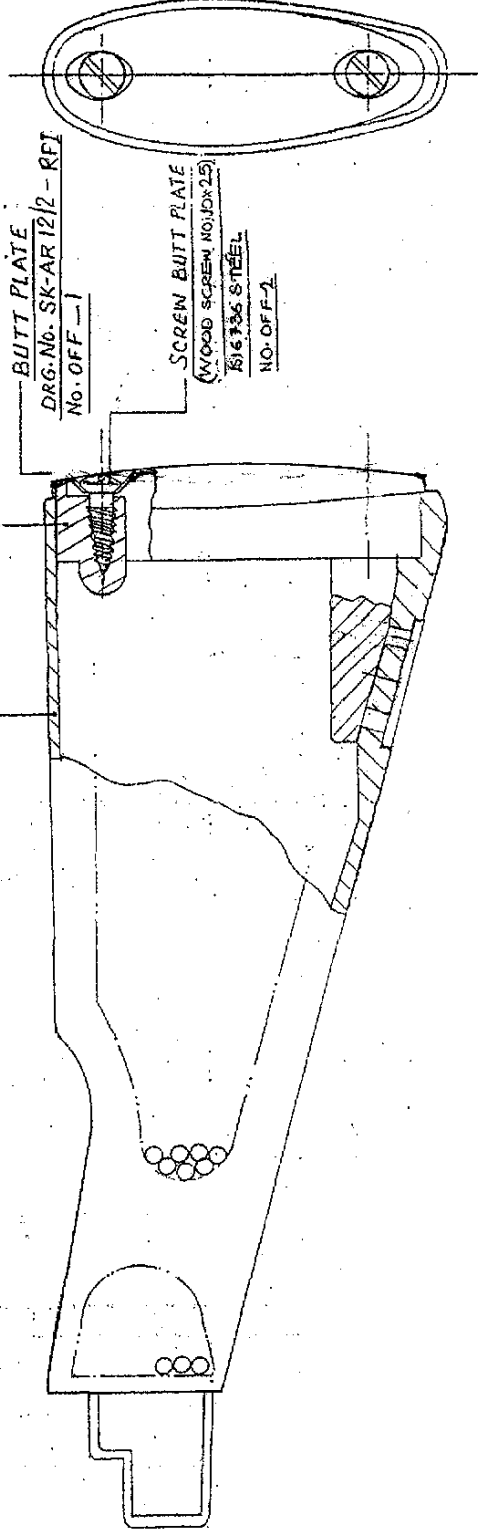


PROVISIONAL

BUTT (PLASTIC)  
DRG. No. SK-AR/12 - RFI  
No. OFF - 1

INSERT  
DRG. No. SK-AR 12|| \*  
No. OFF - 1



BUTT PLATE  
DRG. No. SK-AR12|2 - RFI  
No. OFF - 1

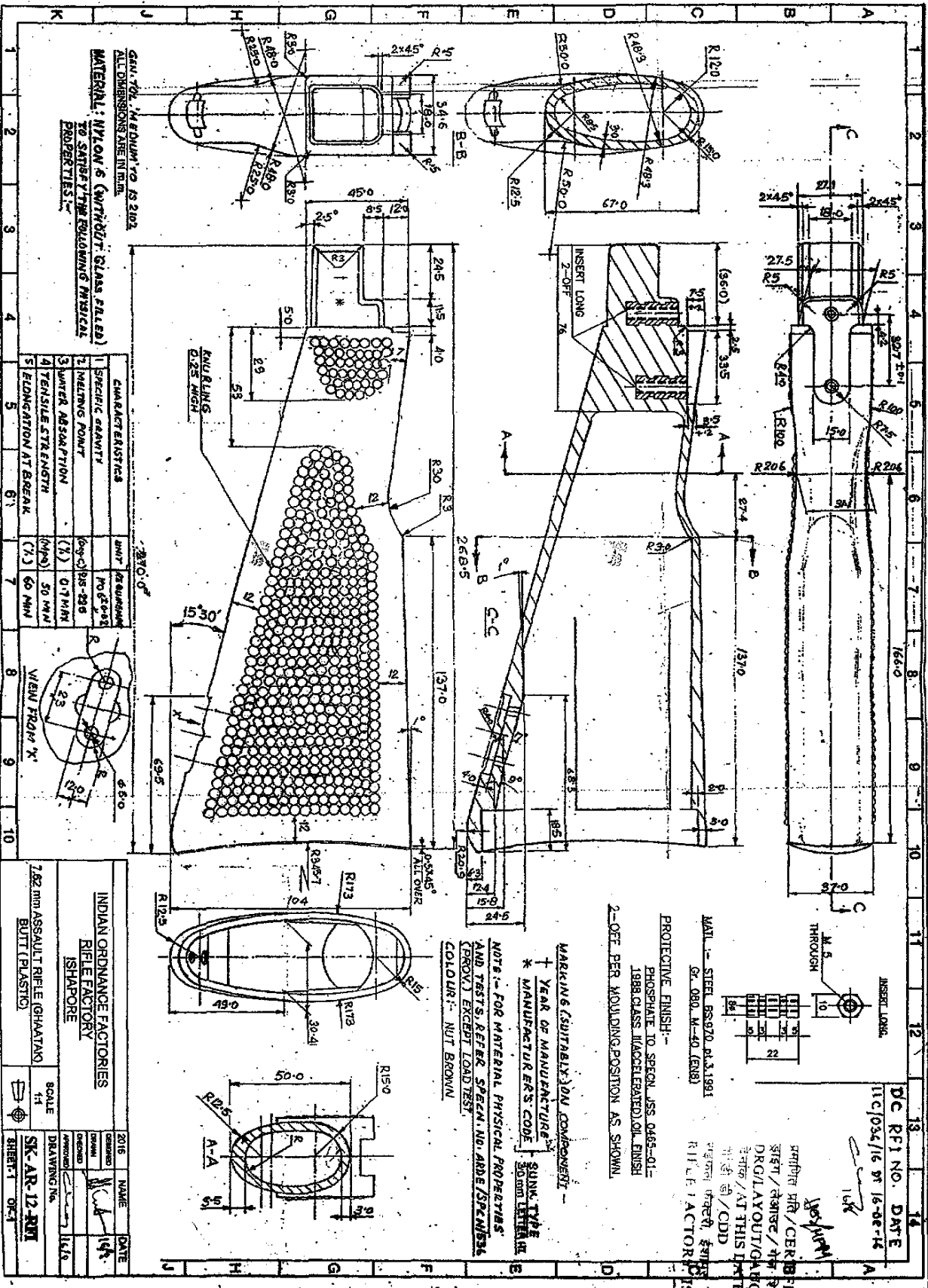
SCREEN BUTT PLATE  
(WOOD SCREW NO. JDX25)  
BIS 636 STEEL  
NO. OFF - 2

ALL DIMENSIONS ARE IN M.M.

हस्ताक्षर  
प्रमाणित / CERTIFIED COPY OF  
शरीर / शरीर / शरीर / शरीर  
शरीर / शरीर / शरीर / शरीर  
DRG/LAYOUT/GAUGE SCHEDULE  
शरीर / AT THIS DATE. 2017/10/10  
शरीर / शरीर / शरीर / शरीर  
शरीर / शरीर / शरीर / शरीर  
RIFLE FACTORY, ISHAPORE

NOTE: SAMPLE MUST BE APPROVED BEFORE BULK SUPPLY

INDIAN ORDNANCE FACTORIES RIFLE FACTORY ISHAPORE	2017	NAME	DATE
	DESIGNED	H. S. J.	20/10
	DRAWN		
	CHECKED		
FIXED BUTT SUB ASSY 7.62 mm ASSAULT RIFLE (GHATAK)	APPROVED		
	DRAWING NO.		
SCALE 1:1	SK. AR-12-SA-RFI		
	SHEET-1 OF-1		



GEN. VOL. MEDIUM TO IS 202  
 ALL DIMENSIONS ARE IN MM.  
 MATERIAL: NYLON 6 (WITHOUT GLASS FIBER)  
 TO SATISFY THE FOLLOWING PHYSICAL  
 PROPERTIES:-

CHARACTERISTICS	UNIT	REQUIREMENT
1. SPECIFIC GRAVITY	g/cm <sup>3</sup>	1.15-1.18
2. MELTING POINT	(°C)	240-260
3. WATER ABSORPTION	(%)	0.1 MIN
4. TENSILE STRENGTH	(MPa)	50 MIN
5. ELONGATION AT BREAK	(%)	60 MIN

INDIAN ORDNANCE FACTORIES	2016	NAME	DATE
RIFLE FACTORY			
ISHAPORE			

7.62 mm ASSAULT RIFLE (GHATTANO)	SCALE	1:1
BUTT (PLASTIC)		

DC REF NO. DATE  
 11C/034/16 on 16-08-15

PROTECTIVE FINISH:-  
 PHOSPHATE TO SPECN. ISS. 0465-01-  
 1988, CLASS II (ACCELERATED) OIL FINISH  
 2-OFF PER MOUNTING POSITION AS SHOWN.

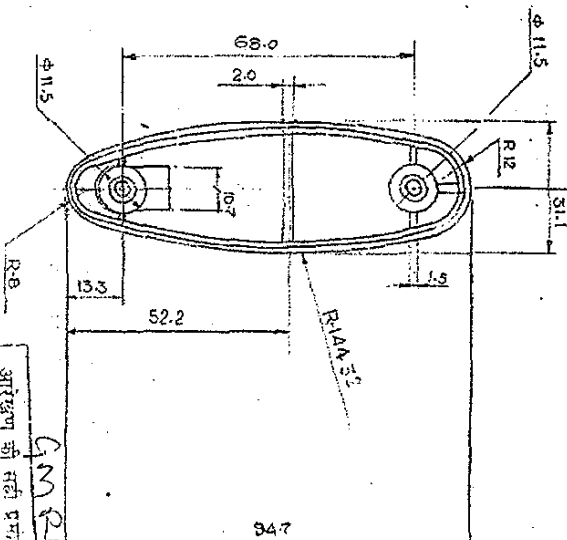
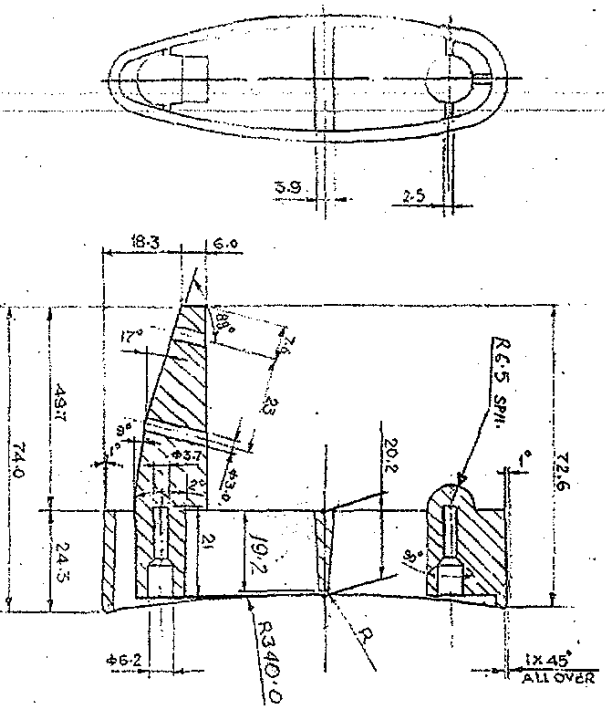
MAT. - STEEL BS970, P13, 1991  
 GR. 080, M-40 (EN8)

INDIAN ORDNANCE FACTORIES  
 RIFLE FACTORY  
 ISHAPORE

SCALE 1:1  
 SK-AR-12-RM  
 SHEET 1 OF 1

MARKING (SUITABLY ON COMPONENT) -  
 + YEAR OF MANUFACTURE  
 \* MANUFACTURER'S CODE

NOTE:- FOR MATERIAL PHYSICAL PROPERTIES  
 AND TESTS, REFER SPECN. NO. MADE/SPECN.53  
 (PROV.) EXCEPT LOAD TEST  
 COLOUR:- NUT BROWN



MATERIAL:- **PHENOLIC RESIN**

**NYLON-6**

*125/pun*

सहित मी, CERTIFIED COPY OF  
 ड्रांग/रेपर/दुबे मी  
 DRGM/ARTISAN/CADICE SCHEDULE  
 ड्रांग/ARTISAN/DATE 22/3/11  
 मी डी डी / CAD  
 मी डी डी / CAD  
 ड्रांग/रेपर/दुबे मी  
 ड्रांग/रेपर/दुबे मी  
 DIMENSIONS ARE IN MM.  
 KANPUR FACTORY, JHANSI WARE

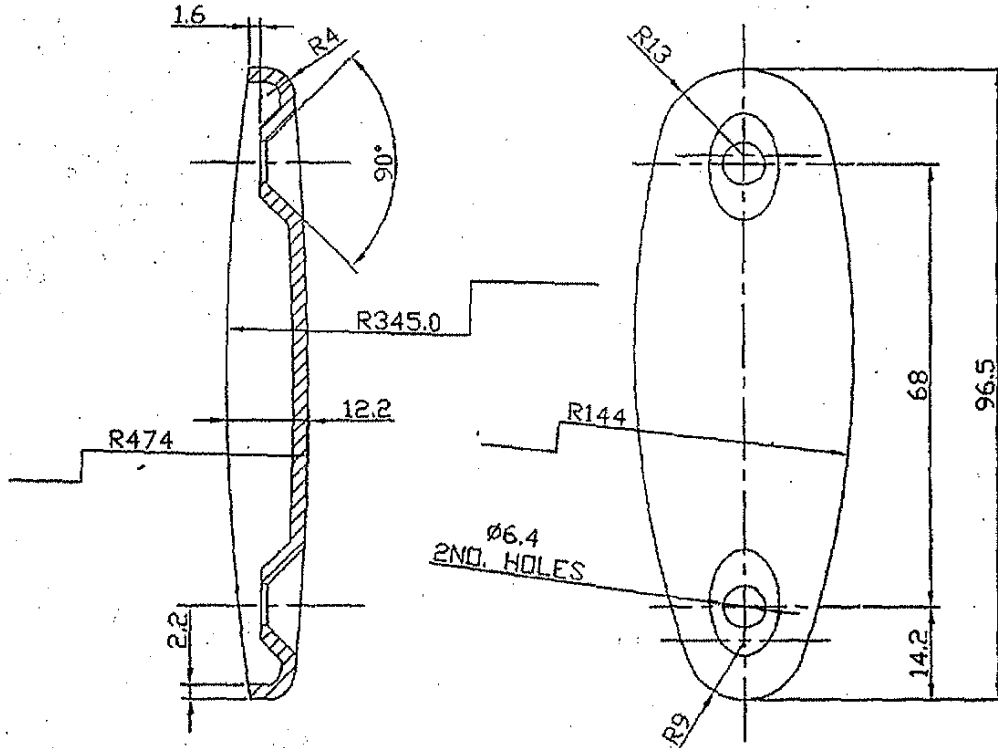
आपका मी मी मी  
 मी मी मी  
 मी मी मी  
 Certified as correct copy  
 of drg. no. 49/06/01  
 M.P.

**STANDARD COPY**  
 L. Works Manager  
 25/11/2001

SCALE 1:1		DRAWN <i>[Signature]</i>		CHECKED <i>[Signature]</i>	
RIFLE 762 mm LP INSERT		DATE 09 10 2001		DATE 09 10 2001	
SMALL ARMS FACTORY, KANPUR.		APPROVED <i>[Signature]</i>		APPROVED <i>[Signature]</i>	
DRG. NO. SK-AR 12/1*		DATE 09 10 2001		DATE 09 10 2001	
SHEET 1 OF 1		DRAWN <i>[Signature]</i>		CHECKED <i>[Signature]</i>	
JWM/DDO		DATE 09 10 2001		DATE 09 10 2001	

**PROVISIONAL**

DC RFI NO    DATE    SIGN



उमाणित प्रति / CERTIFIED COPY OF  
 ड्राइंग / लेआउट / गेज शिड्यूल  
 DRG/LAYOUT/GAUGE SCHEDULE  
 दिनांक / AT THIS DATE. 24/2/17.  
 सी डी डी / CDD  
 राइफल फैक्टरी, ईशापुर  
 RIFLE FACTORY, ISHAPORE

**NOTE:- SAMPLE MUST BE APPROVED BEFORE BULK SUPPLY**

**MATERIAL : ALUMINIUM ALLOY IS: 737-2008, 64430(H30)**

- NOTE :- 1. ALL DIMENSIONS ARE IN mm**  
**2. NO TOOL MARK IS ACCEPTABLE ON FINISH COMP.**  
**3. ALL UNTOLERATED DIMENSIONS ARE TO BE STRICTLY MAINTAINED AS PER IS:2102 MEDIUM CLASS**

<b>INDIAN ORDNANCE FACTORIES</b> <b>RIFLE FACTORY</b> <b>ISHAPORE</b>	2017	NAME	DATE
	DESIGNED	M HAIT	22/2/17
	DRAWN		
	CHECKED		
	APPROVED		
<b>7.62mm ASSAULT RIFLE (GHAATAK)</b> <b>BUTT PLATE</b>	SCALE 1:1 	<b>DRAWING NO.</b> <b>SK-AR 12/2-RFI</b>	
		SHEET - 1	OF - 1