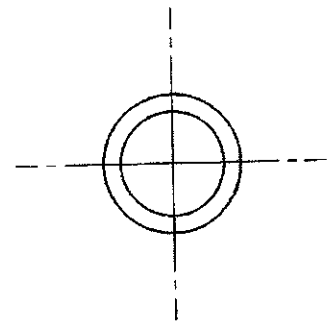
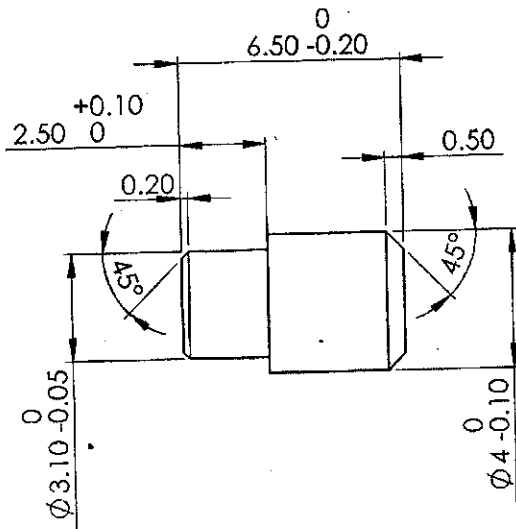
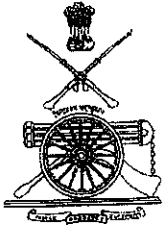


DRG NO.

DIMENSIONS ARE IN mm.

UNTOLERATED DIMNS. AS PER IS : 2102 (MED)

MARK DRAWING No.



18/04/18
[Signature]

UN CONTROLLED COPY

Material :

Steel

BS:970 Pt.1 1983 Sec.3 Gr.080 M40 (or) EN8, 8A,8B, 8C,8D
BS:970 Pt.1 1983 Sec.3 Gr.070 M20 (or) EN3A,3C

Hardness: 170-250 HV

Protective Finish :

Phospating to Specn.

JSS: 0465-01-1994 Class II Oil Finish

AMENDMENTS	SIG. & DATE		SIGNATURE & DATE.	SUB: Rivet Supporting Side FOR: Receiver Assy OF: TRICHY ASSAULT RIFLE DES.REF.NO. K-4014 DRG. No.: K-4014	SCALE NTS	
		TRACED			QPG 1	
		DRAWN			Weight (g) 0.53	
		CHECKED			SHEETS: 1	
		OIC/D&DO	<i>P. Tark</i>		ORDNANCE FACTORY TIRUCHIRAPPALLI-16.	SHEET No.: 1
		OFFICER/ PRODN.				
DIV.OFFICER/ D&DO	<i>Ge. Kumar</i>	APPROVED ON. 18/04/2018.				