

1

2

3

4

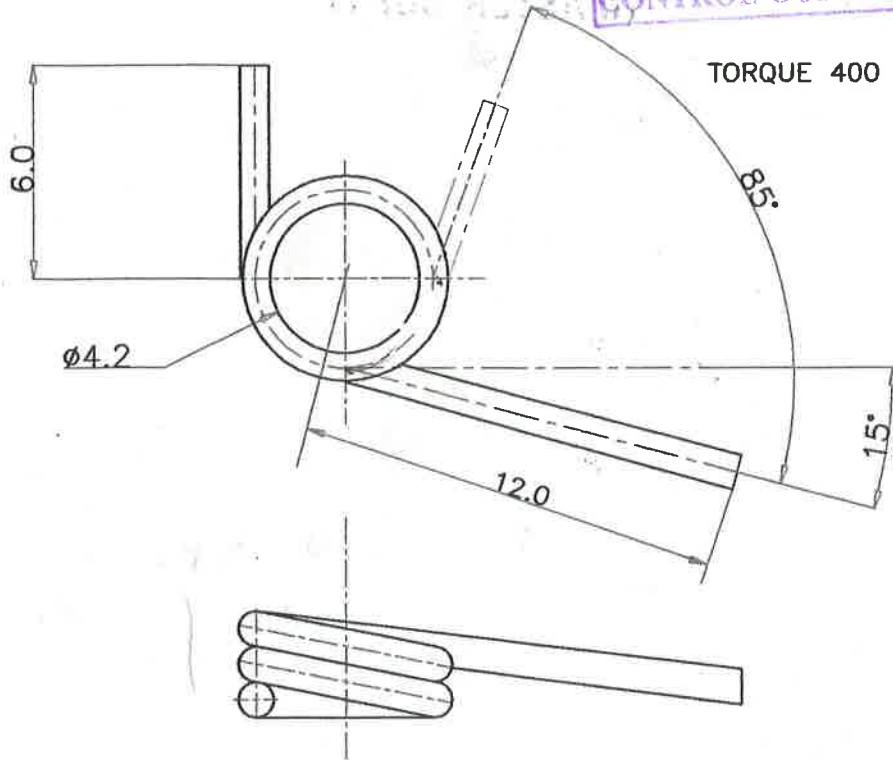
26

DRG.No. 0 2 0 4 0 3 0 2 0 0 1 0 0 6 0 0 X A
 IC SS S AA A C SST

GEN TOL FINE/MEDIUM/COARSE DRG CONVENTIONS CONFIRM TO INDIAN STD CLASS TO IS:2102 DIMN IN mm UNLESS OTHERWISE STATED

CONTROL COPY No. 1

TORQUE 400 Nmm Min



NOTES :

- 1) STRESS TO BE RELIEVED
- 2) WIRE DIA : 1.0
- 3) MEAN COIL DIA : 5.2
- 4) NO. OFF EFFECTIVE COILS : 2

Received on 29/11/15

S No	DATE	AUTHORITY	BRIEF RECORD	ZONE	CD	GO
DRN	EMJ	CHD	MATERIAL		SIGN	
APPD	DATE 26/04/2011	For Director	STEEL WIRE TO IS:4454 (Pt-1) 2001. DH			
SEALED	DATE		PROTECTIVE FINISH			
SCALE 5:1	EST MASS		PHOSPHATED TO SPECN. IS:3618-1966, CLASS 'B'			
DESIGN AUTHORITY	ARDE	PUNE 411021	TITLE			
			SPRING COCKING HANDLE			

DRG.No. 0 2 0 4 0 3 0 2 0 0 1 0 0 9 0 0 X A
 IC SS S AA A C SST

PART No DS CAT No AHSP

1

2

3

4