

SECTION A-A

3D VIEW

PROVISIONAL

- \* MATERIAL: FRP MATERIAL TO IS: 11551-86  
 # Ø 7 HOLES WILL BE DRILLED AT THE TIME OF ASSY.
- NOTE:
1. ALL DIMENSIONS ARE IN mm.
  2. UNSPECIFIED LIMIT DEVIATIONS ARE ±0.5mm
  3. BLACK PAINT MAT FINISH TO BE APPLIED.
  2. SAMPLE TO BE APPROVED BEFORE BULKSUPPLY/PRODUCTION.

ITEM	DESCRIPTION	NO. OFF MATL.	AS SHOWN	TREAT / SIZE	REMARKS
1	FRP MUD GUARD COVER FRONT(LH)	01	*		
<p>ALTERNATE APPLICABLE</p> <p>DD/RD</p> <p>JWM/RD</p> <p>CRD.</p>					
<p>REF. DRG. NO.</p> <p>REPLACED BY</p> <p>DATE</p> <p>SCALE</p>					
<p>REPLACEMENT FOR</p> <p>DRG. NO. 6159-47-41</p> <p>SHT</p>					

DIMS.	TOL.	INDEX	ALTERATION	SIGN.	DATE
0-30	±0.1				
30-250	±0.2				
250-800	±0.3				
800-2000	±0.5				
>2000	±0.8				

RD

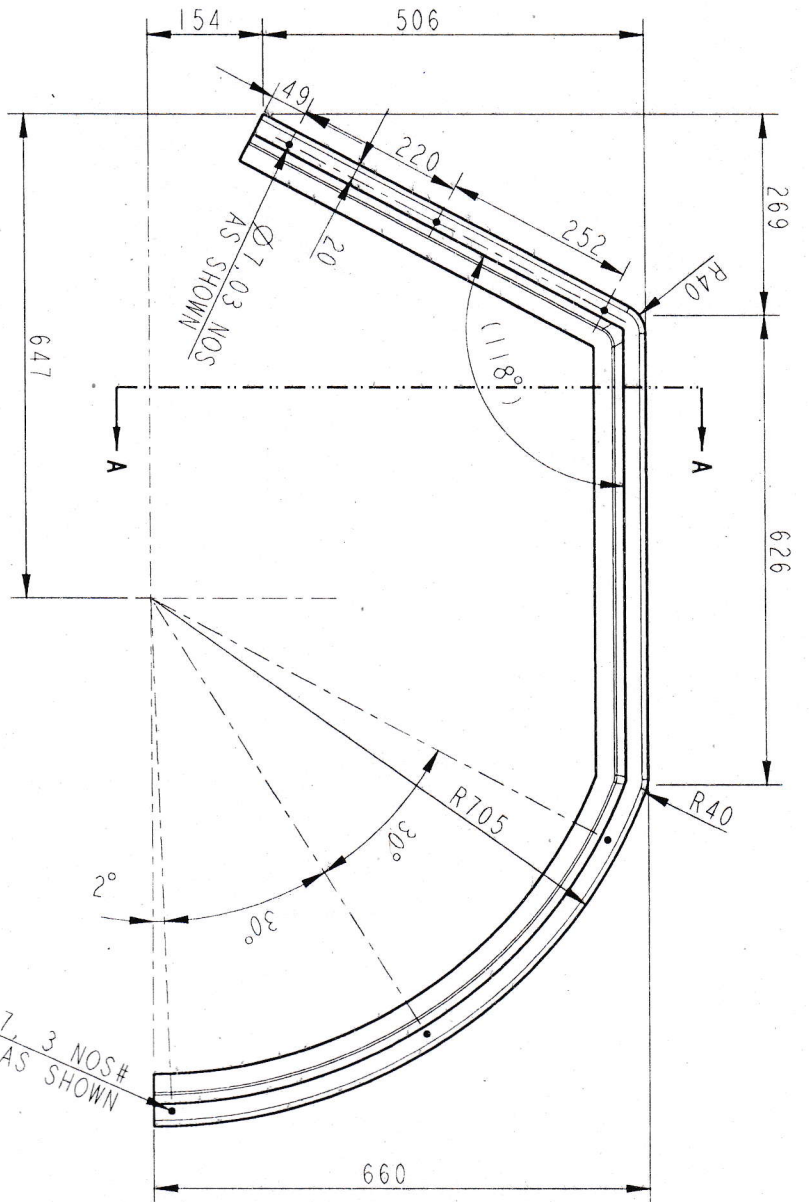
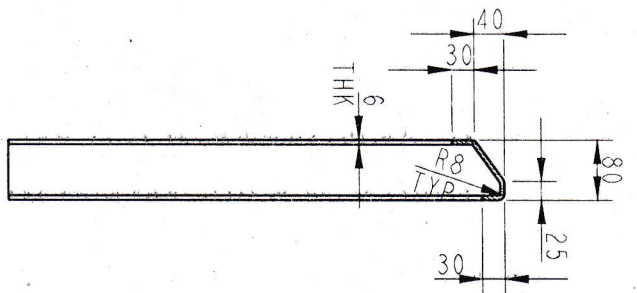
VEHICLE FACTORY JABALPUR

FRP MUD GUARD COVER FRONT (LH)

RD

VEHICLE FACTORY JABALPUR

SECTION A-A



Ø7, 3 NOS#  
PCR R685 AS SHOWN

PROVISIONAL

\* MATERIAL: FRP MATERIAL TO IS: 11551-86  
# Ø7 HOLES WILL BE DRILLED AT THE TIME OF ASSY.

NOTE:

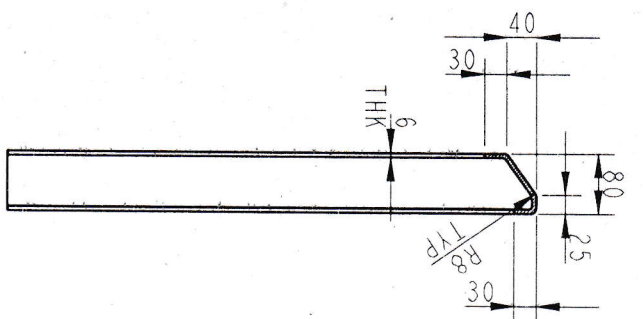
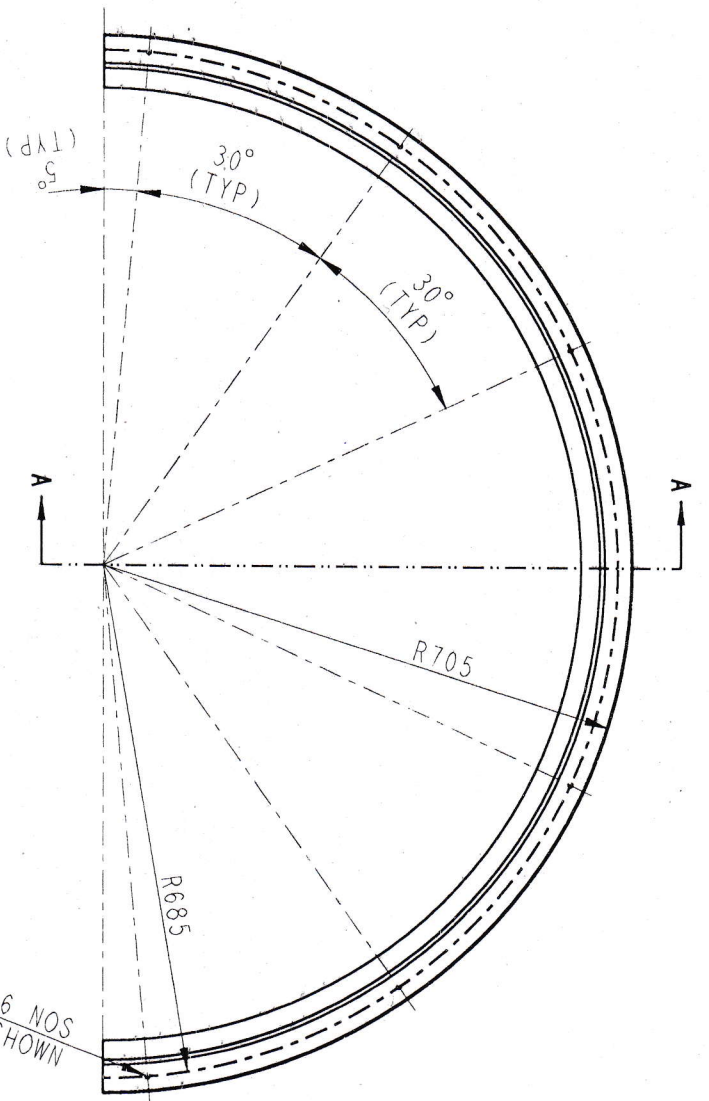
1. ALL DIMENSIONS ARE IN mm.
2. UNSPECIFIED LIMIT DEVIATIONS ARE ±0.5mm.
3. BLACK PAINT MAT FINISH TO BE APPLIED.
2. SAMPLE TO BE APPROVED BEFORE SIGN OFF/PRODUCTION.

RD	VEHICLE FACTORY JABALPUR	DRG. NO. 6160-47-41	S.P.I
INDEX	ALTERATION	SIGN.	DATE
DIMS. TOL.			
0-30 ±0.1			
30-250 ±0.2			
250-800 ±0.3			
800-2000 ±0.5			
>2000 ±0.8			
GEN. TOL.			
1	FRP MUD GUARD COVER FRONT(RH)	01	*
ITEM	DESCRIPTION	NO. OF MAT.	AS SHOWN
			TREAT./SIZE
			REMARKS
			DD/RD
			JWW/RD
			DRN
			CKD
			SCALE
			DATE
			REPLACEMENT FOR
			DRG. NO. 6160-47-41

FRP MUD GUARD  
COVER FRONT  
(RH)

REPLACED BY  
DATE

1/1



SECTION A-A

PROVISIONAL

- \* MATERIAL: FRP MATERIAL TO IS: 11551-86
- # Ø7 HOLES WILL BE DRILLED AT THE TIME OF ASSY.

NOTE:

1. ALL DIMENSIONS ARE IN mm.
2. UNSPECIFIED LIMIT DEVIATIONS ARE ±0.5mm.
3. BLACK PAINT MAT FINISH TO BE APPLIED.
2. SAMPLE TO BE APPROVED BEFORE BULKSUPPLY/PRODUCTION.

#Ø7, 06 NOS  
PCR R685, AS SHOWN

ITEM	FRP MUD GUARD COVER REAR	NO. OFF MATL.	02	TREAT./SIZE	AS SHOWN	REMARKS
INDEX	ALTERATION	SIGN.	DATE	MODEL	DD/RD	JWM/RD
DIMS. TOL.				NOTE APPLICABLE	DRN.	CAD.
0-30	±0.1					
30-250	±0.2					
250-800	±0.3					
800-2000	±0.5					
>2000	±0.8					
GEN. TOL.						
RD	VEHICLE FACTORY JABALPUR		REPLACEMENT FOR		DRG. NO.	6161-47-71
	FRP MUD GUARD COVER REAR		REPLACED BY		DATE	