

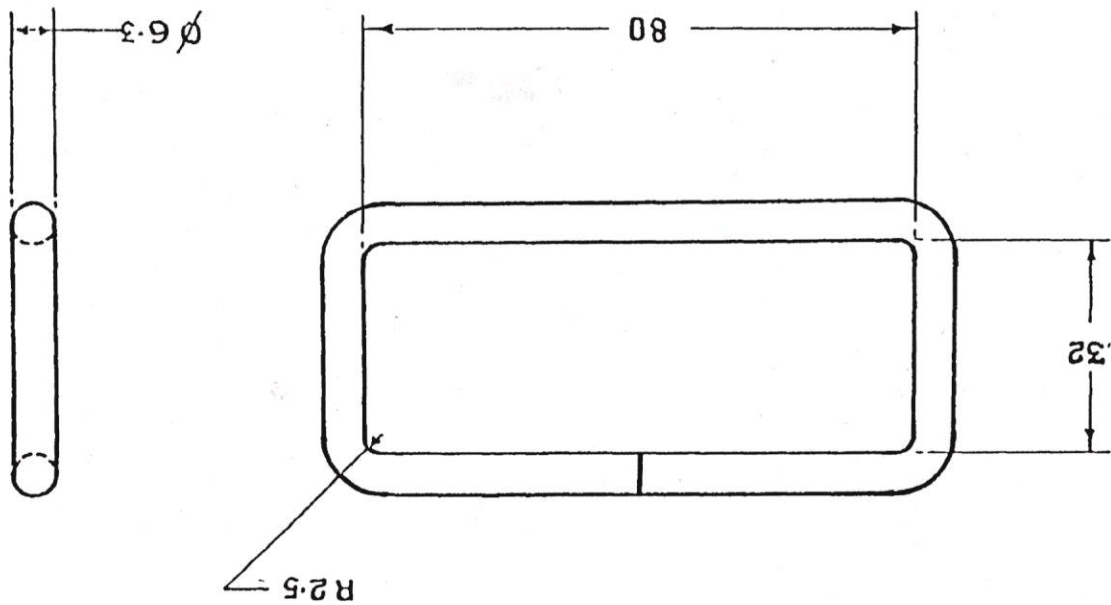
D. C. (1)-1063-I(P); 4615-I, 5774-I, 5839-I, 6200-I, 6772-I.

POLYESTER NEGATIVE PREPARED AT COA(I) D DUN
 PREPARED BY: *[Signature]*
 CHECKED BY: *[Signature]* DATE: 7/18/95

HANDLE, BAIL

TITLE		SYN	
D.C. - 6772-I. NEW COPY SEALED		IN SUPERSESSION OF DILAPIDATED ONE.	
D.C. - 6200-I.		NOM. AMEND. CAT/PTR. ADDED.	
FINISH AMENDED.		D.C. - 5839-I.	
D.C. 5774-I POLY NEG. PREP. & NEW COPY SEALED		IN REPLACEMENT OF EXISTING ONE	
D.C. (1) - 4615-I.		DRG. SEALED.	
D.C. (1) - 1063-I(P).		DRG. PROV. SEALED	
AMENDMENTS		CHKD	SIG
DATE	BASED ON	DATE	USED ON
12.1.06		14.12.81	
		25.8.87	
		9.10.93	
		8.4.94	
		9.7.97	
		12.1.06	
MATERIAL SPECN		CAT	
STEEL IS: 4432 - C 10		5340-013673	
FINISH		DRC	
APPLY PRIMER TO IS: 2074. 1962 AND REPAIR SURFACES.		IRDE 1613/5	
TO IS: 5-1978		SCALE	
		1:1	
		SHT. OF	

CONTROLLED COPY
 Copy No.
 Date of Issue 19.11.16



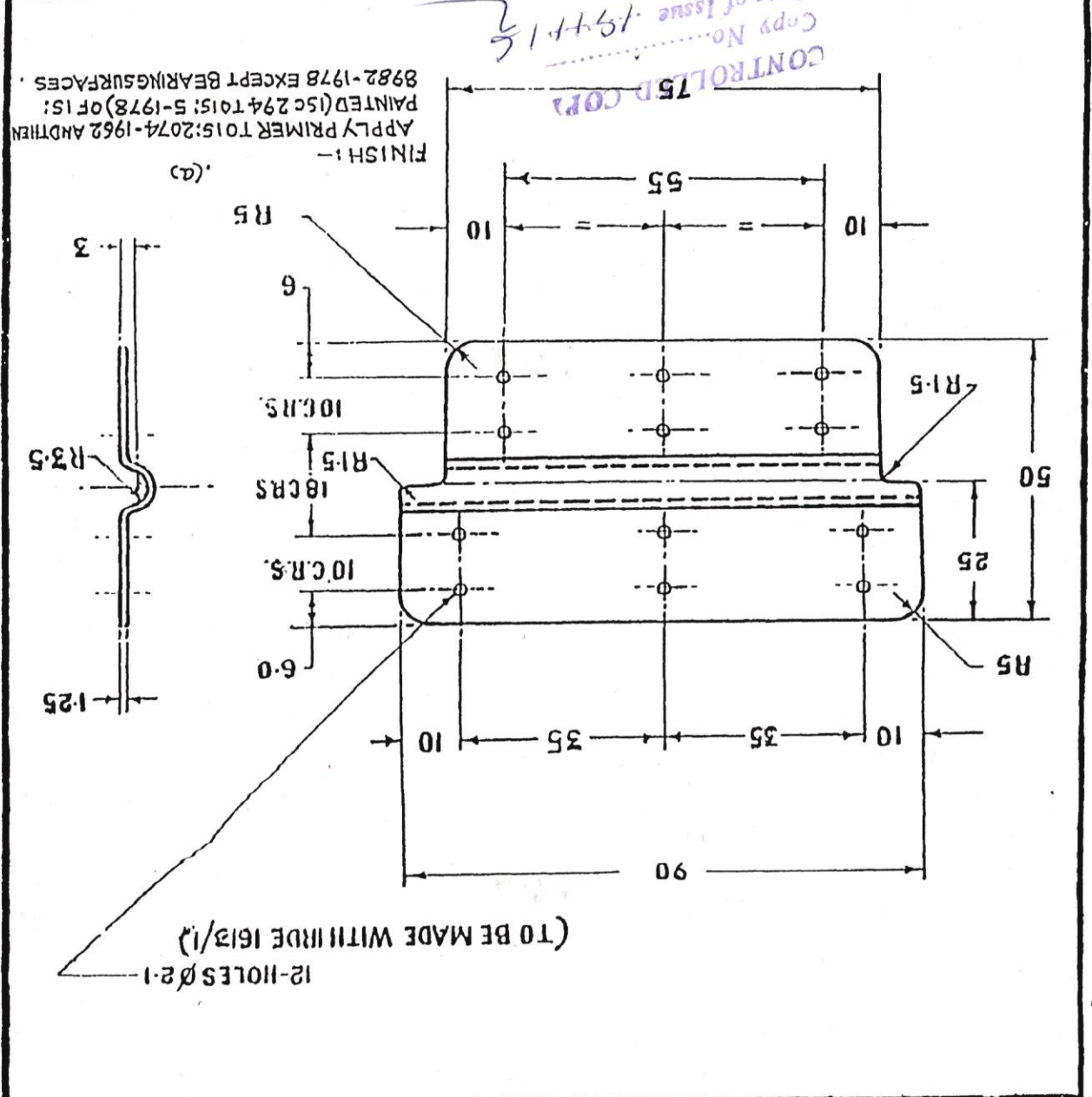
FOR EXPLANATION OF DIMENSIONING ETC. SEE COA(I) GUIDE NO. 001-1992
 THIRD ANGLE PROJECTION
 DIMENSIONS ARE IN MILLIMETRES.

16

D.C.(1)-1063-I(P), 4615-I, 5774-I, 5839-I.

POLYESTER NEGATIVE PREPARED AT COA(I) D 531
PREPARED BY: [Signature]
CHECKED BY: [Signature] DATE: - 1 | X | 75

TITLE PLATE		FINISH TO BE PAINTED WITH ISC No. 220, 0615-108	
MATERIAL SPECIFICATION M.S. IS: 1079, GD & O		SYMBOL	
AMENDMENTS		CHKD	SIG
DRG. (1)-1063-I(P) DRG. PROV. SEALED	1	✓	✓
DRG. SEALED D.C.(1)-4615-I	2	✓	✓
D.C.(1)-5774-I SEALED IN REPLACEMENT OF EXISTING ONE.	3	✓	✓
FINISH AMENDED. D.C.1-B839-I	4	✓	✓
DATE	CHKD	USED	DATE
14/28	✓	✓	14/28
25/88	✓	✓	25/88
9/10/95	✓	✓	9/10/95
8/4/94	✓	✓	8/4/94
DRN	TRCD	INDR. Dthra Due	APPROVED
[Signature]	[Signature]	[Signature]	[Signature]
INDR. Dthra Due	INDR. Dthra Due	INDR. Dthra Due	INDR. Dthra Due
Date: 1.8.80	Date: 1.8.80	Date: 1.8.80	Date: 1.8.80
SCALE 1:1	SHEET OF		



FOR EXPLANATION OF DIMENSIONING ETC., SEE COA(1) GUIDE NO. 001-1992
THIRD ANGLE PROJECTION
DIMENSIONS ARE IN MILLIMETRES.

11

D C (1) - 665-I(P), 4615-I, 5584-I, 5774-I, 5839-I, 5903-I.

POLYESTER NEGATIVE PREPARED AT COA(1) D DUN
 PREPARED BY *[Signature]*
 CHECKED BY *[Signature]* DATE - 7/18/93

TITLE (c)

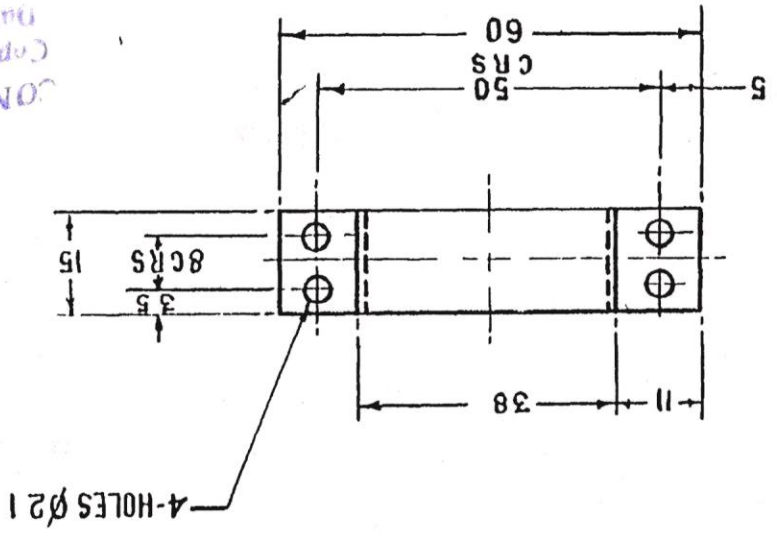
CLIP RETAINING

MATL SPEC: M S, IS 1079-BB-10 - 1988, GRADE O

FINISH: APPLY PRIMER TO IS 2074-1962 AND THE PAINTED SURFACES TO IS 5-1978) OF IS 8982-1978 EXCEPT BEARING SURFACES

SYM	AMENONMENTS	CHKD	SIG	DATE	BASED ON
	(c) D C - 5903 I NOM AMENDED & CAT/PT. NO. ADDED.			11/83	
	FINISH AMENDED (D C - 5839-I)			8494	
	D C 5774-I POLY NEG PREP & NEW COPY SEALED IN REPLACEMENT OF EXISTING ONE			91093	
	(D C (1) - 5584-I MATL SPECN AMENDED			22892	
	D C (1) - 4615-J DRG SEALED			25882	
	D C (1) - 1063-I(P) DRG PROV SEALED			141281	

SCALE	1:1	SHT. OF	
DWG NO	IRDE1613/B		
PT No	5340-014216		
CAT			
ON			
USED			
CHKD			
TRCD			
DRN			
APPROVED			
for DIRECTOR			
IRDE Dohre Dun			
Date	18 80		



FOR EXPLANATION OF DIMENSIONING Etc. SEE COA(1) GUIDE NO 001-1992
 THIRD-ANGLE PROJECTION
 DIMENSIONS ARE IN MILLIMETRES

CONTROLLED COPY
 Copy No. 19-4416
 Date of Issue 1-7-44

12