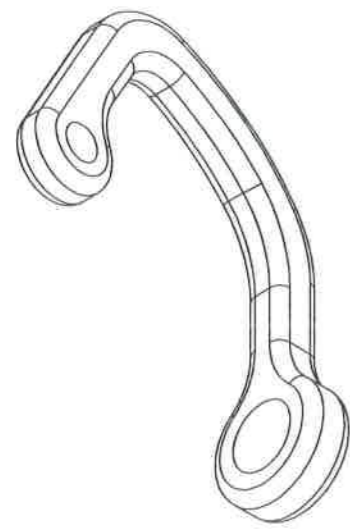
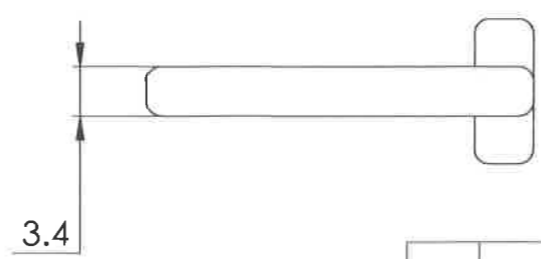
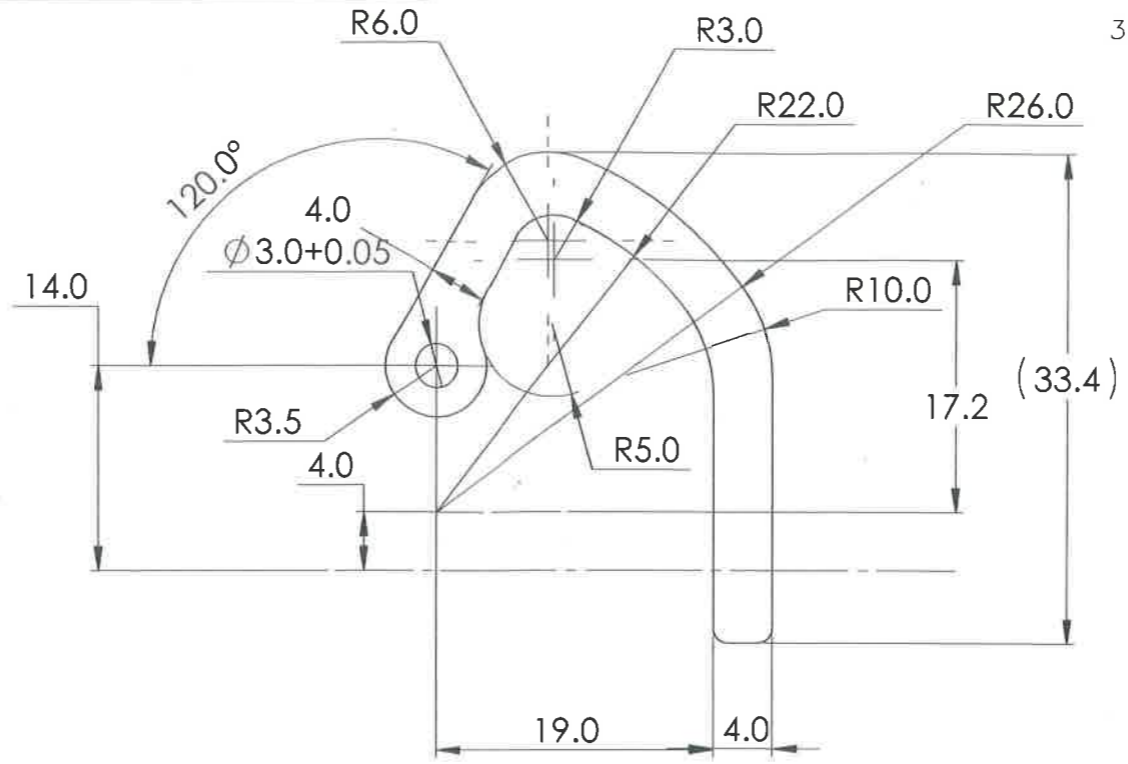
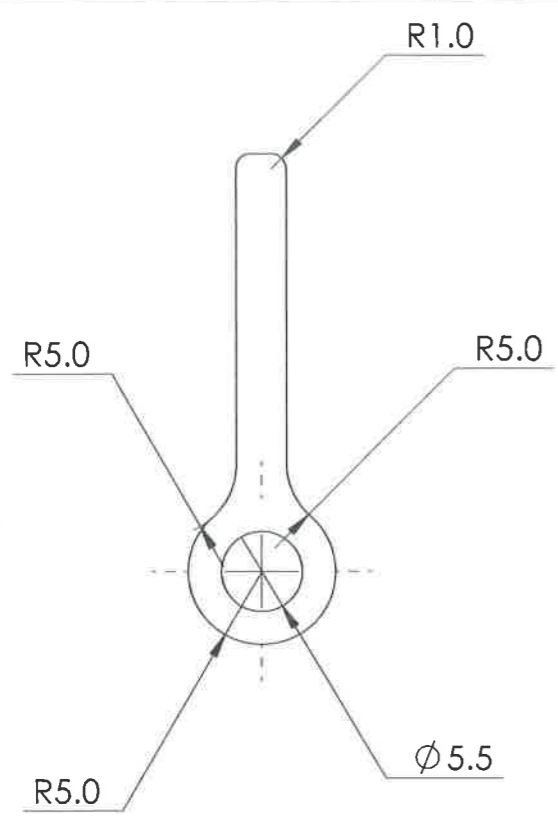


DRG NO 0204 04 03 00 02 001 00DA  
 IC SS S AA A C SST  
 GEN.TOL. ±0.2  
 DRAWING CONVENTION CONFIRM TO INDIAN STDS.  
 DIMN.IN mm UNLESS OTHERWISE STATED

**CONTROL COPY No.**

- NOTES:
- 1) REMOVE ALL SHARP EDGES AND BURRS.
  - 2) HARDNESS: 300-350HV
  - 3) ALT. PROTECTIVE FINISH: Ni-PTFE, 20µm THICKNESS.



R NO	DATE	AUTHORITY	BRIEF RECORD	ZONE	CD	GD
DRN	SD	CHD	MATERIAL	SIGN		
APPD	DATE	FOR DIRECTOR	STEEL TO IS: 5517:1993, Gd-40Ni6Cr4Mo3 (EN-24)			
SEALED	DATE		PROTECTIVE FINISH			
SCALE	EST MASS		PHOSPHATED TO SPECN IS:3618-1966, CLASS B			
DESIGN	AUTHORITY		TITLE			
ARDE			HINGE HOUSING HOOK SLING			
DRG NO	IC	SS	S	AA	A	C
0204	04	03	00	02	00	1
PART NO	DS CAT NO	AHSP				