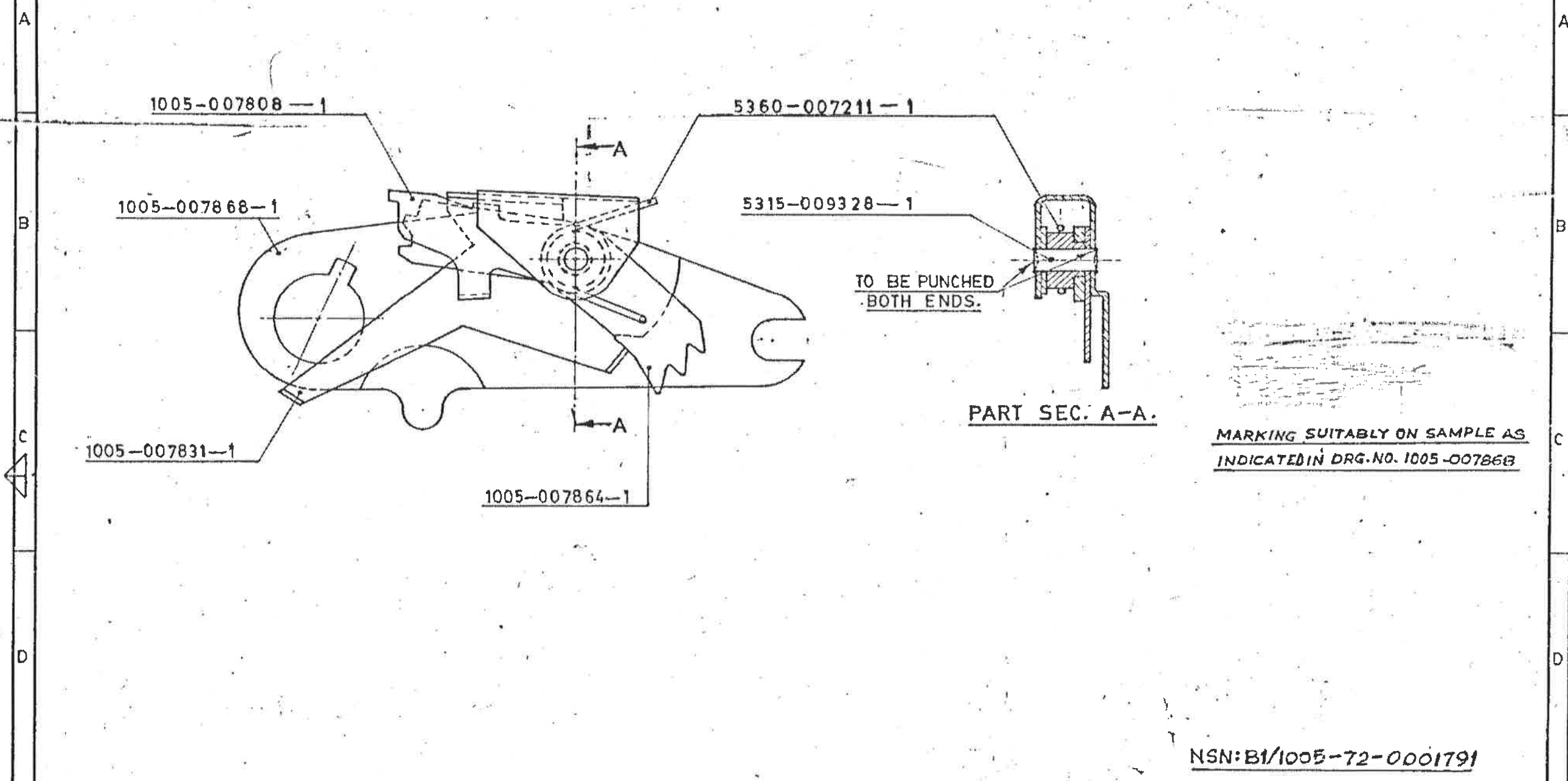


167700-9001

D.S.CAT. NO. 1005-007791

DRAWING CONVENTIONS CONFORM TO JSG: 0104.  
DIMNS. ARE IN mm. GEN. TOLERANCE 'MEDIUM' IS: 2102.



MARKING SUITABLY ON SAMPLE AS INDICATED IN DRG. NO. 1005-007868

NSN: B1/1005-72-0001791

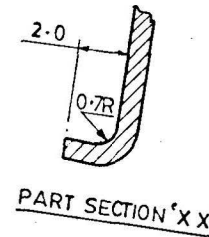
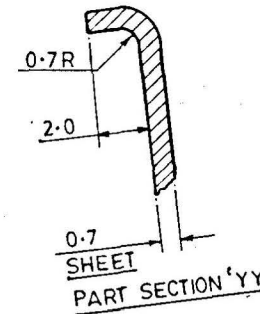
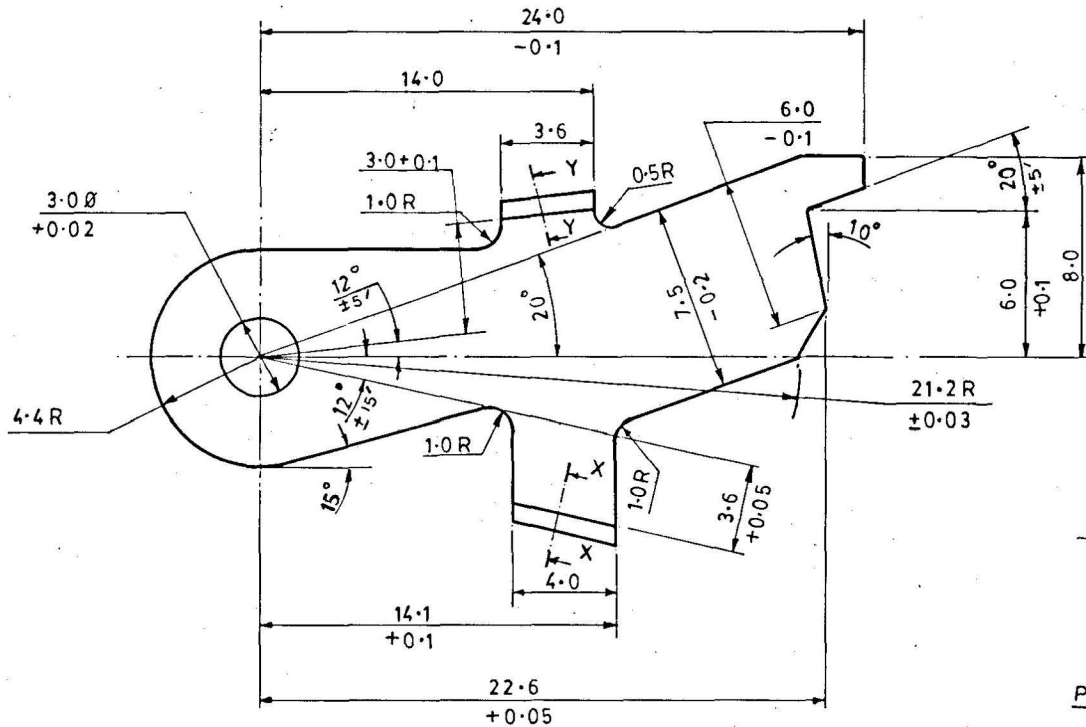
DATE		AUTHY.	BRIEF RECORD	ZONE	V/C; D.O.	G.O.	DRN.	CHD.	TRD: Ehande	COMP. Mbanhui	AHSP. CQA(SA), ICHAPUR
21.6.10	24514-SA	NSN ADDED					SCALE: -2:1		EST. MASS.		ASSY. 1005-007880
19-4-2003	25726-SA	MARKING NOTE AMENDED.					DT. 23-12-97	APPROVED. <i>Arul</i>	DT. 18.8.81	NEG. RE-TRACED	
13.3.2000	24660-SA	MARKING NOTE ADDED									
23.12.97	23993-SA	PROFORMA CHANGED, NEG. RE-TRACED AND DRG. PROV. RE-SEALED.									
		PREVIOUS D.C. NO. 23804-SA.									
DATE		AUTHY.	BRIEF RECORD	ZONE	V/C; D.O.	G.O.	H.T./HARDNESS:-		OGNR'S REF. ARDE SK.2689/74 NO. OF SHTS. 9 SH.1		
SEALED:-		PROV. D. C. 23804-SA,	DT. 4.4.97				SIGN.		PART NO.		
NOMENCLATURE:- UNIT, BURST CONTROL							PROTECTIVE FINISH:-		DRG. NO.		
									D.S.CAT. 1005-007791 NO.		

808700-001 D.S. CAT 1005-007808

DRAWING CONVENTIONS CONFORM TO JSG-0104  
DIMNS. ARE IN m.m. GEN. TOL. 'MEDIUM' IS : 2102

NOTE :-

TOLS. FOR ANGLES  $\pm 30'$  UNLESS OTHERWISE STATED.



NSN: B1/1005-72-0000808

15.9.16	26942-SA	MATERIAL AMENDED		DRN.	CHD.	TRD: <i>S. Chosh</i>	COMP: <i>M. Baner</i>	AHSP CQA(SA), CHAPUR
12.7.10	26521-SA	NSN ADDED		SCALE :- 5:1		EST. MASS		ASSY. 1005-007791
5.5.03	25741-SA	MARKING NOTE DELETED.		DT. 04-11-97	<i>Anil</i>	APPROVED DT. 25.8.81		NEG. RE-TRACED
4-11-97	23950-SA	PROFORMA CHANGED, MARKING NOTE ADDED, NEG. RE-TRACED AND DRG. PROV. RE-SEALED.				MATERIAL :- IS: 7226-1974 DESIGNATION C-80		DGNR'S ARDE SK. 2689/74 REF. 9 SHTS. SH. 4
		PREVIOUS D.C. NO. 23794-SA.						PART NO.
DATE AUTHY.		BRIEF RECORD	ZONE	1/C;D0	G.O.	H.V HARDNESS :- 450 TO 525 HV.		DRG. NO.
SEALED :- PROV. D.C. NO. 23794-SA, DT. 1.4.97			SIGN.			PROTECTIVE FINISH :-	PHOSPHATED TO SPECN. JSS: 0465-01: 1988 CLASS II (ACCELERATED), OIL FINISH.	D.S. CAT. NO. 1005-007808
NOMENCLATURE :-			PLATE, RATCHET WHEEL					

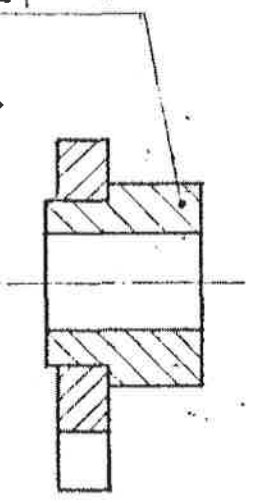
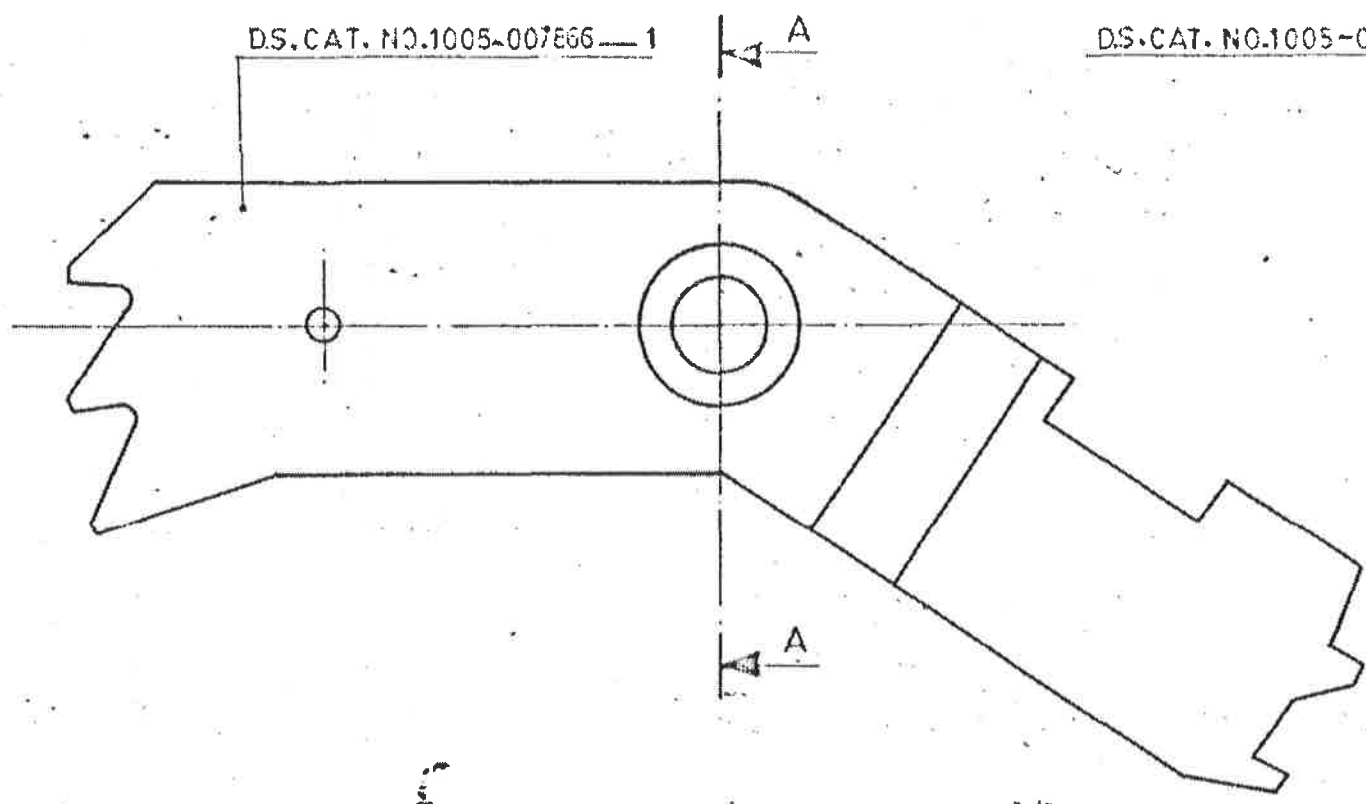


798700-9001  
DS.CAT. NO. 1005-007864

DRAWING CONVENTIONS CONFORM TO JSG-0104  
DIMNS. ARE IN mm. GEN. TOL. 'MEDIUM' IS: 2102

DS.CAT. NO. 1005-007866 — 1

DS.CAT. NO. 1005-007855 — 1



SECTION 'AA'

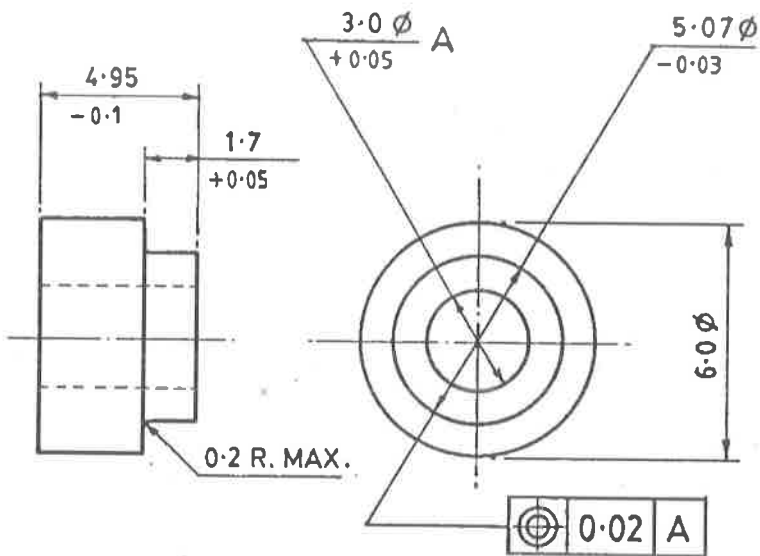
NSN: B1/1005-72-0000364

DATE		26-6-10	26516-SA	NSN ADDED	PROFORMA CHANGED, NEG. RE-TRACED AND DRG. PROCV. RE-SEALED.	AUTHY.	BRIEF RECORD	ZONE	I/C;D.O.	G.O.	TRD.	CHD.	TRD.	COMP.	AHSP CQA(SA), ICHAJR
SCALE :-		5:1									EST. MASS	APPROVED	DT. 30.11.84	ASSY. 1005-007791	
DATE		30.12.97	24008-SA	PREVIOUS D.C. NO. 23771 SA.	PROFORMA CHANGED, NEG. RE-TRACED AND DRG. PROCV. RE-SEALED.	AUTHY.	BRIEF RECORD	ZONE	I/C;D.O.	G.O.	DT. 30-12-92	1/C;D.O.	NEG. RE-TRACED		DGNR'S ARDE SK2689/74 REF. 9 SHTS. SHT. 9
DATE		30.12.97									COPY	COPY	MATERIAL :-	H.T./HARDNESS :-	
SEALING		SEALING :-		PROV. D.C. NO. 23771-SA, DT. 26.3.97		SIGN.		PROTECTIVE FINISH :-		DRG. NO.		DS.CAT. NO. 1005-007864			
NOMENCLATURE :- BUSH AND WHEEL ASSY.															

998700 - 5001

ON  
D.S. CAT.

DRAWING CONVENTIONS CONFORM TO JSG: 0104  
DIMNS. ARE IN mm. GEN. TOL. "MEDIUM" TO IS: 2102



NSN: B1/1005-72-0001865

06-9-16	26931-SA	MATERIAL AMENDED			
07-05-10	26500-SA	NSN ADDED			
5-5-2003	25741-SA	MARKING NOTE DELETED.			
30-4-98	24092-SA	PROFORMA CHANGED, MARKING NOTE ADDED, NEGATIVE RE-TRACED AND DRG. PROV. RE-SEALED.			
		PREVIOUS D.C. NOS 23713-SA & 23912-SA			
DATE.	AUTHY.	BRIEF RECORD	ZONE	I/C;DO	G.O.

SEALED;- PROV. D.C. NO. 23713-SA, DT. 6-3-97 SIGN.

DRN. CHD. TRD. *Agarwal* COMP. *Mbanani* AHSP. CQA(SA), ICHAPUR  
SCALE: 5:1 EST. MASS ASSY. D.S. CAT. NO. 1005-007864

DT. 30-4-98 *Anles* I/C;D.O. APPROVED DT. 19-8-81 (NEGATIVE RE-TRACED)

MATERIAL:- IS:5517-1993 DESIGNATION 42 Cr 4 Mo 2 LRS 63mm

H.T./HARDNESS:-

PROTECTIVE PHOSPHATED TO SPECN. JSS-0465-01-1988 CLASS-II (ACCELERATED), OIL FINISH

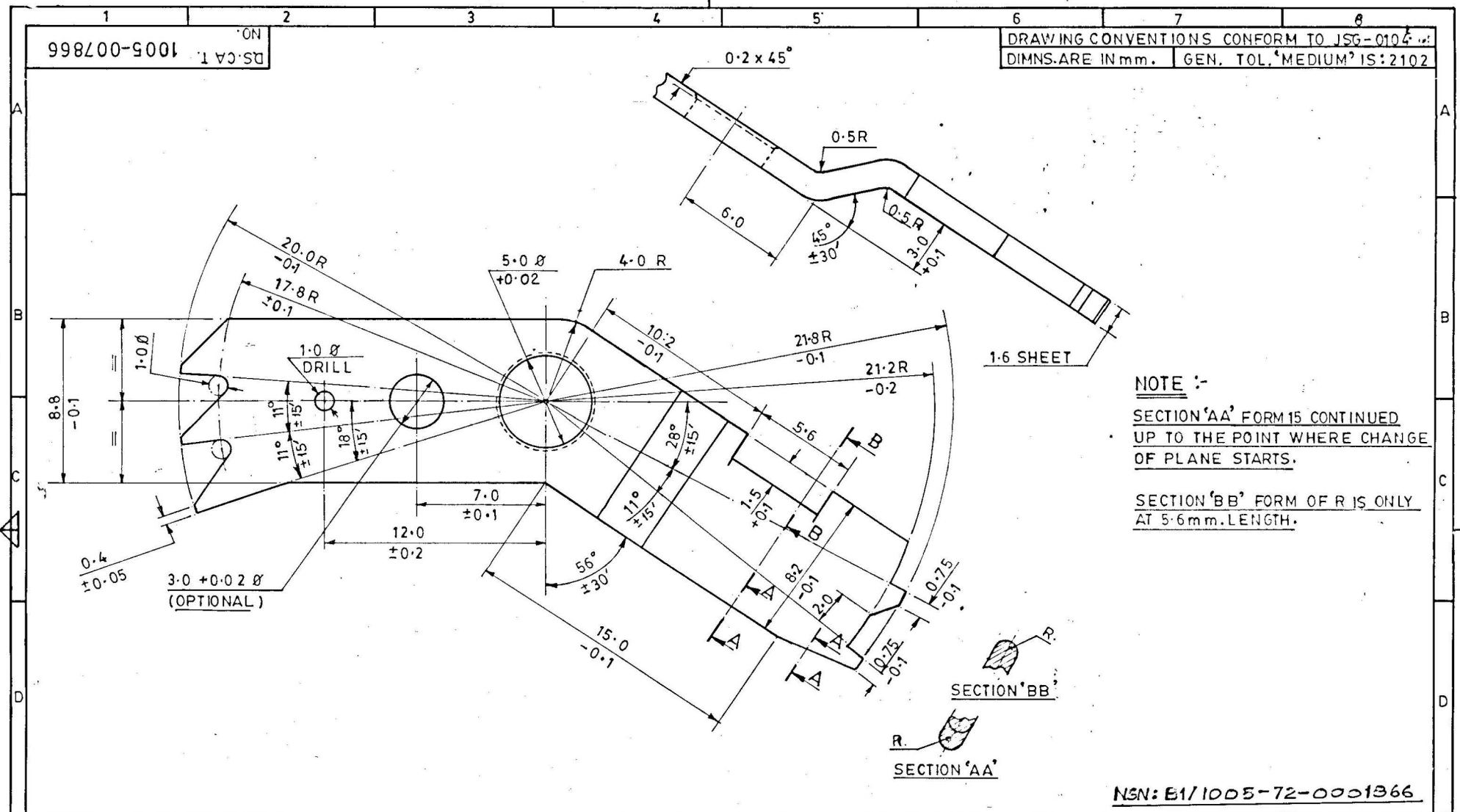
NOMENCLATURE:- BUSH

DGNR'S REF. ARDE SK-2689/74 9 SHTS. SMT. NO. 8.

PART NO. DRG. NO. D.S. CAT. NO. 1005-007865

DS.CAT. 1005-007866  
NO.

DRAWING CONVENTIONS CONFORM TO JSG-0104  
DIMNS.ARE INmm. GEN. TOL. 'MEDIUM' IS:2102



**NOTE :-**  
SECTION 'AA' FORM 15 CONTINUED  
UP TO THE POINT WHERE CHANGE  
OF PLANE STARTS.  
SECTION 'BB' FORM OF R IS ONLY  
AT 5.6mm. LENGTH.

NSN: B1/1005-72-0001366

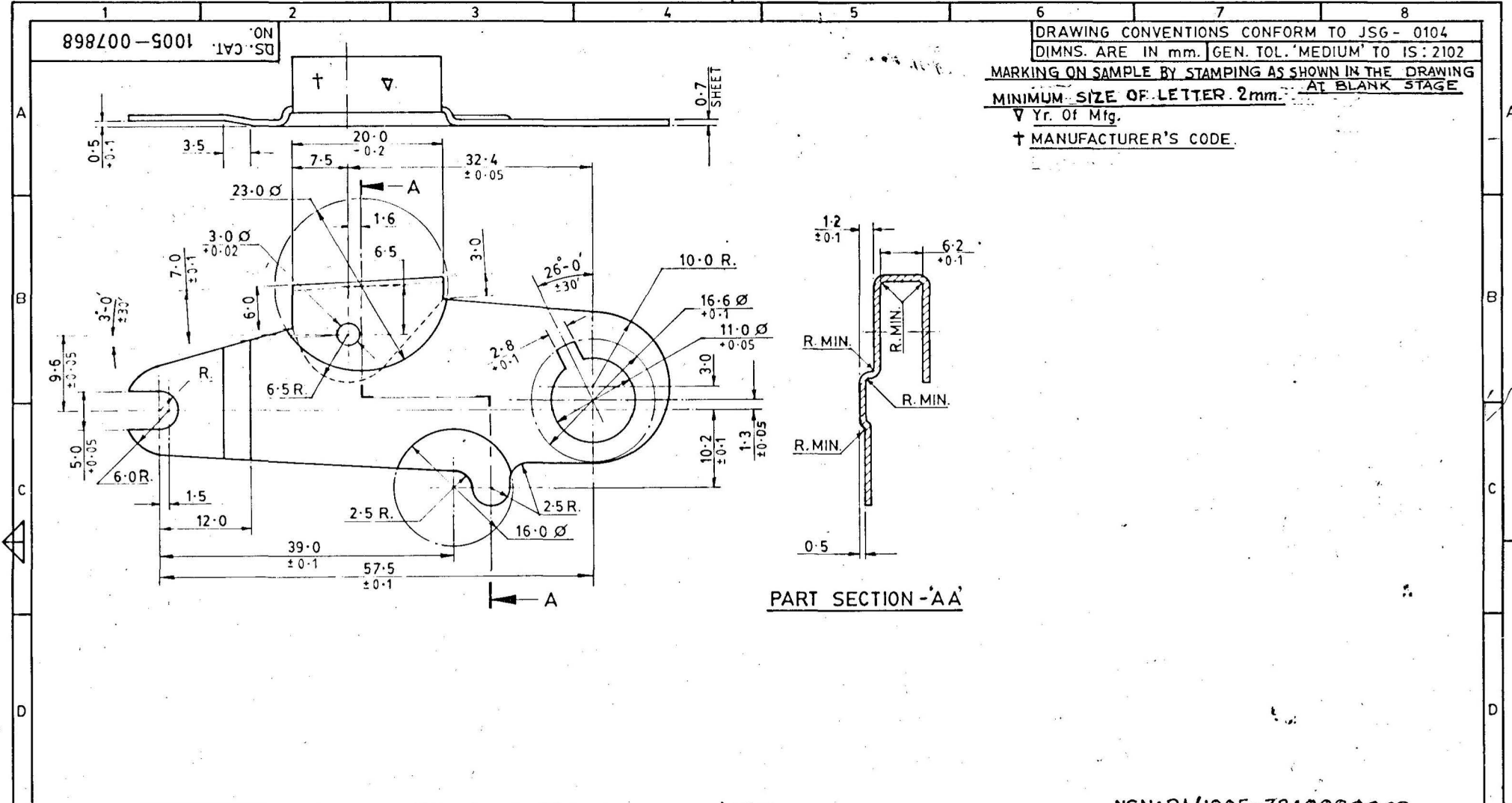
15.9.16	26942-SA	MATERIAL AMENDED		DRN.	CHD.	TRD. <i>Sulast</i>	COMP. <i>Barbis</i>	AHSP CQA (SA), ICHAPUR
6.7.10	26518-SA	NSN ADDED		SCALE :- 5:1		EST. MASS		ASSY. 1005-007864
5.5.03	25741-SA	MARKING NOTE DELETED.		DT. 24-12-97	<i>A. S. D.</i>	APPROVED DT. 12.7.86 NEG. RE-TRACED		
24.12.97	23998-SA	PROFORMA CHANGED, NEG. RE-TRACED, MARKING NOTE ADDED AND DRG. PROV. RE-SEALED.				MATERIAL :- IS:7226-1974 DESIGNATION C80		DONOR'S ARDE SK.2689/74 REF 9SHTS. SHT. 5
		PREVIOUS DC. NO. 23768-SA.				COPY		PART NO.
DATE AUTHY.		BRIEF RECORD	ZONE	I/C;D.O.	G.O.	H.T./HARDENED :- HARDENED & TEMPERED TO 450-525HV.		DRG. NO.
SEALED:- PROV. DC. NO. 23768-SA, DT. 26.3.97.				SIGN.		PROTECTIVE PHOSPHATE TO SPECN. JSS:0465-01:1988		DS. CAT.
NOMENCLATURE :- <b>WHEEL</b>						FINISH :- CLASS II (ACCELERATED), OIL FINISH.		NO. 1005-007866

898700-005  
DS. CAT. 1005-007868  
NO.

DRAWING CONVENTIONS CONFORM TO JSG-0104  
DIMNS. ARE IN mm. GEN. TOL. 'MEDIUM' TO IS: 2102

MARKING ON SAMPLE BY STAMPING AS SHOWN IN THE DRAWING  
MINIMUM SIZE OF LETTER 2mm. AT BLANK STAGE

▽ Yr. Of Mfg.  
† MANUFACTURER'S CODE.



PART SECTION-AA

NSN: B1/1005-72-0000868

07-9-16	26933-SA	MATERIAL AMENDED					
21-6-10	26516-SA	NSN ADDED			DRN.	CHD.	TRD. <i>Govaram</i>
31-7-2003	25831-SA	MARKING NOTE AMENDED.			SCALE: 2:1		COMP. <i>Mbarbui</i>
19-4-2003	25726-SA	MARKING NOTE AMENDED.			DT. 15-12-97	<i>Aula</i>	APPROVED, DT 18-5-88 (NEGATIVE RE-TRACED)
19-4-2001	24995-SA	SYMBOL '†' & 'Δ' ADDED.					
15-12-97	23984-SA	PROFORMA CHANGED, NOTE DELETED, MARKING NOTE ADDED, NEGATIVE RE-TRACED AND DRAWING PROVISIONALLY RE-SEALED. PREVIOUS D.C. NO. 23801-SA					
DATE	AUTHY.	BRIEF RECORD	ZONE	1/C;D.O.	G.O.	H.T./HARDNESS: HARDENED & TEMPERED TO 450-525 HV.	PART NO.
SEALED: PROVISIONALLY D.C. NO. 23801-SA, DT. 3-4-97					SIGN.	PROTECTIVE FINISH: PHOSPHATE TO SPECN. JSS:0465-01-1988 CLASS-II (ACCELERATED), OIL FINISH.	DRG. NO.
NOMENCLATURE: CHANNEL SUPPORTING							DS. CAT. 1005-007868 NO.

8ZE600-515

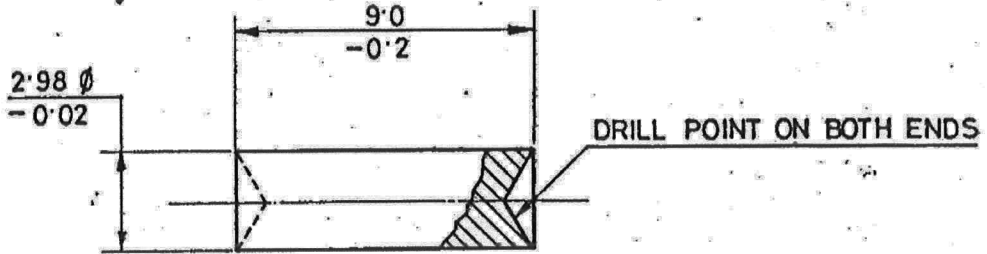
ON DRG. CONVENTIONS CONFORM TO JSG-0104  
 DIMNS. ARE IN mm. GEN. TOL. 'MEDIUM' IS: 2102

MARKING ON TAG.

Yr. Of Mfg.

MANUFACTURER'S CODE

D.S. CAT. NO.



NSN: B1/5315-72-0000328

C	07.09.16	26934-SA	MATERIAL AMENDED.				
	06-05-10	26499-SA	NSN ADDED				
	1-1-98	24012-SA	PROFORMA CHANGED, MARKING NOTE ADDED, NEG. RE-TRACED AND DRG. PROV. RE-SEALED.				
			PREVIOUS D.C. NOS. 23731-SA, 23904-SA.			COPY	COPY
	DATE	AUTHY.	BRIEF RECORD	ZONE	I/C; D.O.	G.O.	
	SEALED:- PROV. DC. NO. 23731-SA, DT. 13-3-97					SIGN.	
	DRN.	CHD.	TRD. <i>Bankur</i>	COMP. <i>Abanbui</i>	A HSP CQA(SA), ICHAPUR		
	SCALE:- 5:1		EST. MASS		ASSY. 1005-007791		
	DT. 01-01-98	<i>Arda</i> I/C; D.O.	APPROVED	DT. 24-9-92	NEG. RE-TRACED		
D	MATERIAL:- IS: 5517-1993, DESIGNATION 42Cr4 Mo2 LRS 63mm.						
	H.T./HARDNESS:-				DGNR'S REF. ARDE SK.2689/74 9 SHTS. SHT. NO. 7		
	PROTECTIVE PHOSPHATED TO SPECN. JSS-0465-01 FINISH :- -1988 (ACCELERATED), OIL FINISH.				PART NO.		
	NOMENCLATURE:- PIN, STRAIGHT HEADLESS AXIS CONTROL BURST				DRG. NO.		
					D.S. CAT. NO. 5315-009328		

2711 2426



