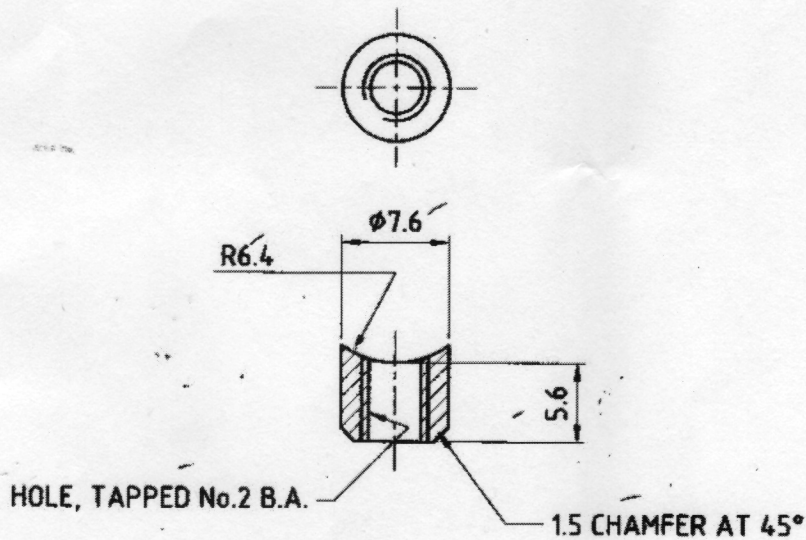


CHEST, SPARE PARTS, TOOLS & ACCESSORIES, 101C
CELL

DRG. No. :- CII-399/21 (SHT. No.3 OF 3)

MCT-3165

ORDNANCE FACTORY, DEHRADUN.



MATL. :- BRASS, BS:2874/CZ -122 M.
FINISH :- CLEANED.

NUT

FOR TRADE USE
Date of Issue 22/09/2011

ALL DIMENSIONS ARE MM.
IMPORTANT DIMENSIONS MARKED THUS ●
INFORMATION MARKED THUS † TO BE MARKED ON.

		DT.-22.09.2011	SCALE - 2:1
DR.- R.K.SHARMA		MATERIAL AS ABOVE	TREATMENT AS ABOVE
TR.-			
CH.- <i>JS</i>		SHTS.- 3	SHT. NO.- 3
APPROVED.		DRAWING No - <u>MCT-3165</u>	
<i>AWM</i>			
AMENDMENTS.	JWM/DO.		
OFD/DO/002			