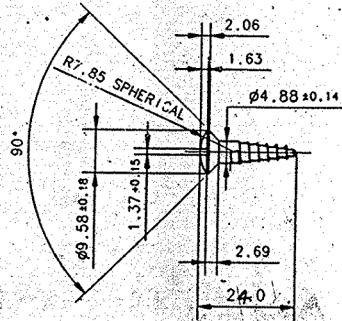


DRG. NO. SP-53


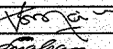
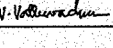
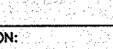
DIMENSIONS ARE IN mm.
 DIMENSIONS WITHIN () ARE IN INCH.
 INFORMATION MARKED THUS '†' TO BE MARKED ON
 UNTOLERATED DIMENSIONS AS PER IS. 2102 (MEDIUM)




NOTE :- SLOTTED RAISED CSK.HD.WOOD SCREW
No.10 04.88(0.192")X12 T.P.I. IS:6736-1972

MATERIAL :- BS 970 PT.3-1991 GR.070 M-20
COLD DRAWN

PROTECTIVE FINISH :- PHOSPHATE TO SPECN.WPN/GEN/3
CLASS II OIL FINISH
HEAD TO BE PAINTED TO SPECN.DEE/1407
WITH GLOSSY FINISH

PART NO.	DESCRIPTIONS	NO OFF	MATERIAL	TREATMENT	REMARKS
001/13 27/10/25/10	 SIGNATURE & DATE TRACED DRAWN CHECKED OIC/D&DO PROD. OFFICER DIV.OFFICER D&DO				SUB: <u>SCREW.</u> <u>CAP SLING (FRONT)</u> OF: <u>.315" SPORTING RIFLE</u> DES. REF. NO: <u>DS-CAT-NO-5305-005021</u> DRG. NO: <u>29P 0053 *3</u> SCALE 1:1 STORE DRG. NO. OPERATION NO.
D.A.NO. 8996/114/DDP/01 Dt. 29.5.09 D.A.NO. 8996/114/DDP/1/A Dt. 17/6/07	APPROVED ON:   				SHEETS: SHEET NO:


 ORDNANCE FACTORY
 TIRUCHIRAPALLI-16.