

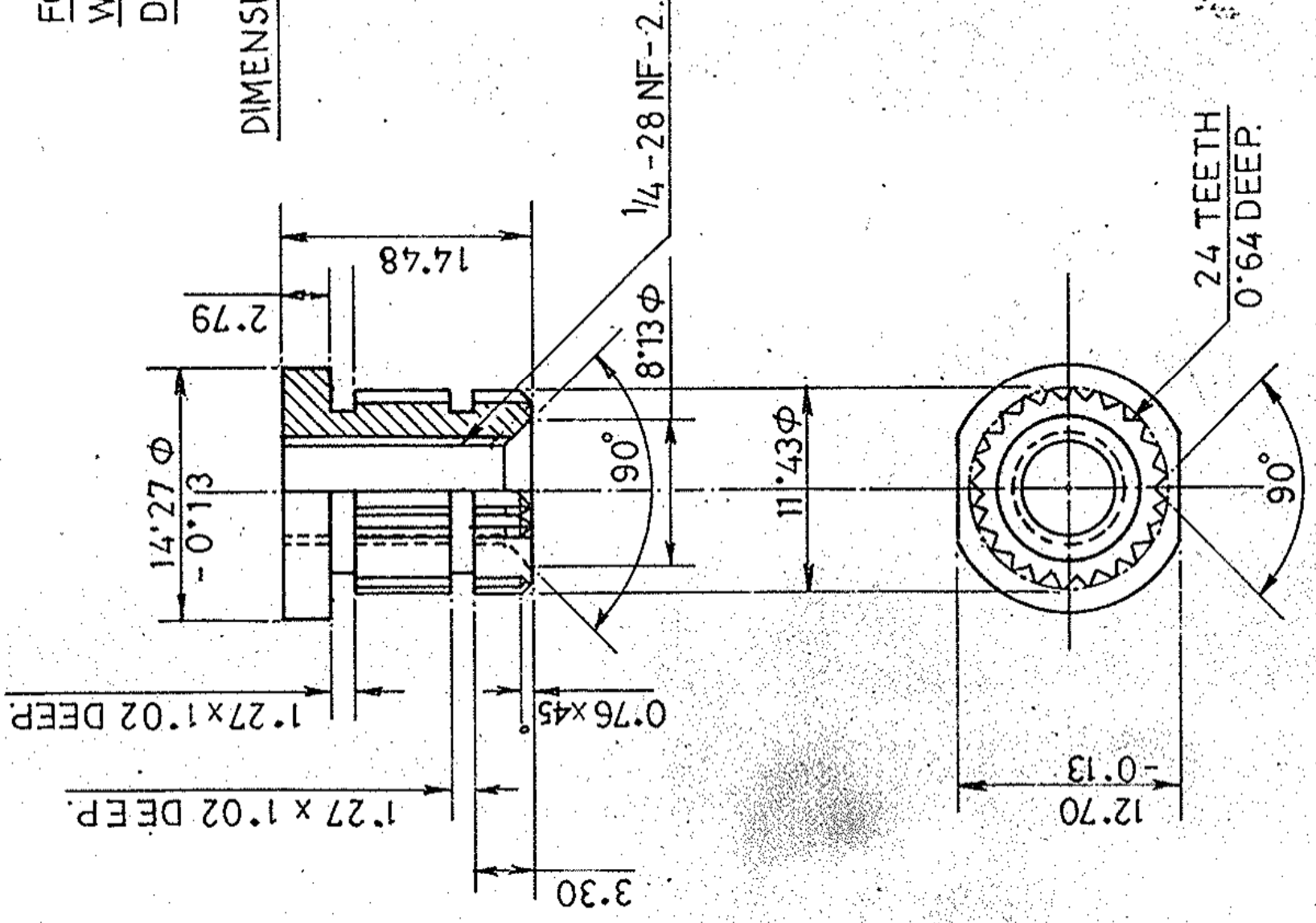
919100-5001

D.S. CAT. No.

DIMNS. ARE IN mm.

FOR EXPLANATION OF DETAILS  
WHEREVER NOT SPECIFIED REFER  
D.D. NOTE SHEET No.3 (LATEST ISSUE).

DIMENSIONS WITH ONE DECIMAL PLACE ±.4mm



ICR 1304

31-5-96	23345-SA	PROFORMA CHANGED, TOLERANCE NOTE & MATL. AMENDED. NEG. RE-TRACED & DRG. RE-SEALED.					
		PREVIOUS D.C. Nos. 11237-SA, 11270-SA, 14087-SA, 16076-SA 18532-SA, 22650-SA					
DATE	AUTHY.	BRIEF RECORD	ZONE	I/C:D.O	G.O.	SIGN	
SEALED:-	D.C. 11237-SA. DT. 17.4.72						
DRN	CHD.	TRD S.K.P. COMP. <i>Bomba</i>	ASSY.	1005 - 001614			
SCALE:-	2:1	EST. MASS.		1005 - 004030			
MFG./INSP. INSTRUCTIONS.							
DT. 31.5.96	<i>At 200</i>	APPROVED DT. 19-6-67. NEG. RETRACED					
	I/C: D.O.						
MATERIAL	STEEL B.S. 970 PT. I:1991 Gr.080 M30		A H S P	CQA(SA) ICHAPUR			
HT/HARDNESS			DG NR'S REF.	ARDE 657/268			
PROTECTIVE FINISH	PHOSPHATE TO SPECN. JSS:0465:01-1988, CLASS 1, OIL FINISH.		PART No.				
NOMENCLATURE	BUSHING PISTOL GRIP SCREW.		DRG. No.				
			D.S. CAT. No.	1005-001616			